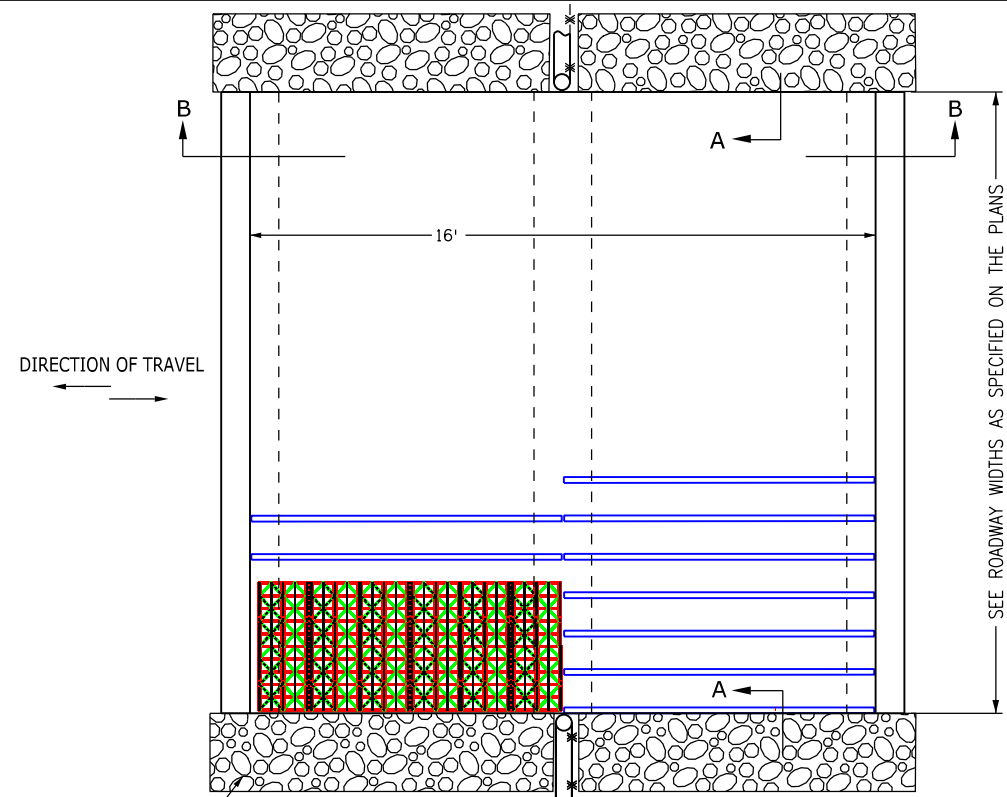
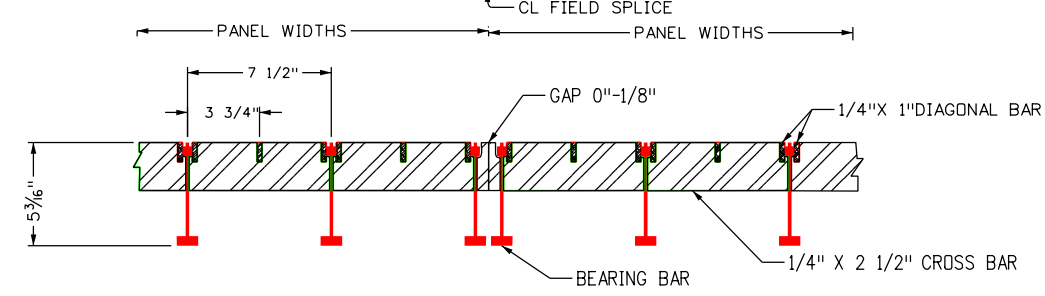
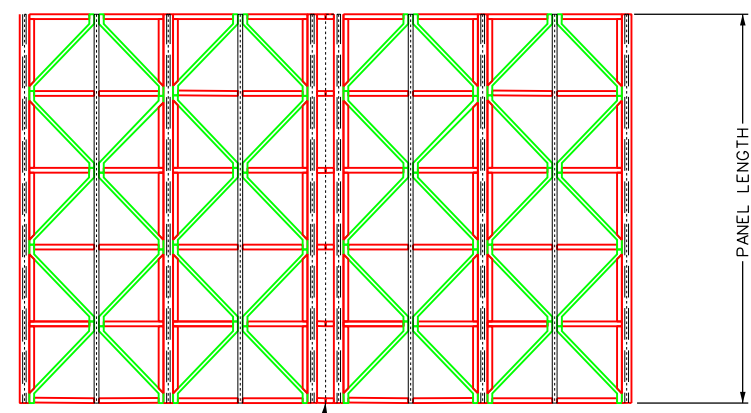


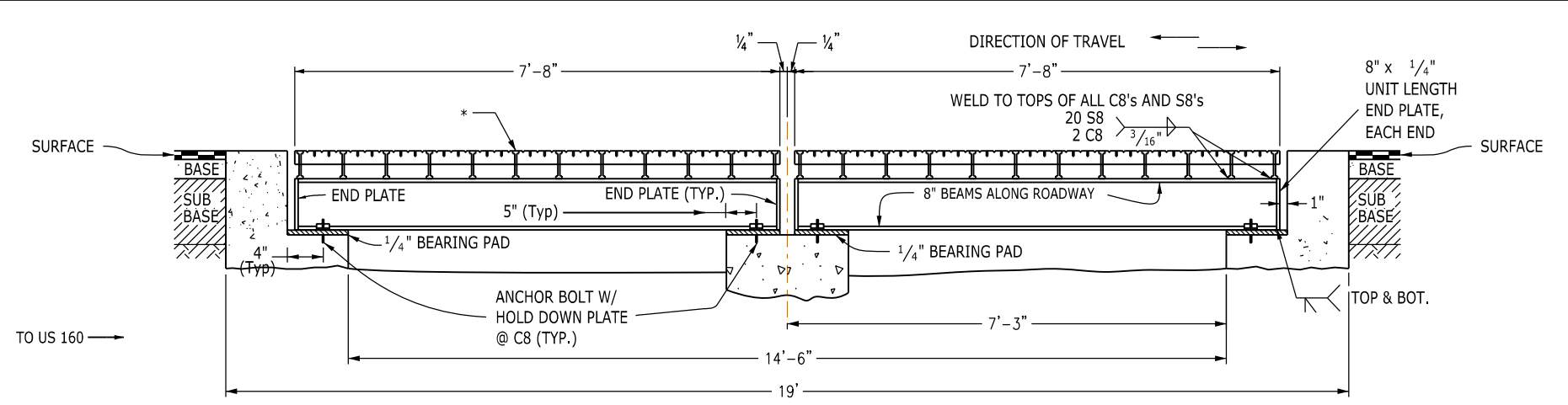
honanie1 9:29:00 AM C:\Users\honanie1\Desktop\Currus Folder\Deer Guard 04-16-18\019-020 DeerGuard (1 of 2).dgn



**TYPICAL DEER GUARD PLAN VIEW**

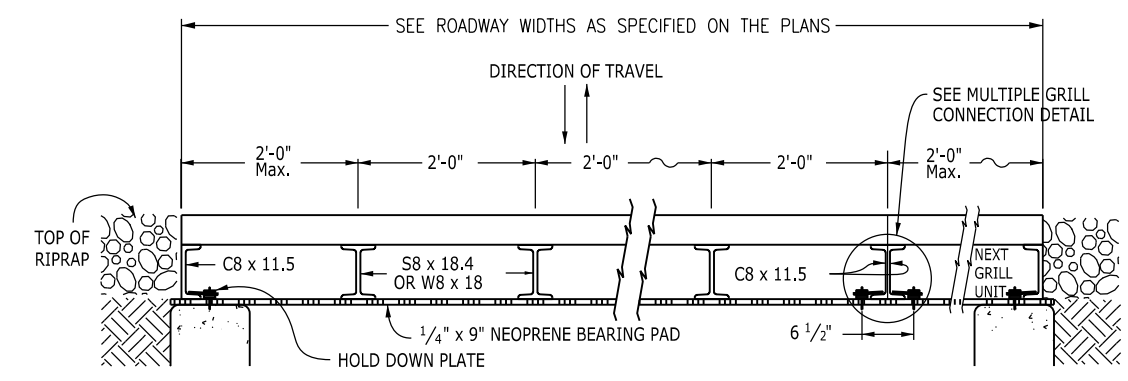


**TYPICAL DECKING DETAIL**

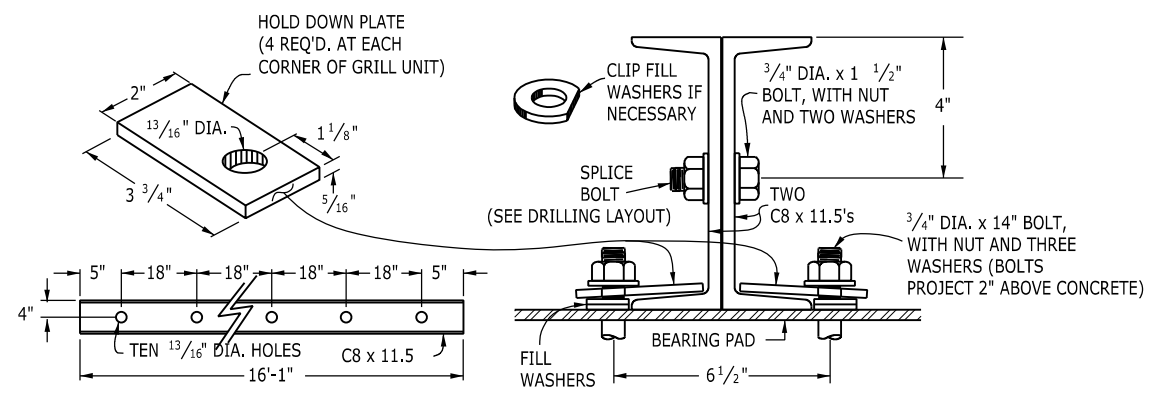


**SECTION B-B**

\* See general notes for deer guards, subset sheet 2 of 2.



**SECTION A-A**



**DRILLING LAYOUT**

**MULTIPLE GRILL UNIT CONNECTION**

Print Date: 4/16/2018	<b>Sheet Revisions</b>			Colorado Department of Transportation 3803 North Main Avenue Suite 108 Durango, CO 81301 Phone: 970-385-3621 FAX: 970-385-3635 Region 5	As Constructed	<b>DEER GUARD DETAILS</b>			Project No./Code
File Name: 019-020 DeerGuard (1 of 2).dgn	Date:	Comments	Init.			No Revisions:	Designer: SPC		Structure
Horiz. Scale: 1:1	Vert. Scale: As Noted			 DEPARTMENT OF TRANSPORTATION Region 5	Revised:	Detailer: SPC		Numbers	19410
Unit Information	Unit Leader Initials				Void:	Sheet Subset: deerguard	Subset Sheets:	1 of 2	Sheet Number