

ANTI-ICING SYSTEM PHASE I

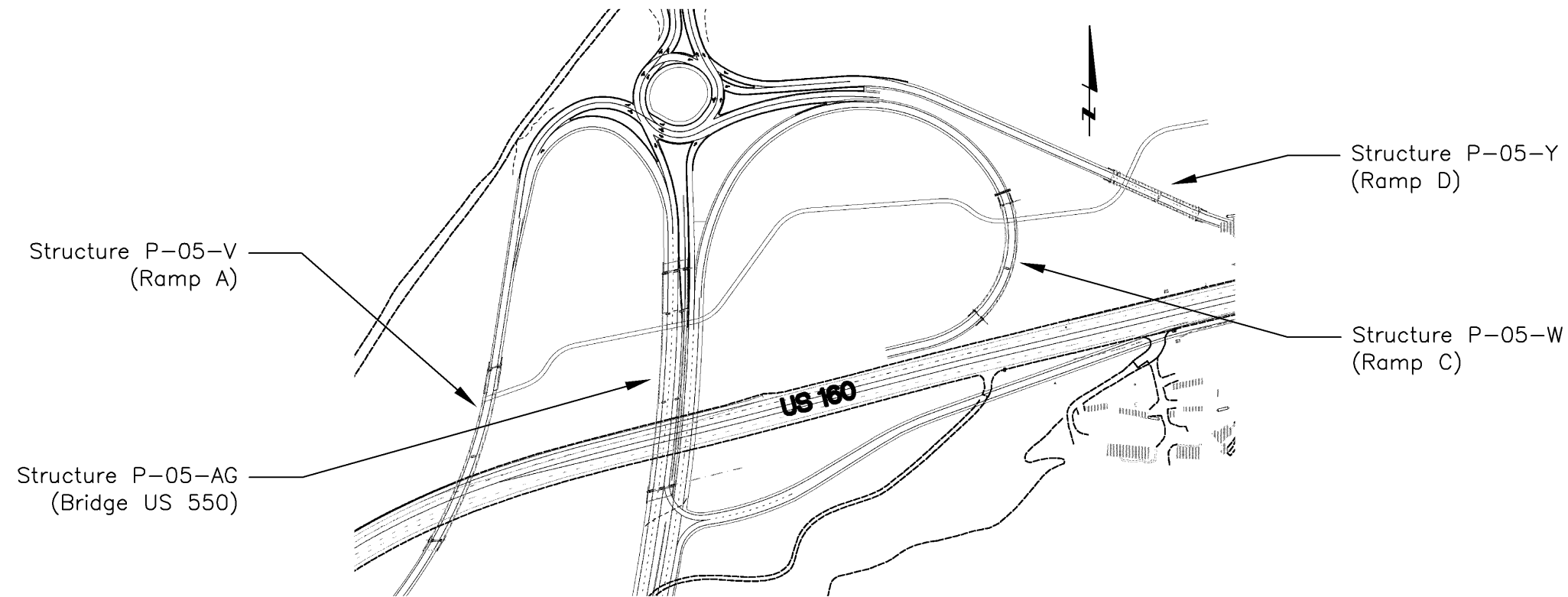
INDEX OF DRAWINGS

- AIS1 GENERAL NOTES
- AIS2 BRIDGE LAYOUT
- AIS3 BRIDGE CROSS SECTION
- AIS4 BRIDGE RAIL ELEVATION
- AIS5 SENSOR POLE ANCHORAGE

GENERAL NOTES

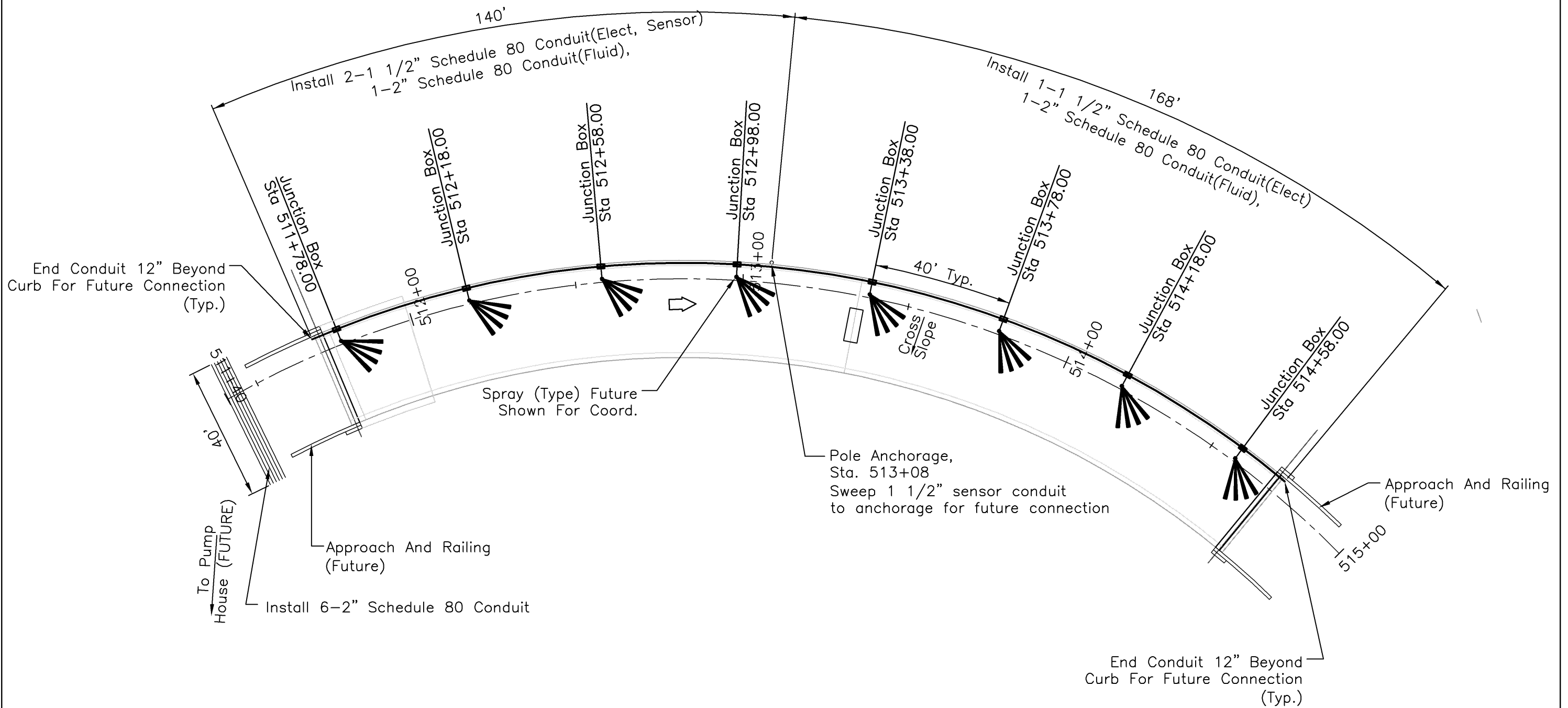
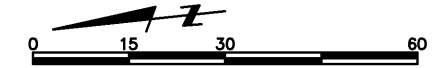
1. The Anti-Icing System Phase I construction drawings include information for the installation of the basic components and shall include conduits, junction boxes, and sensor anchorage to accommodate the future components of an operational system.
2. Conduit shall have a high point placed at the midpoint of the junction boxes to facilitate drainage of the conduits.
3. Spray nozzle and spray pattern on layout are for information only.
4. Unless otherwise indicated, junction boxes shall be placed on the upstream side of super elevation or normal cross slope.

Structure P-05-W RAMP C OVER WILSON GULCH RELEASED FOR CONSTRUCTION



Design		Detail		Quantities	
INITIAL	DATE	INITIAL	DATE	INITIAL	DATE
Designed By	07/08	RJK	07/08	Quantities By	XXX
Checked By	DDH	DDH	07/25	Checked By	XXX

Print Date: Wednesday, September 01, 2010		Sheet Revisions			Colorado Department of Transportation		As Constructed		Project No./Code	
File Name: 0208005.08P101-RAMP C.DWG		Date:	Comments	Init.	3803 North Main Avenue		No Revisions: 11/1/09		NH 1602-114	
Horiz. Scale: As Noted Vert. Scale: As Noted		<input checked="" type="checkbox"/>			Suite 200		Revised:		Designer: Daniel Hull Structure P-05-W	
Unit Information Unit Leader Initials		<input type="checkbox"/>			Durango, CO 81301		Void:		Detailer: Rick Keller Numbers	
Lamp, Rynearson & Associates, Inc. ENVIROTECH		<input type="checkbox"/>			Phone: 970-385-1440 FAX: 970-385-8365		Sheet Subset: Anti-Icing		Subset Sheets: AIS1 of AIS5	
Region 5 EJA		<input type="checkbox"/>							Sheet Number	



NOTE: See Bridge Cross Section For Junction Box Installation.

Design		Detail		Quantities	
INITIAL	DATE	INITIAL	DATE	INITIAL	DATE
JMH	07/08	RJK	07/08	XXX	MM/YY
DDH	07/25	DDH	07/25	XXX	MM/YY
Designed By	Detailed By	Checked By	Checked By	Quantities By	Checked By

Print Date: Wednesday, September 01, 2010	
File Name: 0208005.08P101-RAMP C.DWG	
Horiz. Scale: 1:30	Vert. Scale: As Noted
Unit Information	Unit Leader Initials

Sheet Revisions		
Date:	Comments	Init.
(R-X)		

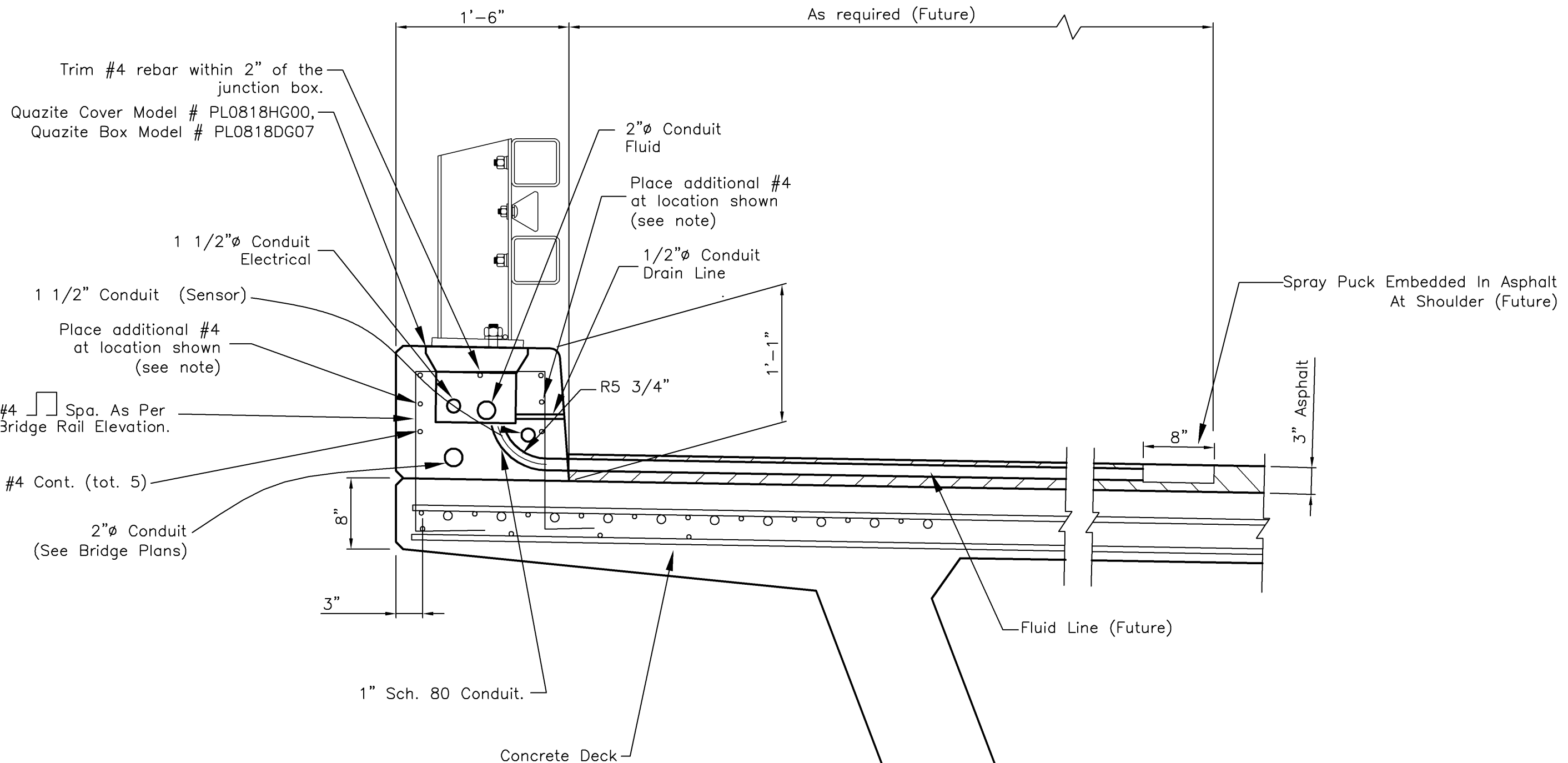
Colorado Department of Transportation
 3803 North Main Avenue
 Suite 200
 Durango, CO 81301
 Phone: 970-385-1440 FAX: 970-385-8365
 Region 5 EJA

As Constructed
No Revisions: 11/1/09
Revised:
Void:

BRIDGE LAYOUT			
Designer:	Daniel Hull	Structure Numbers	P-05-W
Detailer:	Rick Keller		
Sheet Subset:	Anti-Icing	Subset Sheets:	AIS2 of AIS5

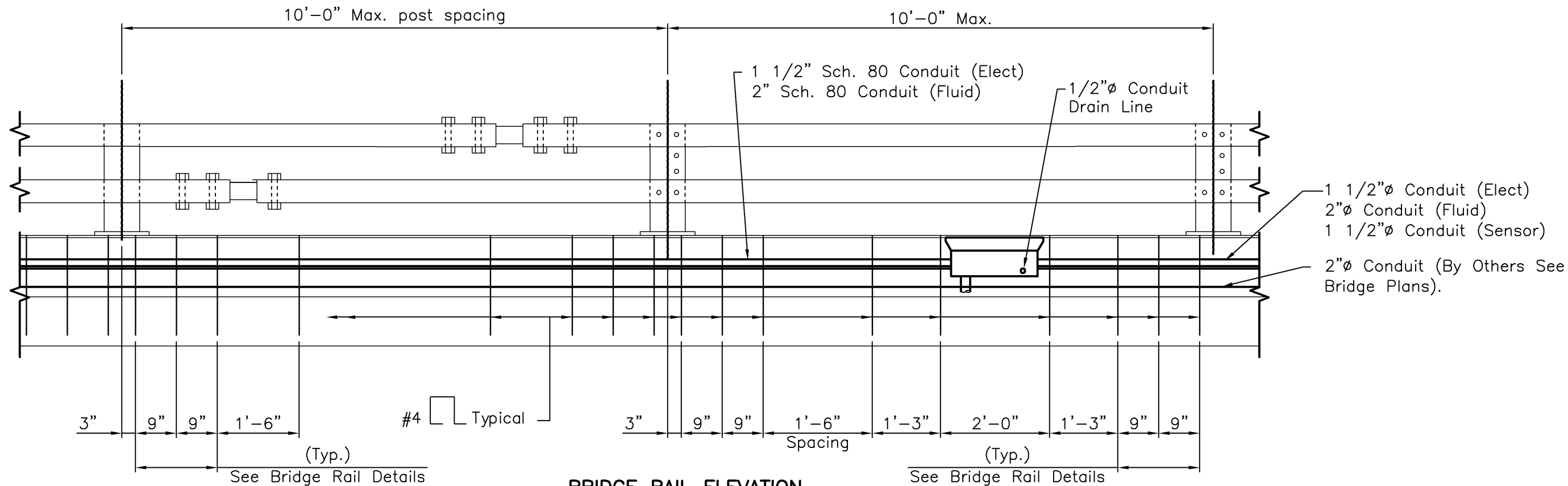
Project No./Code
NH 1602-114
16042
Sheet Number

Design		Detail		Quantities	
INITIAL	DATE	INITIAL	DATE	INITIAL	DATE
Designed By	07/08	RJK	07/08	Quantities By	XXX
Checked By	07/25	DDH	07/25	Checked By	XXX



BRIDGE SECTION
Scale: 1/2" = 1'-0"

Print Date: Wednesday, September 01, 2010		Sheet Revisions			Colorado Department of Transportation		As Constructed		BRIDGE CROSS SECTION		Project No./Code	
File Name: 0208005.08P101-RAMP C.DWG		Date:	Comments	Init.	3803 North Main Avenue		No Revisions: 11/1/09		Designer: Daniel Hull		NH 1602-114	
Horiz. Scale: As Noted Vert. Scale: As Noted		<input checked="" type="checkbox"/>			Suite 200		Revised:		Detailer: Rick Keller		Structure Numbers P-05-W	
Unit Information Unit Leader Initials		<input type="checkbox"/>			Durango, CO 81301		Void:		Sheet Subset: Anti-Icing		16042	
<small>Lamp, Rynearson & Associates, Inc. WWW.LRA-INC.COM</small> 		<input type="checkbox"/>			 Phone: 970-385-1440 FAX: 970-385-8365				Subset Sheets: AIS3 of AIS5		Sheet Number	
<small>ENVIROTECH</small> 		<input type="checkbox"/>			Region 5 EJA							



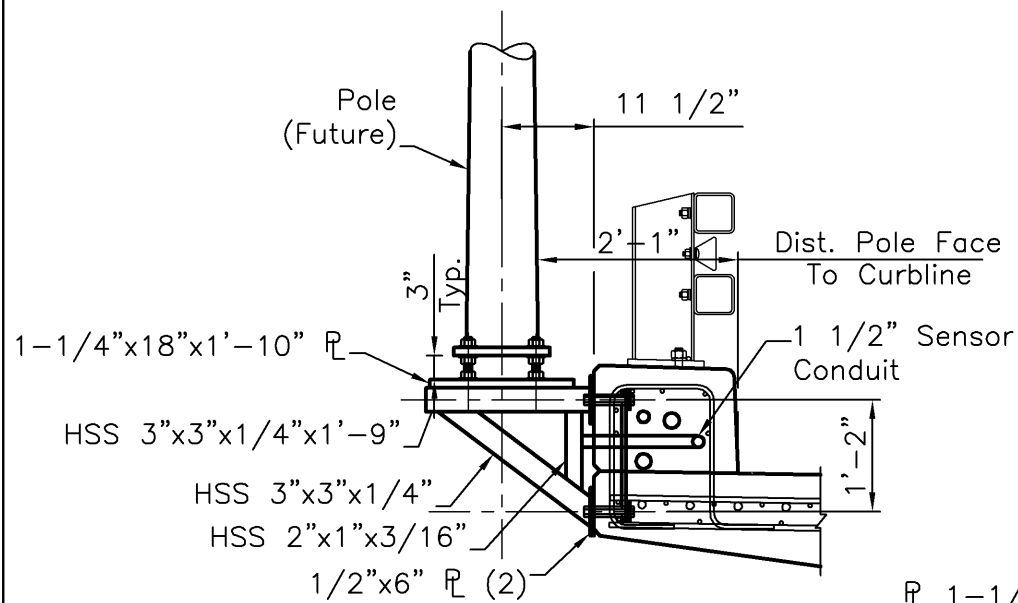
BRIDGE RAIL ELEVATION

Scale" 1/2" = 1'-0"

Design		Detail		Quantities	
INITIAL	DATE	INITIAL	DATE	INITIAL	DATE
Designed By JMH	07/08	Detailed By RJK	07/08	Quantities By XXX	MM/YY
Checked By DDH	07/25	Checked By DDH	07/25	Checked By XXX	MM/YY

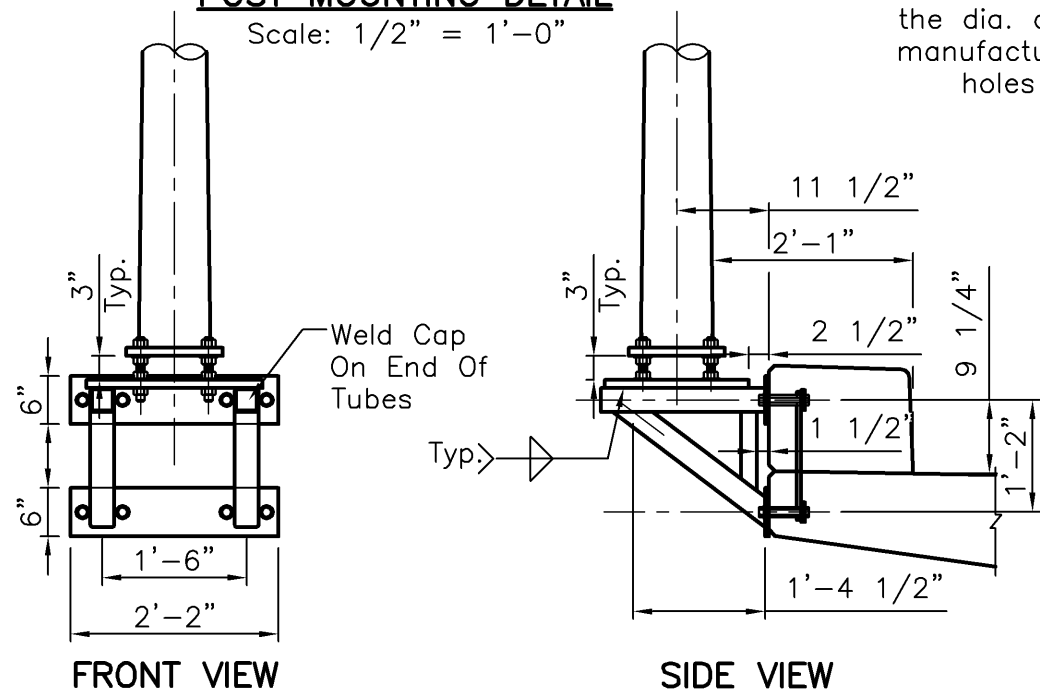
Print Date: Wednesday, September 01, 2010		Sheet Revisions			As Constructed		BRIDGE RAIL ELEVATION		Project No./Code	
File Name: 0208005.08P101-RAMP C.DWG		Date:	Comments	Init.	No Revisions: 11/1/09				NH 1602-114	
Horiz. Scale: As Noted Vert. Scale: As Noted		<input checked="" type="checkbox"/>			Revised:		Designer: Daniel Hull	Structure	P-05-W	
Unit Information Unit Leader Initials		<input type="checkbox"/>			Void:		Detailer: Rick Keller	Numbers	16042	
		<input type="checkbox"/>					Sheet Subset: Anti-Icing	Subset Sheets: AIS4 of AIS5	Sheet Number	
		<input type="checkbox"/>			3803 North Main Avenue Suite 200 Durango, CO 81301 Phone: 970-385-1440 FAX: 970-385-8365				Region 5 EJA	

Design	INITIAL	DATE	Checked By	Checked By
	JMH	07/25		
Detail	INITIAL	DATE	Checked By	Checked By
	DDH	07/25		
Quantities	INITIAL	DATE	Checked By	Checked By
	XXX	MM/YY		



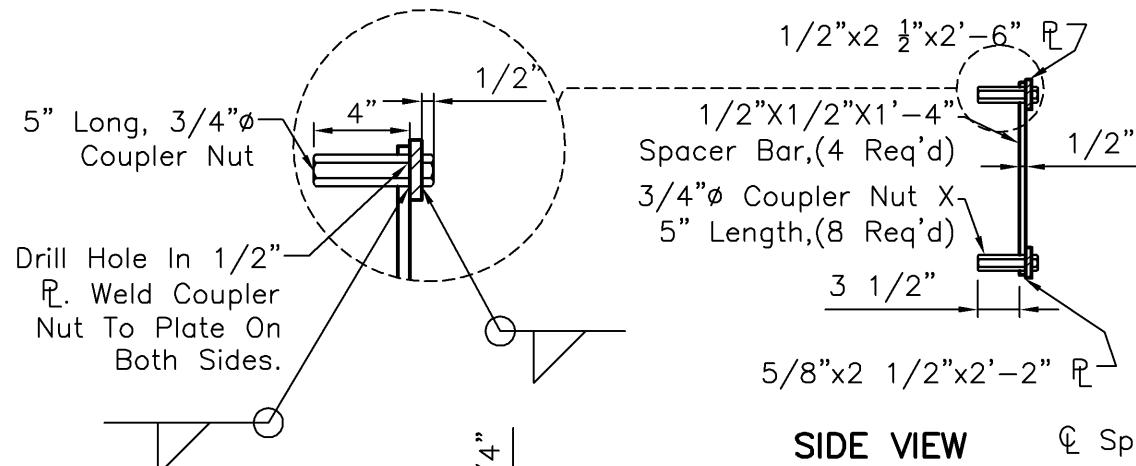
POST MOUNTING DETAIL

Scale: 1/2" = 1'-0"



OUTSIDE MOUNTING BRACKET

Scale: 1/2" = 1'-0"

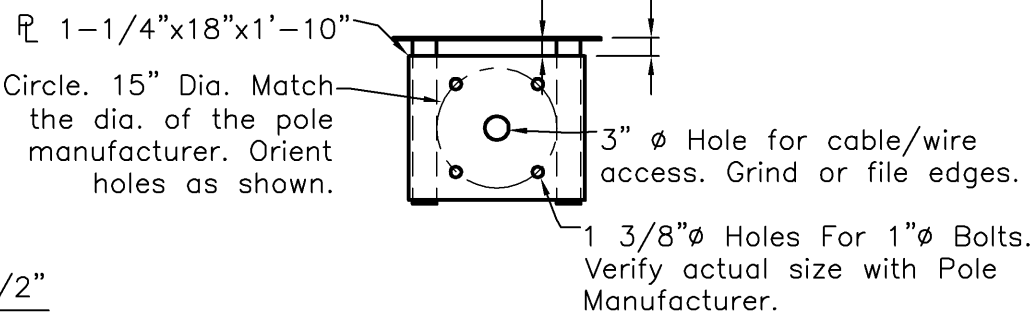


SIDE VIEW

FRONT VIEW

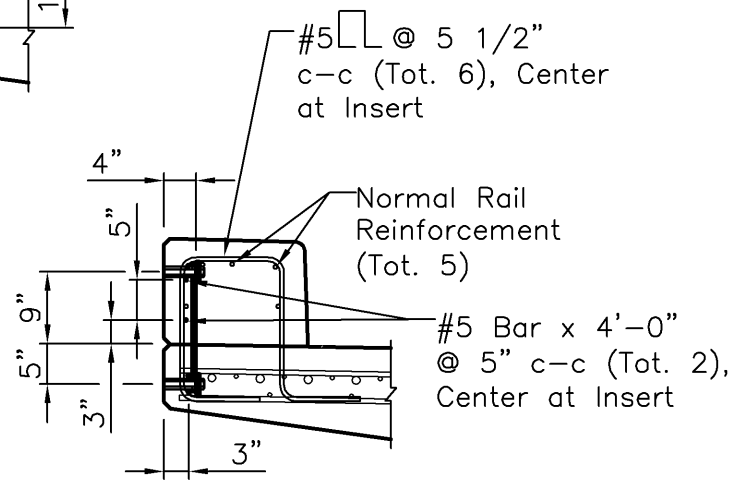
BARRIER INSERT DETAIL

Scale: 3/4" = 1'-0"



PLAN VIEW OF MOUNTING BRACKET

Scale: 1/2" = 1'-0"



BARRIER WITH BRACKET INSERTS

Scale: 1/2" = 1'-0"

STRUCTURAL STEEL AND METAL EMBEDMENTS FOR CONCRETE STRUCTURES

- Miscellaneous steel items in the structures shall be fabricated from structural steel conforming to ASTM A36 or A572. Welding shall meet requirements of AWS D1.1. The finished fabrication shall be hot-dip galvanized in accordance with ASTM A123.
- All Bolts, Nuts and Washers shall be A325, and shall be galvanized.
- All HSS Round or Rectangular Sections shall conform to ASTM A500, Grade B or C structural tubing.
- All welds shall be 1/4" minimum effective throat welds, or to the thickness of the smaller material being welded, whichever is smaller, based on 70 ksi electrode strength. HSS members may require flare bevel welds.
- 3/4" Coupler Nuts shall be 5" minimum in length, and shall meet the requirements of A325.
- Bolts to connect the Bracket to the barrier shall be 3 1/2" in length with washers.
- Pole Mounting Bracket is designed for following conditions:
 - Maximum wind velocity of 100 mph.
 - Maximum height of pole not to exceed 30 feet from top of mounting bracket plate.
 - Top of pole shall not exceed 100 feet as measured above the local ground elevation.
 - Horizontal projected area of installed equipment shall not exceed 4.5 SF mounted at 27 Feet above the top of the mounting plate (or equivalent produced moment).
 - Base of the pole shall not exceed 8" diameter, Bolt circle shall not exceed 15".

Print Date: Wednesday, September 01, 2010	File Name: 0208005.08P101-RAMP C.DWG
Horiz. Scale: As Noted	Vert. Scale: As Noted
Unit Information	Unit Leader Initials
Lamp, Rynco & Associates, Inc. 1140 20th Avenue, Suite F1, Greeley, Colorado 80639	ENVIROTECH BUSINESS INC. 1140 20th Avenue, Suite F1, Greeley, Colorado 80639

Sheet Revisions		
Date:	Comments	Init.
(R-X)		
(O)		
(O)		

Colorado Department of Transportation
 3803 North Main Avenue
 Suite 200
 Durango, CO 81301
 Phone: 970-385-1440 FAX: 970-385-8365
 Region 5 EJA

As Constructed
No Revisions: 11/1/09
Revised:
Void:

SENSOR POLE ANCHORAGE			
Designer: Daniel Hull	Structure: P-05-W	Project No./Code: NH 1602-114	
Detailer: Rick Keller	Numbers:	16042	
Sheet Subset: Anti-Icing	Subset Sheets: AIS5 of AIS5	Sheet Number	