

GENERAL NOTES

THESE PLANS ARE TO BE USED IN CONJUNCTION WITH BOOK 4 - WALL PLANS. HORIZONTAL AND VERTICAL GEDMETRY, COPING DETAILS, PRECAST PANEL DETAILS, LEVELING PAD, AND RETURN WALL DETAILS ARE TO BE CONSTRUCTED FROM THIS SET OF PLANS. GROUND NAIL WALL DETAILS ARE TO BE CONSTRUCTED USING BOOK 4 - WALL PLANS.

GENERAL NOTES FROM BOOK 4, SHEET 53, APPLY TO THIS SET OF PLANS, AS APPLICABLE. ADDITIONAL INFORMATION, AS REQUIRED HAS BEEN PROVIDED ON THIS SHEET.

FOR ENGINEERING GEOLOGY, REFER TO BOOK 4 - WALL PLANS.

FOR STRUCTURAL CONCRETE COATING COLORS, REFER TO BOOK 4, SHEET 116.

GRADE 60 REINFORCING STEEL IS REQUIRED.

THE FOLLOWING TABLE GIVES THE MINIMUM LAP SPLICE LENGTH FOR EPOXY COATED REINFORCING BARS PLACED IN ACCORDANCE WITH SUBSECTION 602.06. THESE SPLICE LENGTHS SHALL BE INCREASED BY 25% FOR BARS SPACED AT LESS THAN 6" ON CENTER.

BAR SIZE	#4	#5	#6	#7	#8	#9	#10	#11
SPLICE LENGTH FOR CLASS B CONCRETE	1'-3"	1'-7"	2'-6"	3'-5"	4'-6"	5'-8"	7'-2"	8'-10"
SPLICE LENGTH FOR CLASS D CONCRETE	1'-3"	1'-7"	2'-5"	2'-10"	3'-8"	4'-8"	5'-11"	7'-3"

WHEN THE CONTRACTOR ELECTS TO SUBSTITUTE EPOXY COATED REINFORCEMENT FOR BLACK REINFORCING BARS, THE MINIMUM LAP SPLICE SHALL BE AS DESCRIBED ABOVE.

THE FOLLOWING TABLE GIVES THE MINIMUM LAP SPLICE LENGTH FOR BLACK REINFORCING BARS PLACED IN ACCORDANCE WITH SUBSECTION 602.06. THESE SPLICE LENGTHS SHALL BE INCREASED BY 25% FOR BARS SPACED AT LESS THAN 6" ON CENTER.

BAR SIZE	#4	#5	#6	#7	#8	#9	#10	#11
SPLICE LENGTH FOR CLASS B CONCRETE	1'-1"	1'-4"	1'-8"	2'-4"	3'-0"	3'-10"	4'-10"	5'-11"
SPLICE LENGTH FOR CLASS D CONCRETE	1'-1"	1'-4"	1'-7"	1'-11"	2'-6"	3'-1"	3'-11"	4'-10"

THE ABOVE SPLICE LENGTHS MAY BE REDUCED BY 20% WHEN 3" OF CLEAR COVER EXISTS AND BAR SPACING IS 6" OR GREATER ON CENTER.

THE CONTRACTOR SHALL BE RESPONSIBLE FOR THE STABILITY OF THE STRUCTURE DURING CONSTRUCTION.

E.F. = EACH FACE
 B.F. = BACK FACE
 F.F. = FAR FACE
 ABUT = ABUTMENT
 N.F. = NEAR FACE
 LOL = LAYOUT LINE

LEVEL II SULFATE RESISTANT CEMENT IS REQUIRED FOR STRUCTURAL CONCRETE.

DESIGN DATA (PRECAST PANELS, COPING, AND LEVELING PADS)

DESIGN METHOD:

PANELS: LRFD STRENGTH 1 LIMIT STATE & SERVICE 1 LIMIT STATE: AASHTO LRFD FOURTH EDITION

GEOTECHNICAL DATA:
 WALL FOUNDATION ON BEDROCK
 ULTIMATE BEARING CAPACITY = 11,500 psf
 RESISTANCE FACTOR FOR BEARING = 0.45
 ULTIMATE COEFFICIENT OF FRICTION = 0.53
 RESISTANCE FACTOR FOR SLIDING = 0.85

UNSUITABLE FOUNDATION MATERIAL SHALL BE REPLACED WITH SUITABLE FOUNDATION MATERIAL IN ACCORDANCE WITH 206.03 OF THE STANDARD SPECIFICATIONS.

REINFORCED CONCRETE:

CLASS B CONCRETE: f'c = 4,500 psi
 CLASS D CONCRETE: f'c = 4,500 psi
 REINFORCING STEEL: fy = 60,000 psi

INDEX OF DRAWINGS

W-1	SUPPLEMENTAL GENERAL NOTES/SUMMARY OF QUANTITIES
W-2	GROUND NAIL WALL P-05-F PLAN & ELEVATION (1 OF 3)
W-3	GROUND NAIL WALL P-05-F PLAN & ELEVATION (2 OF 3)
W-4	GROUND NAIL WALL P-05-F PLAN & ELEVATION (3 OF 3)
W-5	GROUND NAIL WALL P-05-K PLAN & ELEVATION (1 OF 2)
W-6	GROUND NAIL WALL P-05-K PLAN & ELEVATION (2 OF 2)
W-7	GROUND NAIL WALL ARCHITECTURAL DETAILS (1 OF 2)
W-8	GROUND NAIL WALL ARCHITECTURAL DETAILS (2 OF 2)
W-9	GROUND NAIL WALL PRECAST PANEL DETAILS
W-10	GROUND NAIL WALL COPING DETAILS
W-11	GROUND NAIL WALL MISCELLANEOUS DETAILS

SUMMARY OF QUANTITIES (PRECAST PANELS AND COPING)

Item No.	Description	Units	Wall P-05-F	Wall P-05-K
504	Full Ht. Precast Concrete Panel Facing	SF	37,560	9,843
601	Concrete Class B (Wall)	CY	178	88
602	Reinforcing Steel (Epoxy Coated)	LB	20,770	10,320

APPROVED FOR CONSTRUCTION

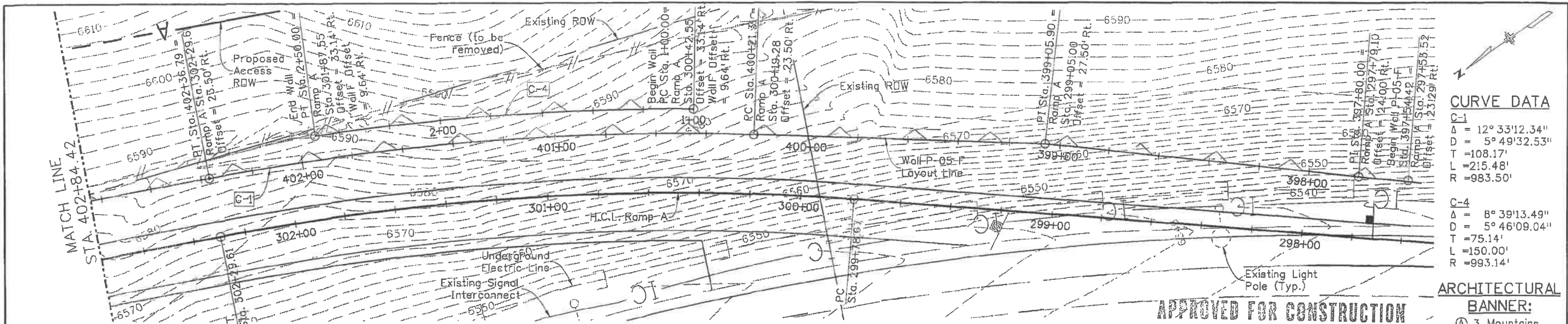
Date 9-26-08

CROSS REFERENCE DRAWING NUMBER
 (IF BLANK, REFERENCE IS TO SAME SHEET)
 SECTION OR DETAIL IDENTIFICATION



Design	INITIAL		DATE	
	AM	CWK	08/08	08/08
Designed By				
Checked By				
Detail	INITIAL		DATE	
	AM	CWK	08/08	08/08
Detailed By				
Checked By				
Quantities	INITIAL		DATE	
	AM	CWK	08/08	08/08
Quantities By				
Checked By				

Print Date: 9/26/2008	Sheet Revisions			Colorado Department of Transportation 3803 North Main Avenue Suite 200 Durango, CO 81301 Phone: 970-385-1440 FAX: 970-385-8365 Region 5	As Constructed No Revisions: Revised: Void:	GROUND NAIL WALL SUPPLEMENTAL GENERAL NOTES/ SUMMARY OF QUANTITIES				Project No./Code NH 1602-114
File Name: 16042F_GenNotes_01.dgn	Date:	Comments:	Init.			Designer: T. Melton	Structure: WALL P-05-F	15042		
Horiz. Scale: 1:1	Unit Information 0221			Unit Leader STW	Detailer: R. Artman	Numbers: WALL P-05-K	Sheet Number			
SEMA CONSTRUCTION		WILSON & COMPANY		EJA		Sheet Subset: Bridge	Subset Sheets: W1 of 11	Sheet Number		



CURVE DATA

C-1
 $\Delta = 12^\circ 33'12.34''$
 $D = 5^\circ 49'32.53''$
 $T = 108.17'$
 $L = 215.48'$
 $R = 983.50'$

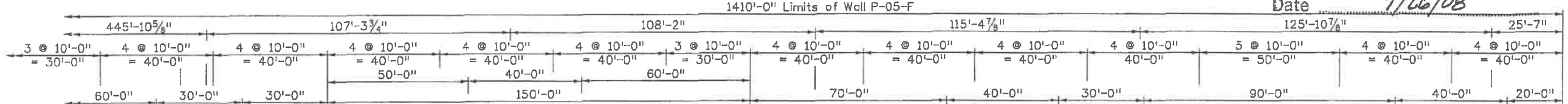
C-4
 $\Delta = 8^\circ 39'13.49''$
 $D = 5^\circ 46'09.04''$
 $T = 75.14'$
 $L = 150.00'$
 $R = 993.14'$

APPROVED FOR CONSTRUCTION

ARCHITECTURAL BANNER:
 (A) 3 Mountains
 (B) 2 Mountains
 All other Panels have no Mountains

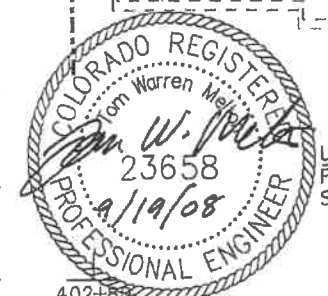
PLAN

Date 9/26/08



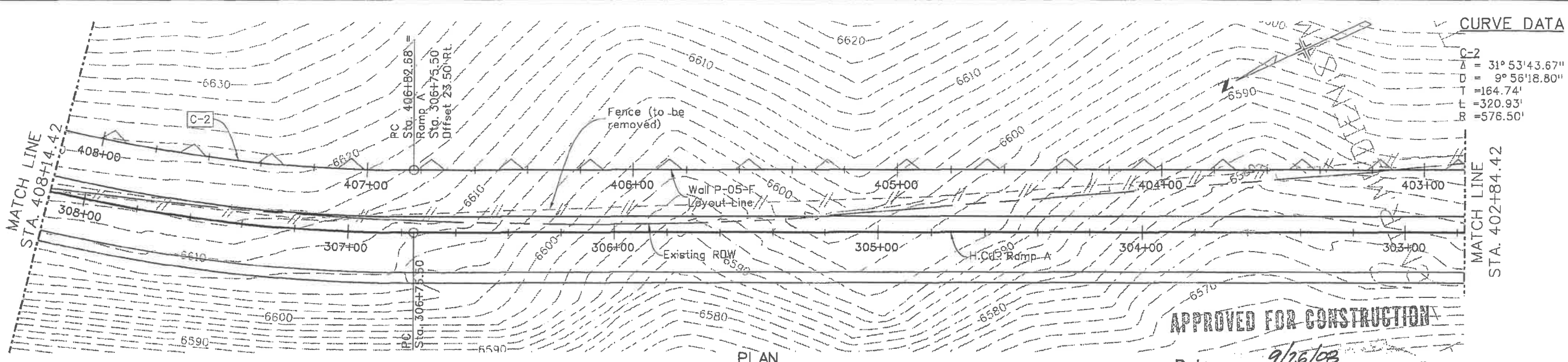
Precast Panel Spacing (Nominal)

Design		Detail		Quantities	
INITIAL	DATE	INITIAL	DATE	INITIAL	DATE
TWJ	8-08	JMB	8-08	SRB	7-08
Checked By	8-08	Checked By	8-08	Checked By	7-08
				AAR	



Print Date: 9/19/2008	Sheet Revisions	Colorado Department of Transportation	As Constructed	GROUND NAIL WALL P-05-F PLAN & ELEVATION (1 OF 3)	Project No./Code
File Name: 16042F_GenLayout_01.dgn	Date: _____ Comments: _____ Init: _____	3803 North Main Avenue Suite 200 Durango, CO 81301 Phone: 970-385-1440 FAX: 970-385-8365	No Revisions:	Designer: B. Heorn	NH 1602-114
Horiz. Scale: 1:1	Unit Information 0221	Region 5	Revised:	Detailer: D. Anderson	16042
Unit Leader STW	SEMA CONSTRUCTION	EJA	Void:	Sheet Subset: Wall	Sheet Number
	WILSON & COMPANY			Structure Numbers	W2 of 11

FINAL DESIGN DOCUMENTS - 09/19/08



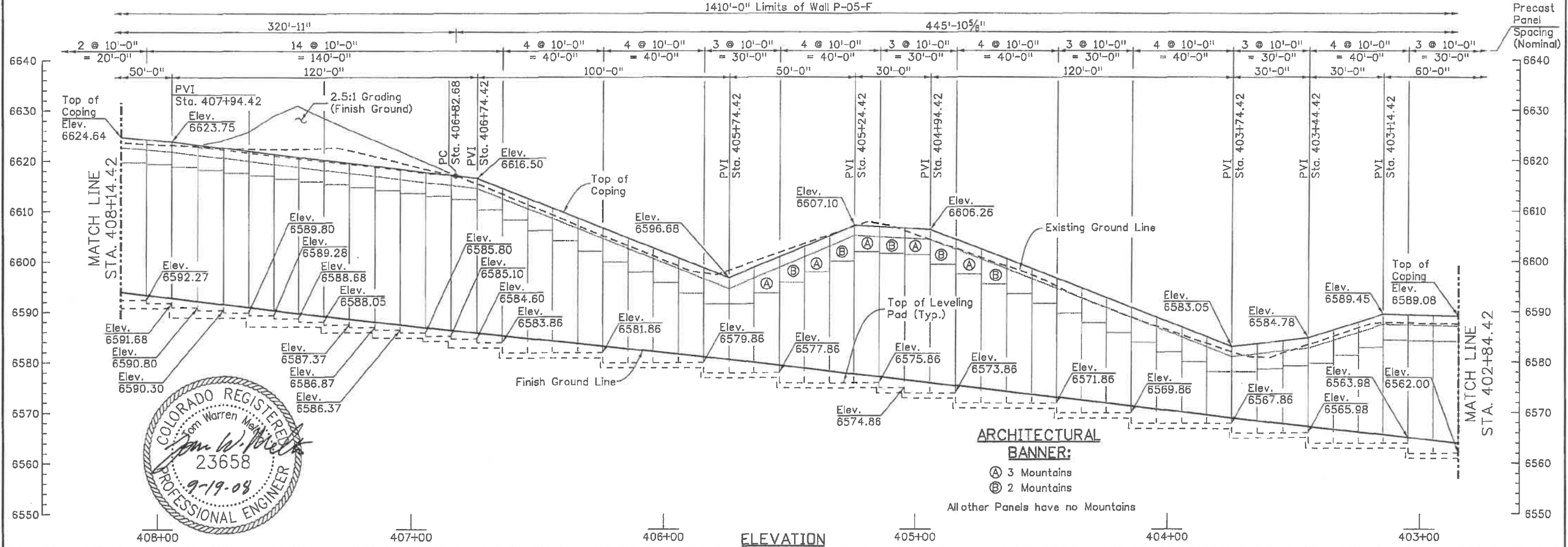
CURVE DATA

C-2
Δ = 31° 53' 43.67"
D = 9° 56' 18.80"
T = 164.74'
R = 320.93'
B = 576.50'

APPROVED FOR CONSTRUCTION

Date 9/26/08

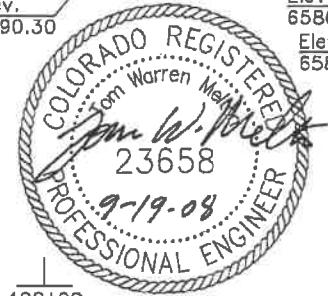
1410'-0" Limits of Wall P-05-F



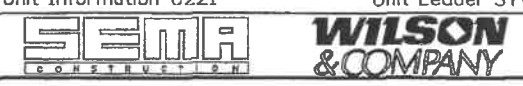
ARCHITECTURAL BANNER:

- Ⓐ 3 Mountains
 - Ⓑ 2 Mountains
- All other Panels have no Mountains

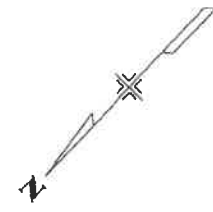
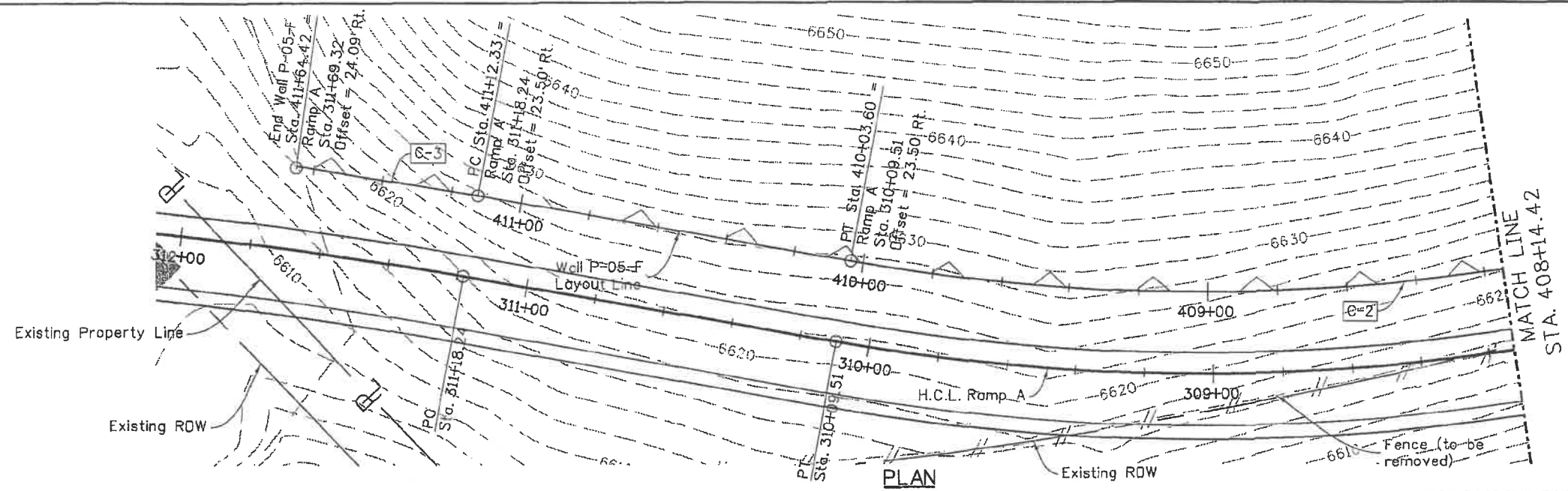
Design		Detail		Quantities	
Designed By	DATE	INITIAL	DATE	INITIAL	DATE
Checked By	8-08	TJM	8-08	SRB	7-08
		TRJ		AMR	7-08



Print Date: 9/19/2008	Sheet Revisions		Colorado Department of Transportation 3803 North Main Avenue Suite 200 Durango, CO 81301 Phone: 970-385-1440 FAX: 970-385-8365	As Constructed No Revisions: Revised: Void:	GROUND NAIL WALL P-05-F PLAN & ELEVATION (2 OF 3)		Project No./Code NH 1602-114 16042 Sheet Number
File Name: 16042F_GenLayout_02.dgn	Date:	Comments:			Init.:	Designer: B. Hearn	
Horiz. Scale: 1:1	Unit Information 0221		Region 5	EJA	Revised:	Detailer: D. Anderson	Sheet Subset: Wall
Vert. Scale: As Noted	Unit Leader STW				Void:	Sheet Subset: Wall	



FINAL DESIGN DOCUMENTS - 09/19/08



CURVE DATA

C-2
 $\Delta = 31^\circ 53' 43.67''$
 $D = 9^\circ 56' 18.80''$
 $T = 164.74'$
 $L = 320.93'$
 $R = 576.50'$

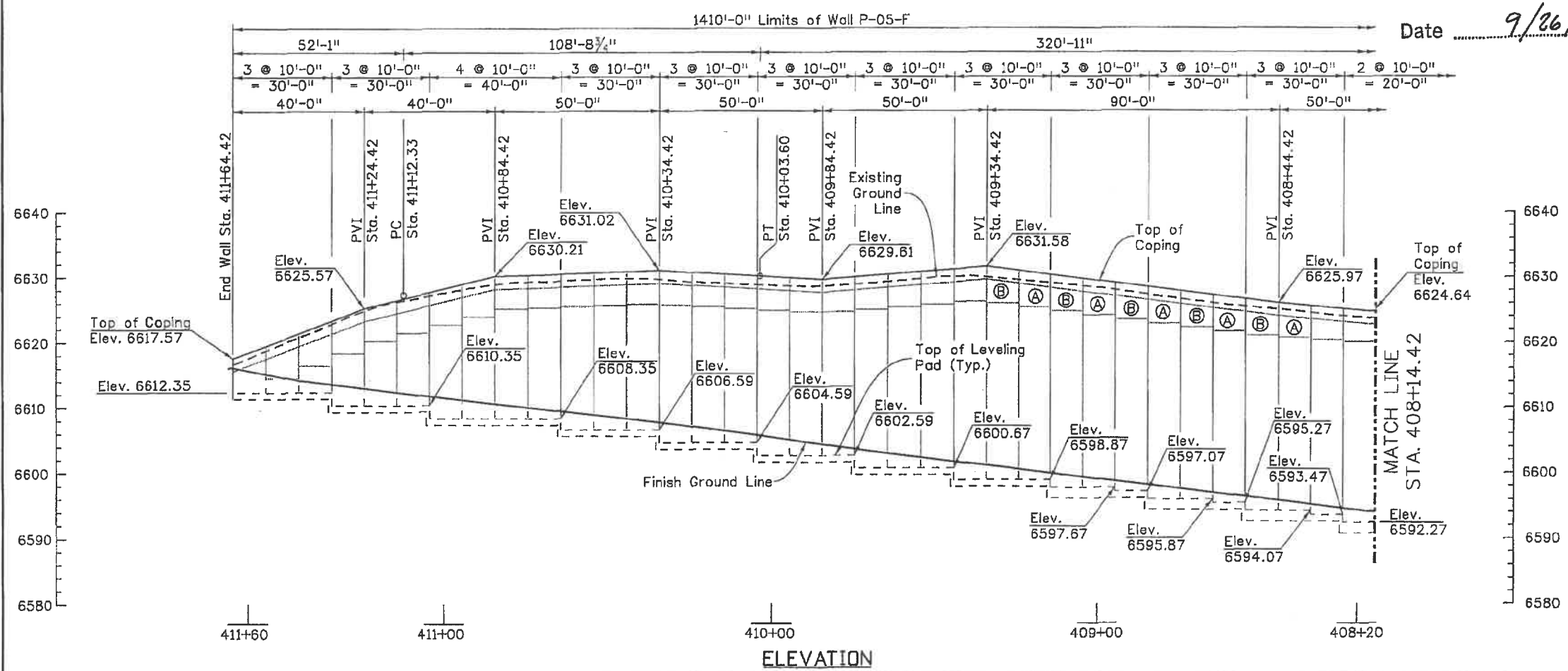
C-3
 $\Delta = 9^\circ 15' 36.42''$
 $D = 4^\circ 40' 58.59''$
 $T = 99.09'$
 $L = 197.74'$
 $R = 1223.50'$

ARCHITECTURAL BANNER:

(A) 3 Mountains
 (B) 2 Mountains
 All other Panels have no Mountains

APPROVED FOR CONSTRUCTION

Date 9/26/08



Design		Detail		Quantities	
INITIAL	DATE	INITIAL	DATE	INITIAL	DATE
Desig. By: TRJ	8-08	Detail: JMB	8-08	Quantities By: ARR	7-08
Checked By:		Checked By:		Checked By:	



Print Date: 9/19/2008
 File Name: 16042F_GenLayout_03.dgn
 Horiz. Scale: 1:1
 Unit Information 0221
SEMA CONSTRUCTION
WILSON & COMPANY

Sheet Revisions		
Date:	Comments	Init.

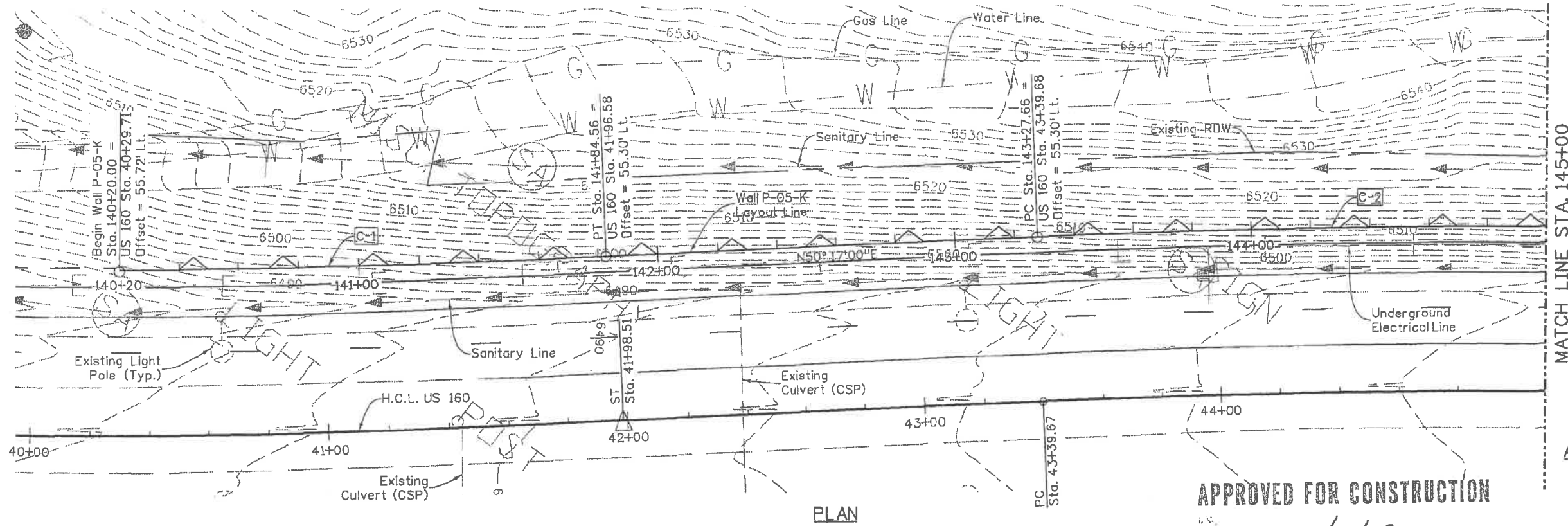
Colorado Department of Transportation
 3803 North Main Avenue
 Suite 200
 Durango, CO 81301
 Phone: 970-385-1440 FAX: 970-385-8365
Region 5 EJA

As Constructed
 No Revisions:
 Revised:
 Void:

GROUND NAIL WALL P-05-F PLAN & ELEVATION
 (3 OF 3)
 Designer: B. Hearn
 Detailer: D. Anderson
 Sheet Subset: Wall
 Structure Numbers
 Subset Sheets: W4 of 11

Project No./Code
 NH 1602-114
 16042
 Sheet Number

FINAL DESIGN DOCUMENTS - 09/19/08



CURVE DATA

C-1
Δ = 2°13'46.18"
D = 1°08'45.30"
T = 97.29'
L = 194.56'
R = 5000.00'
C-2
Δ = 6°30'29.35"
D = 1°28'01.66"
T = 222.04'
L = 443.60'
R = 3905.30'

ARCHITECTURAL BANNER:

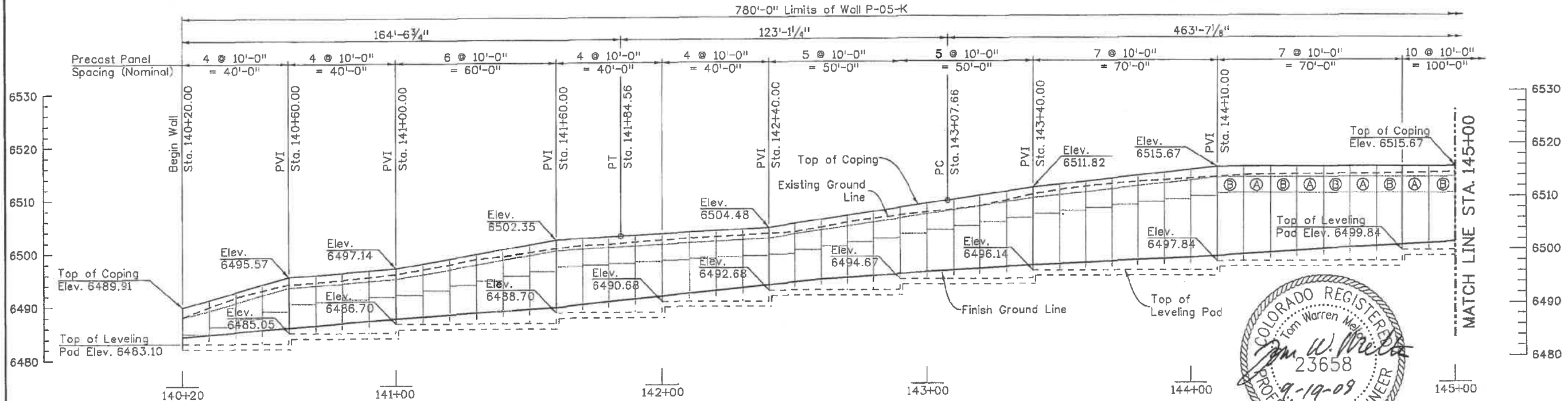
Ⓐ 3 Mountains
 Ⓑ 2 Mountains

All other Panels have no Mountains

APPROVED FOR CONSTRUCTION
 Date 9/26/08

PLAN

Design		Detail		Quantities	
INITIAL	DATE	INITIAL	DATE	INITIAL	DATE
TWM	8-08	JMB	8-08	SRB	7-08
TRJ	8-08	JMB	8-08	AAR	7-08
Designed By	Checked By	Designed By	Checked By	Quantities By	Checked By



ELEVATION



Print Date: 9/19/2008
 File Name: 16042K_GenLayout_01.dgn
 Horiz. Scale: 1:1 Vert. Scale: As Noted
 Unit Information 0221 Unit Leader STW

SEMA CONSTRUCTION **WILSON & COMPANY**

Sheet Revisions

Date:	Comments	Init.

Colorado Department of Transportation
 3803 North Main Avenue
 Suite 200
 Durango, CO 81301
 Phone: 970-385-1440 FAX: 970-385-8365
 Region 5 EJA

As Constructed

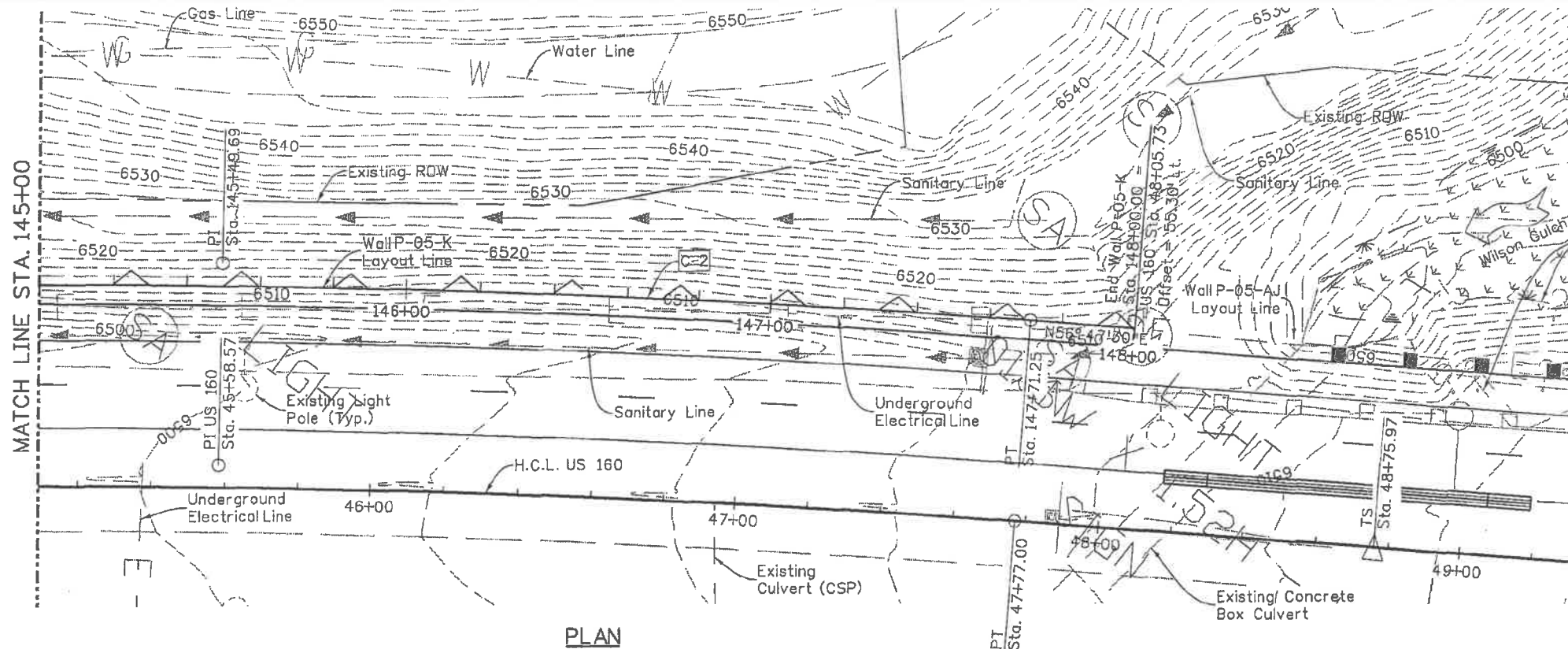
No Revisions:
 Revised:
 Void:

GROUND NAIL WALL P-05-K PLAN & ELEVATION (1 OF 2)

Designer:	B. Hearn	Structure	WALL P-05-K
Detailer:	D. Anderson	Numbers	
Sheet Subset:	Wall	Subset Sheets:	W5 of 11

Project No./Code
 NH 1602-114
 16042
 Sheet Number

FINAL DESIGN DOCUMENTS - 09/19/08



CURVE DATA

C-2
Δ = 6° 30' 29.35"
D = 1° 28' 01.66"
T = 222.04'
L = 443.60'
R = 3905.30'

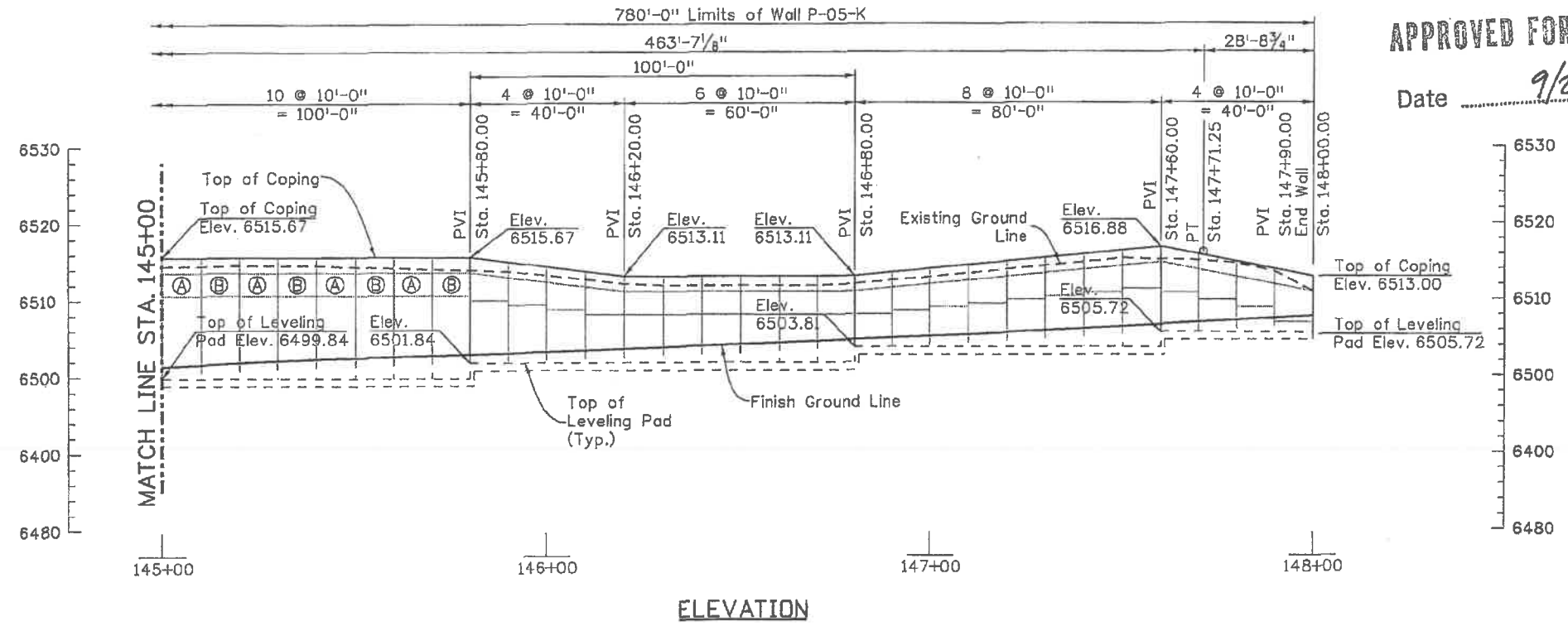
ARCHITECTURAL BANNER:

- Ⓐ 3 Mountains
- Ⓑ 2 Mountains

All other Panels have no Mountains

APPROVED FOR CONSTRUCTION

Date 9/26/08

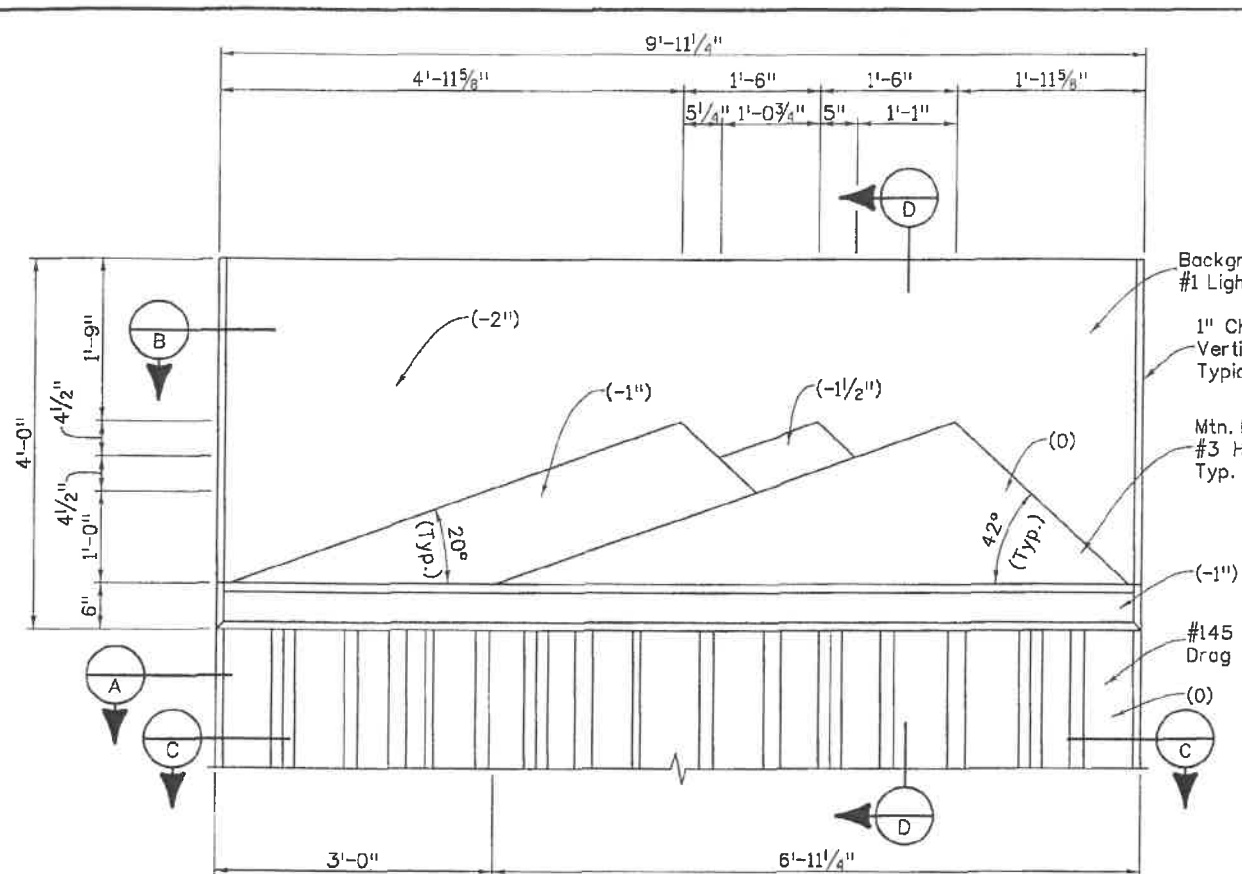


Design		Detail		Quantities	
INITIAL	DATE	INITIAL	DATE	INITIAL	DATE
Designed By	8-08	Detailed By	8-08	Quantities By	7-08
Checked By	8-08	Checked By	8-08	Checked By	7-08

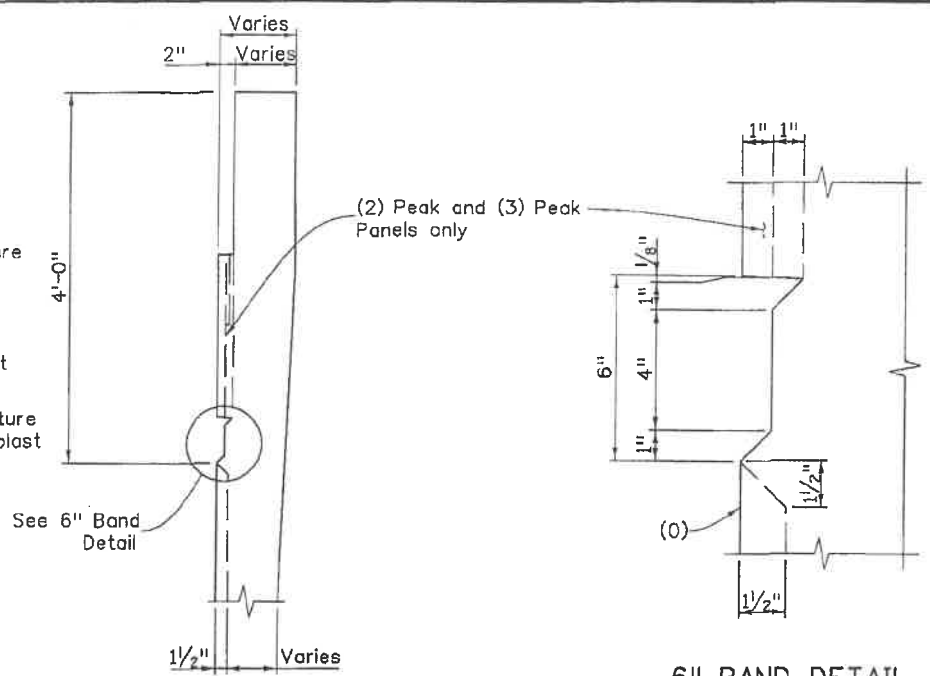
Print Date: 9/19/2008	Sheet Revisions		Colorado Department of Transportation 3803 North Main Avenue Suite 200 Durango, CO 81301 Phone: 970-385-1440 FAX: 970-385-8365 Region 5	As Constructed No Revisions: Revised: Void:	GROUND NAIL WALL P-05-K PLAN & ELEVATION (2 OF 2)		Project No./Code
File Name: 16042K_GenLayout_02.dgn	Date:	Comments:			Init.:	Designer: B. Hearn	Structure Numbers: WALL P-05-K
Horiz. Scale: 1:1	Vert. Scale: As Noted		EJA	Revised:	Detailer: D. Anderson	16042	Sheet Number
Unit Information 0221	Unit Leader STW				Sheet Subset: Wall	Subset Sheets: W6 of 11	



FINAL DESIGN DOCUMENTS - 09/19/08

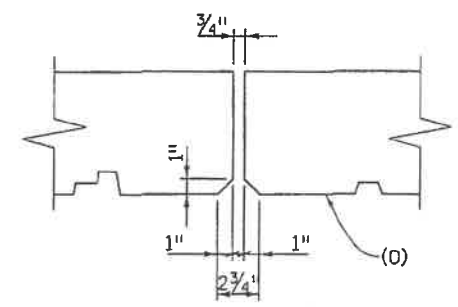


FINISHED FACE OF (3) PEAK MTN. BANNER TEXTURE



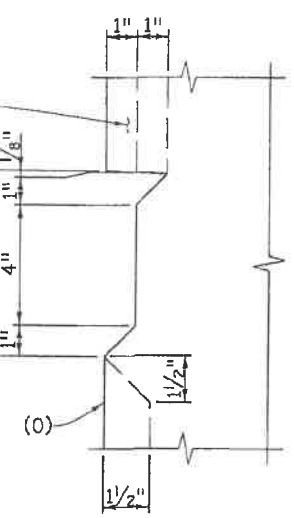
SECTION D

(3) Peak shown, (2) Peak and No MTN. Banner similar

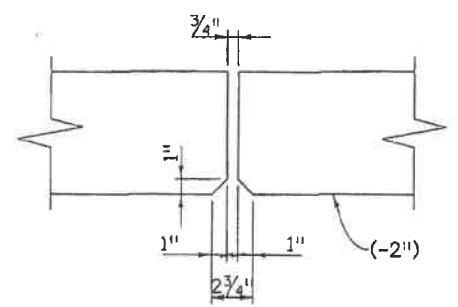


DETAIL A

Joint Detail at #145 Colo. Drag



6\"/>



DETAIL B

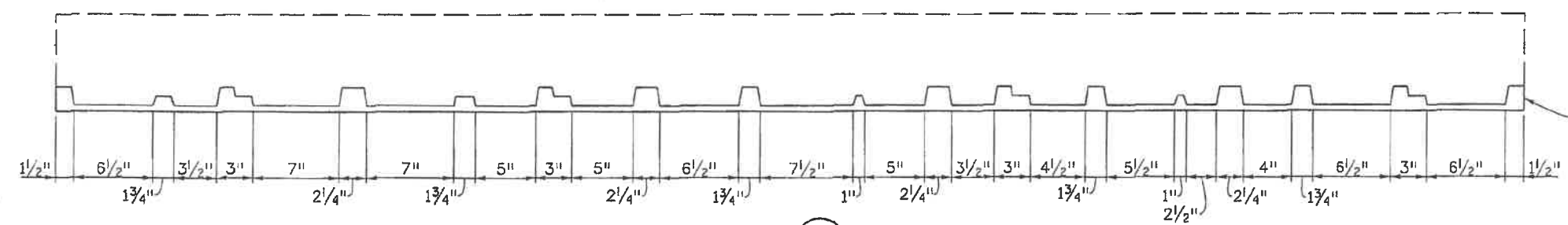
Joint Detail at Background

NOTES:

1. For structure concrete coating colors, refer to Sheet 116, Book 4.
2. For (2) Peak MTN. Banner texture and no MTN. Banner texture, see Architectural Details Sheet (2 of 2).
3. For top of panel slope, refer to Wall Plan and Elevations.

APPROVED FOR CONSTRUCTION

Date 9/26/08



SECTION C

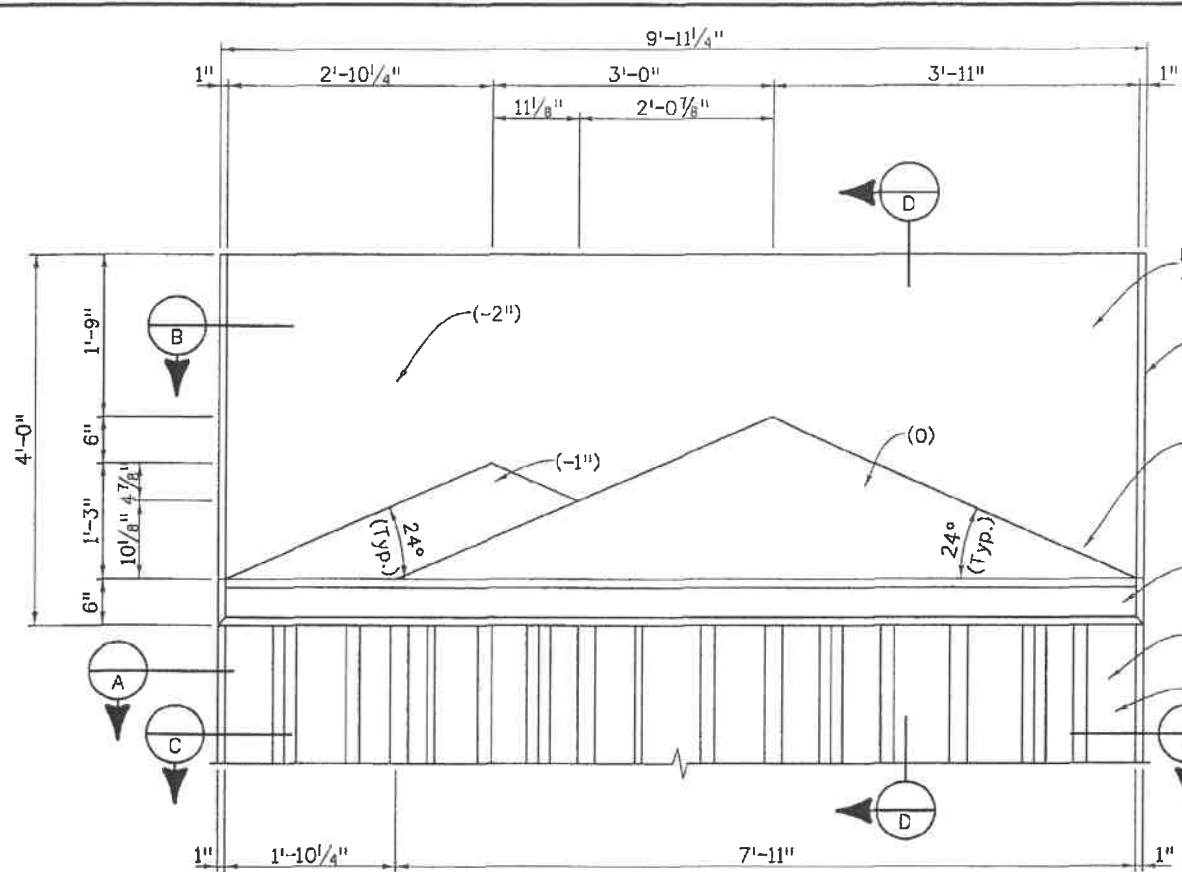
Ends can be modified to match Section A (Typ.)



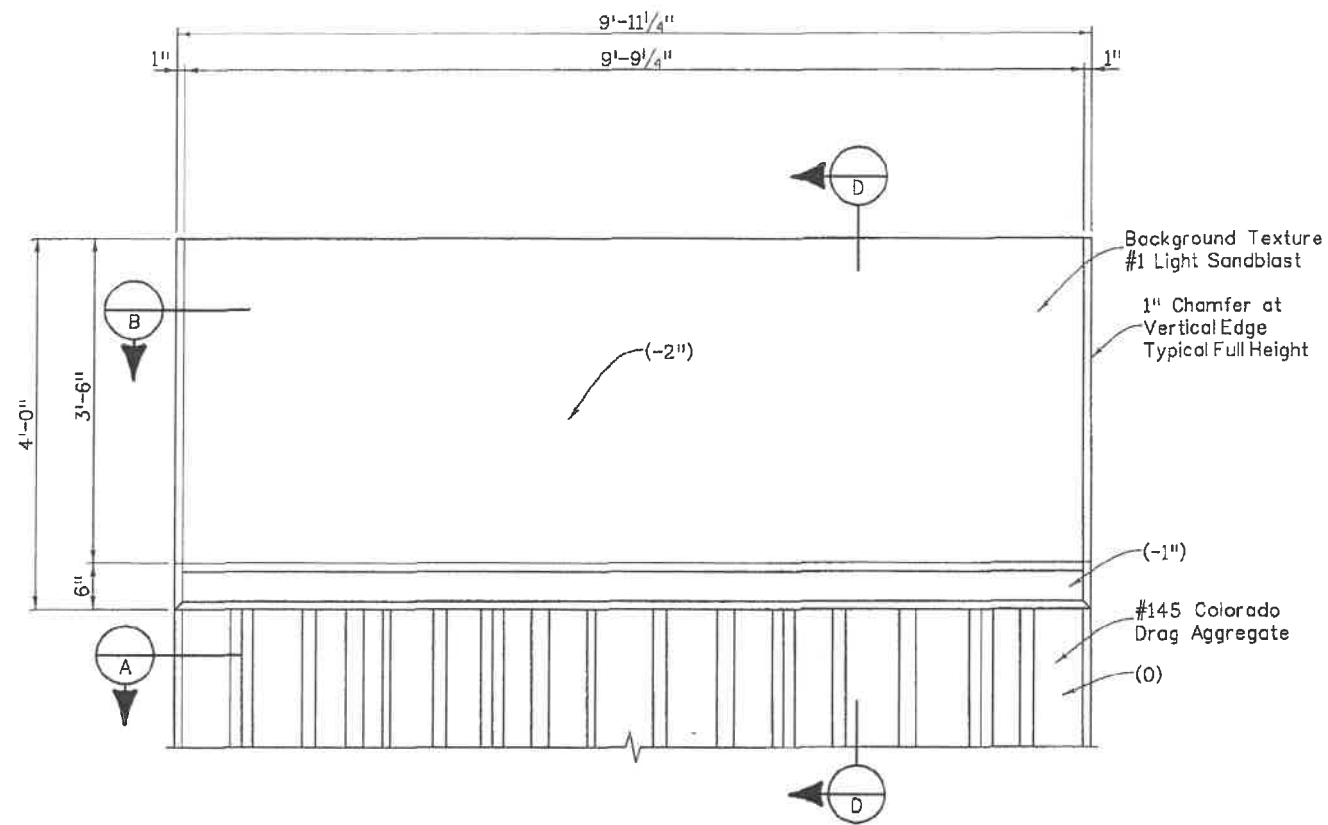
Design		Detail		Quantities	
INITIAL	DATE	INITIAL	DATE	INITIAL	DATE
MRM	8-08	RCA	8-08	MRM	8-08
SAB	8-08	TWM	8-08	AAR	7-08
Designed By	Checked By	Detailed By	Checked By	Quantities By	Checked By

Print Date: 9/19/2008	Sheet Revisions		<p>Colorado Department of Transportation 3803 North Main Avenue Suite 200 Durango, CO 81301 Phone: 970-385-1440 FAX: 970-385-8365</p>	As Constructed No Revisions: Revised: Void:	GROUND NAIL WALL ARCHITECTURAL DETAILS (1 OF 2)		Project No./Code NH 1602-114 16042 Sheet Number
File Name: 16042K_WallDetails_01.dgn	Date:	Comments:			Init.:	Designer: T. Melton Detailer: R. Artman Sheet Subset: Wall	
Horiz. Scale: 1:1	Unit Information 0221 			Region 5 EJA	Unit Leader STW		

Design		Detail		Quantities	
INITIAL	DATE	INITIAL	DATE	INITIAL	DATE
MM	8-08	RCA	8-08	MM	8-08
SA	8-08	TMM	8-08	MM	8-08
Designed By	Checked By	Designed By	Checked By	Quantities By	Checked By
				MM	MM
				MM	MM



FINISHED FACE OF (2) PEAK MTN. BANNER TEXTURE



FINISHED FACE WITH NO MTN. BANNER TEXTURE

NOTES:

1. Refer to Architectural Details Sheet (1 of 2) for sections.

APPROVED FOR CONSTRUCTION

Date 9-26-08



Print Date: 9/26/2008	
File Name: 16042K_WallDetails_02.dgn	
Horiz. Scale: 1:1	Vert. Scale: As Noted
Unit Information 0221	Unit Leader STW
SEMA CONSTRUCTION	WILSON & COMPANY

Sheet Revisions		
Date:	Comments	Init.

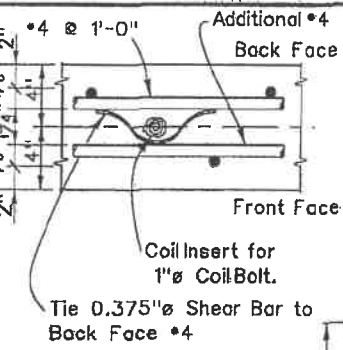
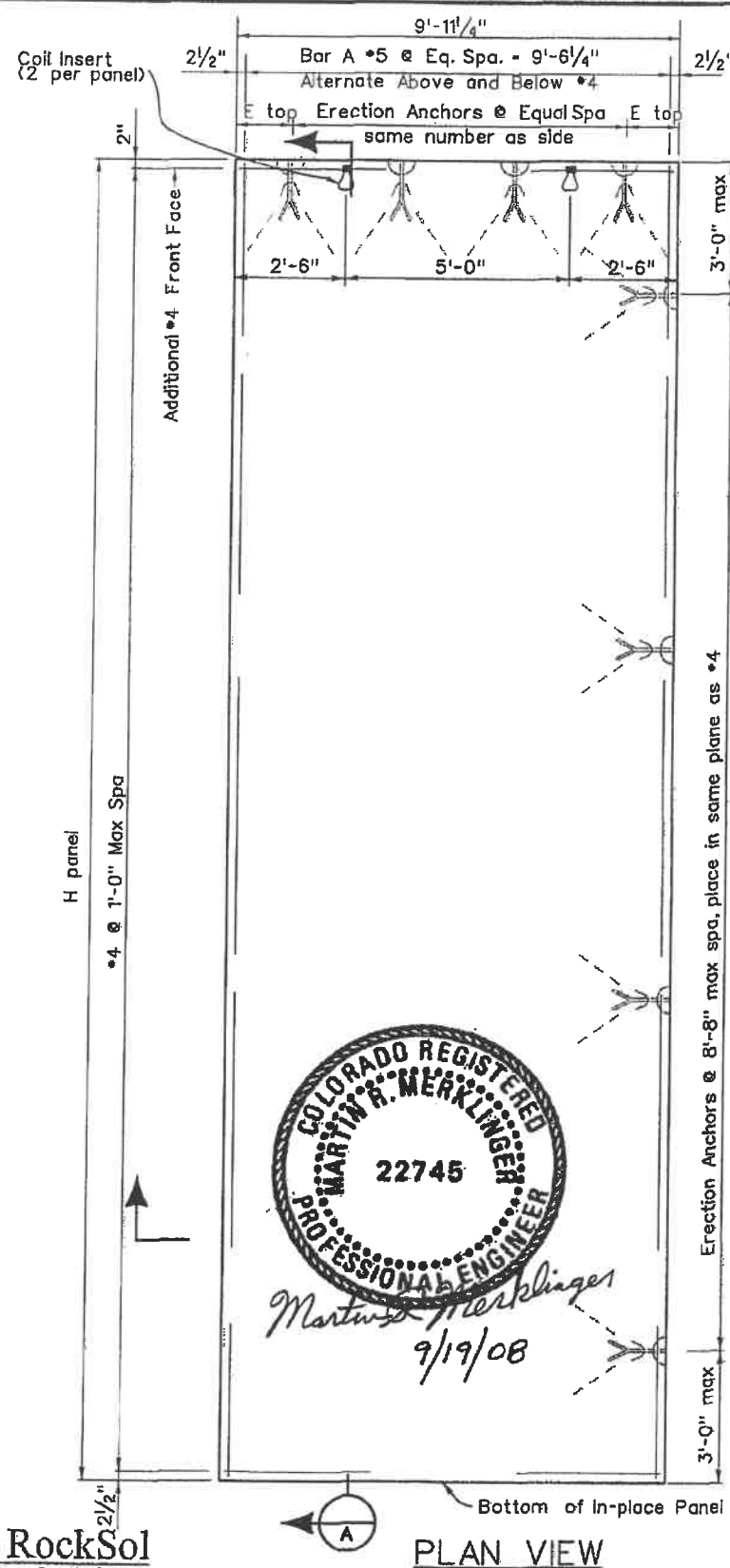
Colorado Department of Transportation
 3803 North Main Avenue
 Suite 200
 Durango, CO 81301
 Phone: 970-385-1440 FAX: 970-385-8365
Region 5 EJA

As Constructed
No Revisions:
Revised:
Void:

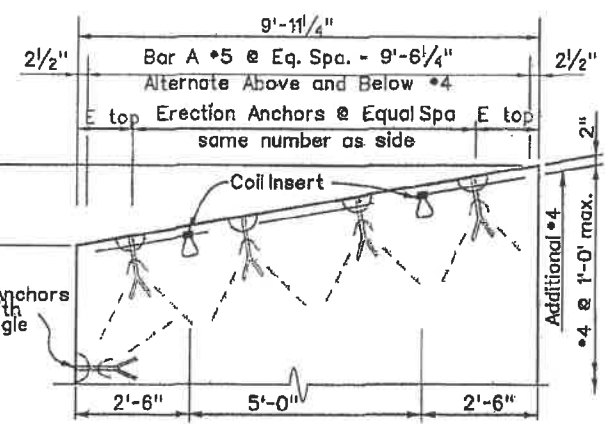
GROUND NAIL WALL ARCHITECTURAL DETAILS			
(2 OF 2)			
Designer:	T. Melton	Structure Numbers	WALL P-05-F
Detailer:	R. Artman	Structure Numbers	WALL P-05-K
Sheet Subset:	Wall	Subset Sheets:	W8 of 11

Project No./Code
NH 1602-114
16042
Sheet Number

Design		Detail		Quantities	
INITIAL	DATE	INITIAL	DATE	INITIAL	DATE
MM	07-08	MM	07-08	SAB	08-08
SAB	07-08	MM	07-08	AAR	08-08
Designed By	Checked By	Designed By	Checked By	Quantities By	Checked By



COIL INSERT DETAIL
Scale 1"=1'-0"

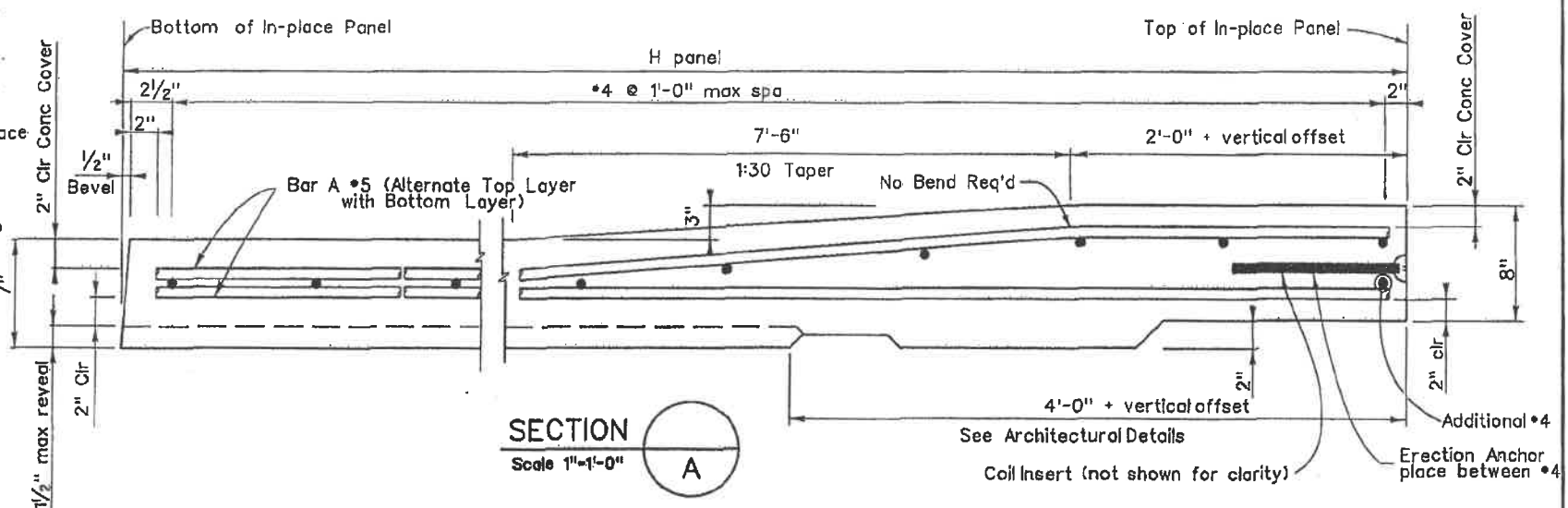


PARTIAL PLAN VIEW
Panels with Slope Top

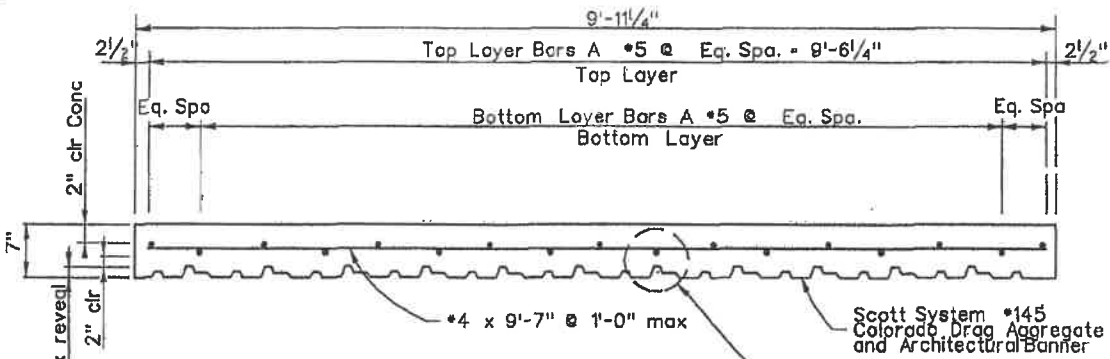
H Panel	Bars A	Top Layer	Bottom Layer
< 26'	15 #5	8 #5	7 #5
26' to 32'	21 #5	11 #5	10 #5

ERECTION ANCHORS			
Panel Weight	Side number, size	Top number, size	E top
< 16 Kips	(2) 4 ton	(2) 4 ton	2'-0"
16 kips to 32 kips	(4) 4 ton	(4) 4 ton	1'-4"
32 kips to 48 kips	(4) 6 ton	(4) 6 ton	1'-4"

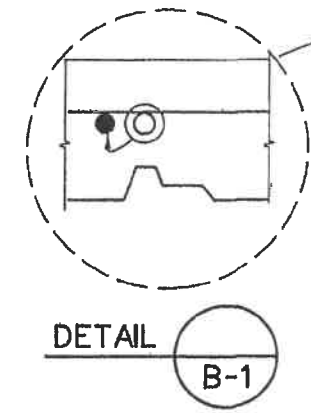
Dayton Superior/ Richmond Fleet Lift P-32 erection anchors or equal.



SECTION A
Scale 1"=1'-0"



SECTION B
Scale 1/2"=1'-0"



DETAIL B-1

APPROVED FOR CONSTRUCTION
Date 9/26/08

Adjust #5 laterally to avoid max reveals;
Adjust to achieve 2" clear to form
See Detail B-1

Notes:
Concrete Class D f'c = 4,500 psi, release = 2,500psi
Reinforcing Steel epoxy coated Grade 60
Panel design valid to maximum H panel = 32'
Removal of panel from casting bed requires casting bed inclined to 66 degrees min.



Print Date: 9/19/2008
File Name: 16042...WD354.dgn
Horiz. Scale: 1:1
Unit Information 0221
Unit Leader STW

Sheet Revisions		
Date:	Comments	Init.

Colorado Department of Transportation
3803 North Main Avenue
Suite 200
Durango, CO 81301
Phone: 970-385-1440 FAX: 970-385-8365
Region 5 EJA

As Constructed
No Revisions:
Revised:
Void:

GROUND NAIL WALL PRECAST PANEL DETAILS
Designer: M. Merklinger
Detailer: E. Bearden
Structure Numbers: WALL-P-05-F
WALL-P-05-K
Sheet Subset: Wall
Subset Sheets: W-9 of 11

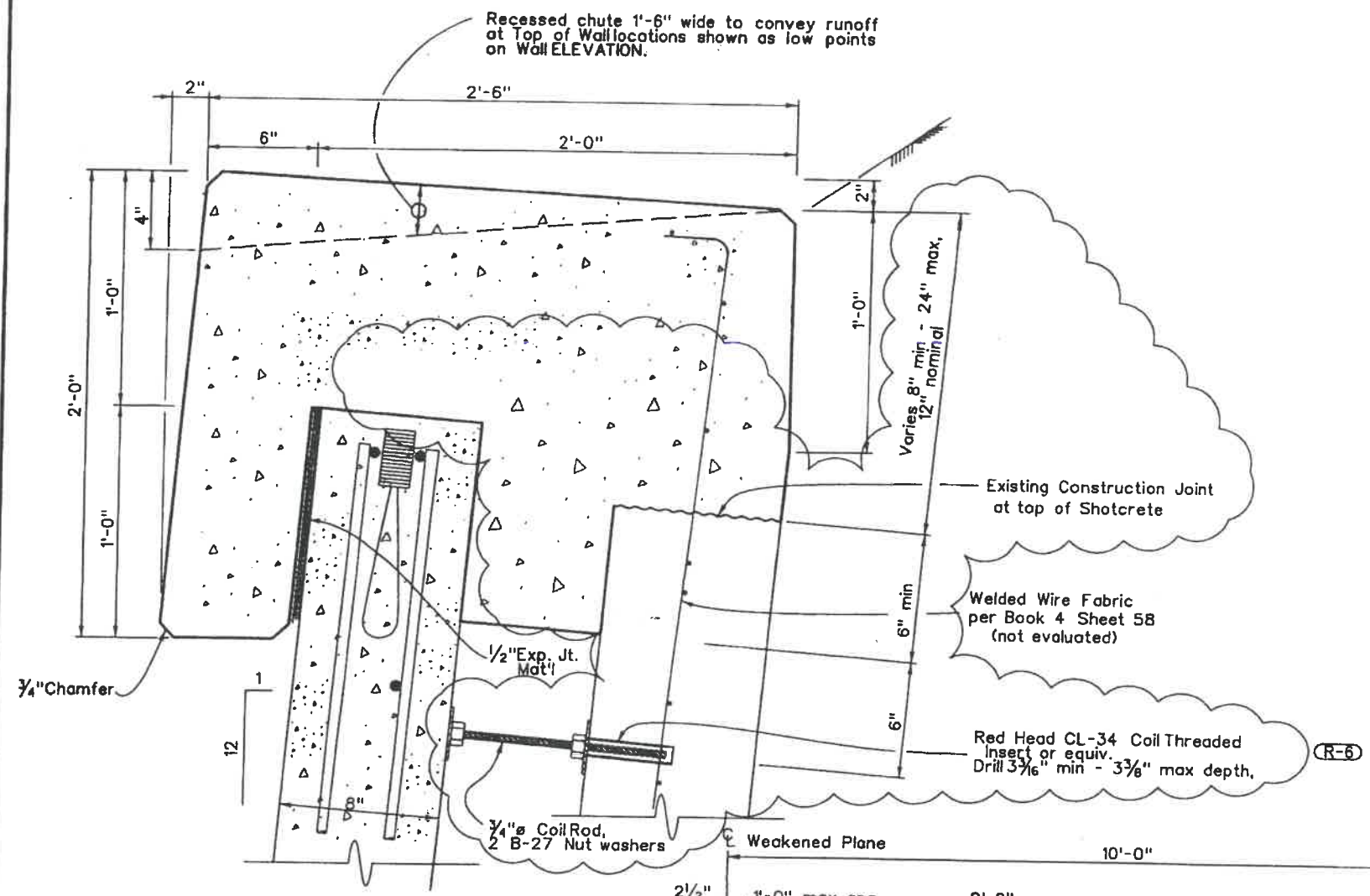
Project No./Code
NH 1602-114
16042
Sheet Number

FINAL DESIGN DOCUMENTS - 09/19/08

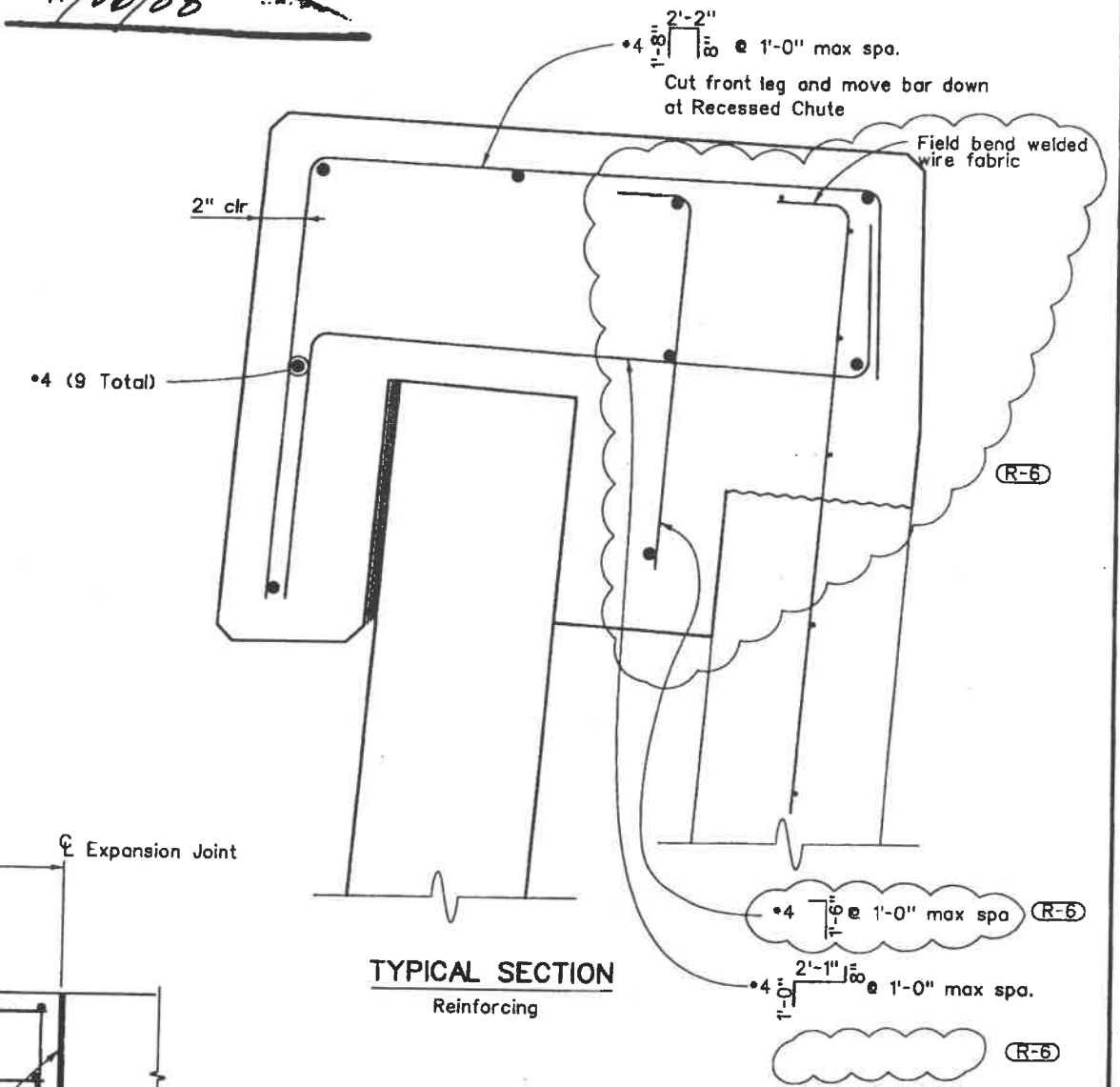
STICK

APPROVED FOR CONSTRUCTION

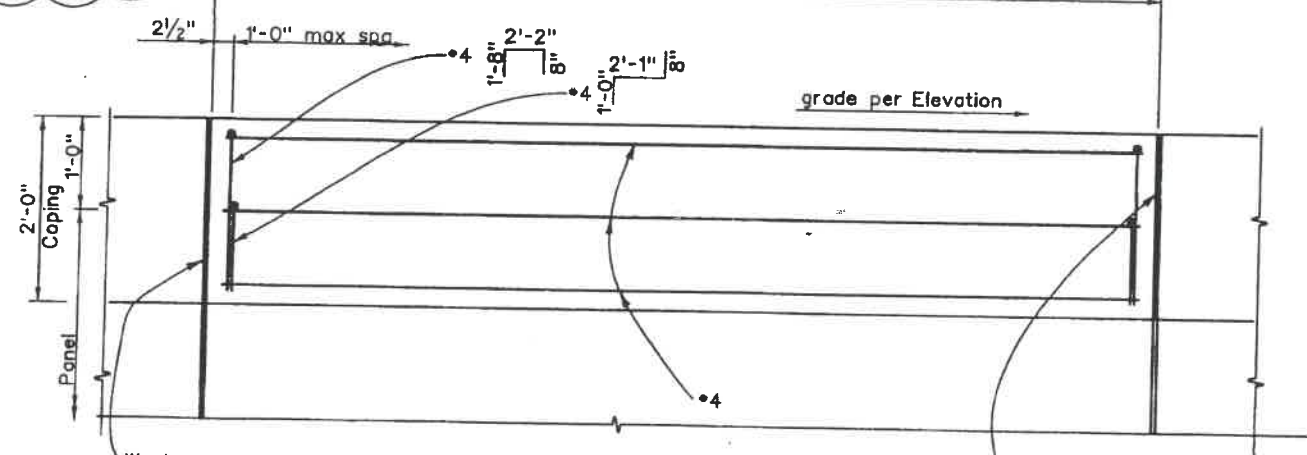
Date 11/06/08



INSTALLATION DETAIL



TYPICAL SECTION
Reinforcing



COPING ELEVATION

Notes:
Concrete Class B (Wall)
Reinforcing Steel (Epoxy Coated) Grade 60
3/4" @ Coil Rod Grade 100 with B-27 Nut washers
Temporary connection coil rod strut is adequate up to wind speed 75mph; Coping must be completed prior to wind speeds exceeding 75mph.

Design	Initial		Date		Checked By		Quantity	
	INITIAL	DATE	INITIAL	DATE	By	By	By	By
Designed By	MRM	07-08	SAB	07-08	Checked By	Checked By	Quantity	Quantity
Checked By	SAB	07-08	MRM	07-08	Checked By	Checked By	By	By
							By	By



Martin R. Merklinger
11/06/08

RockSol
Consulting Group, Inc.

Print Date: 11/6/2008	
File Name: 16042_WD355.dgn	
Horiz. Scale: 1:1 Vert. Scale: As Noted	
Unit Information 0221 Unit Leader STW	

Sheet Revisions		
Date:	Comments	Init.
11/06/08	Temporary Connection	MRM

Colorado Department of Transportation
3803 North Main Avenue
Suite 200
Durango, CO 81301
Phone: 970-385-1440 FAX: 970-385-8365
Region 5 **EJA**

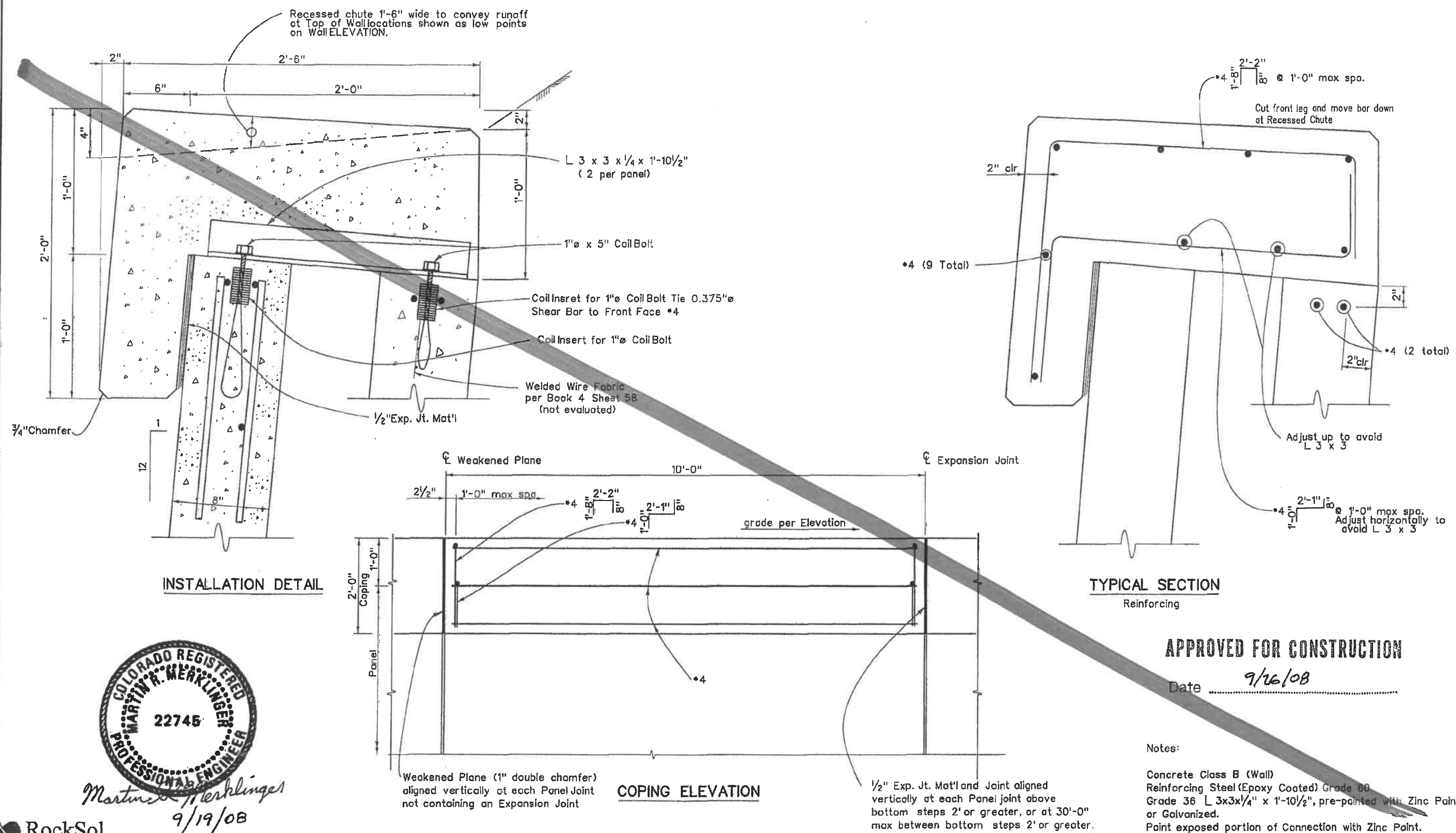
As Constructed
No Revisions:
Revised:
Void:

GROUND NAIL WALL COPING DETAILS			
Designer:	M. Merklinger	Structure Numbers	WALL-P-05-F
Detailer:	E. Bearden	Structure Numbers	WALL-P-05-K
Sheet Subset:	Wall	Subset Sheets:	W-10 of 11

Project No./Code	
NH 1602-114	
16042	
Sheet Number	

FINAL DESIGN DOCUMENTS - 11/06/08

FINAL DESIGN DOCUMENTS - 09/19/08



Design		Detail		Quantity	
INITIAL	DATE	INITIAL	DATE	INITIAL	DATE
MRM	07-08	ESB	07-08	SAB	08-08
Checked By	Checked By	Checked By	Checked By	Checked By	Checked By
SAS	07-08	MRM	07-08	ARR	08-08



Martin R. Merklinger
9/19/08



APPROVED FOR CONSTRUCTION
Date 9/16/08

- Notes:
- Concrete Class B (Wall)
 - Reinforcing Steel (Epoxy Coated) Grade 60
 - Grade 36 L 3x3x1/4" x 1'-10 1/2", pre-painted with Zinc Paint or Galvanized.
 - Paint exposed portion of Connection with Zinc Paint.

Print Date: 9/19/2008	File Name: 16042_WD355.dgn
Horiz. Scale: 1:1	Vert. Scale: As Noted
Unit Information 0221	Unit Leader STW
SEMA CONSTRUCTION	WILSON & COMPANY

Sheet Revisions		
Date:	Comments	Init.

Colorado Department of Transportation
3803 North Main Avenue
Suite 200
Durango, CO 81301
Phone: 970-385-1440 FAX: 970-385-8365
Region 5 **EJA**

As Constructed
No Revisions:
Revised:
Void:

GROUND NAIL WALL COPING DETAILS			
Designer:	M. Merklinger	Structure	WALL-P-05-F
Detailer:	E. Bearden	Numbers	WALL-P-05-K
Sheet Subset:	Wall	Subset Sheets:	W-10 of 11

Project No./Code	NH 1602-114
Sheet Number	16042

