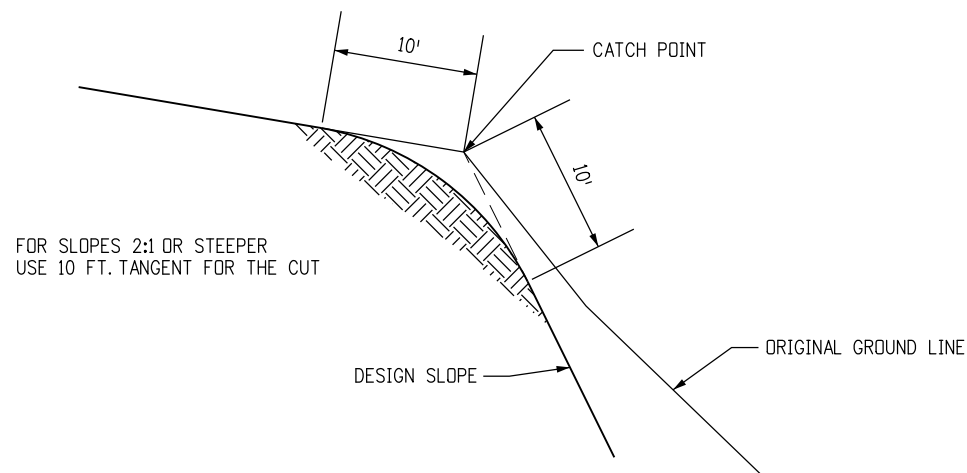


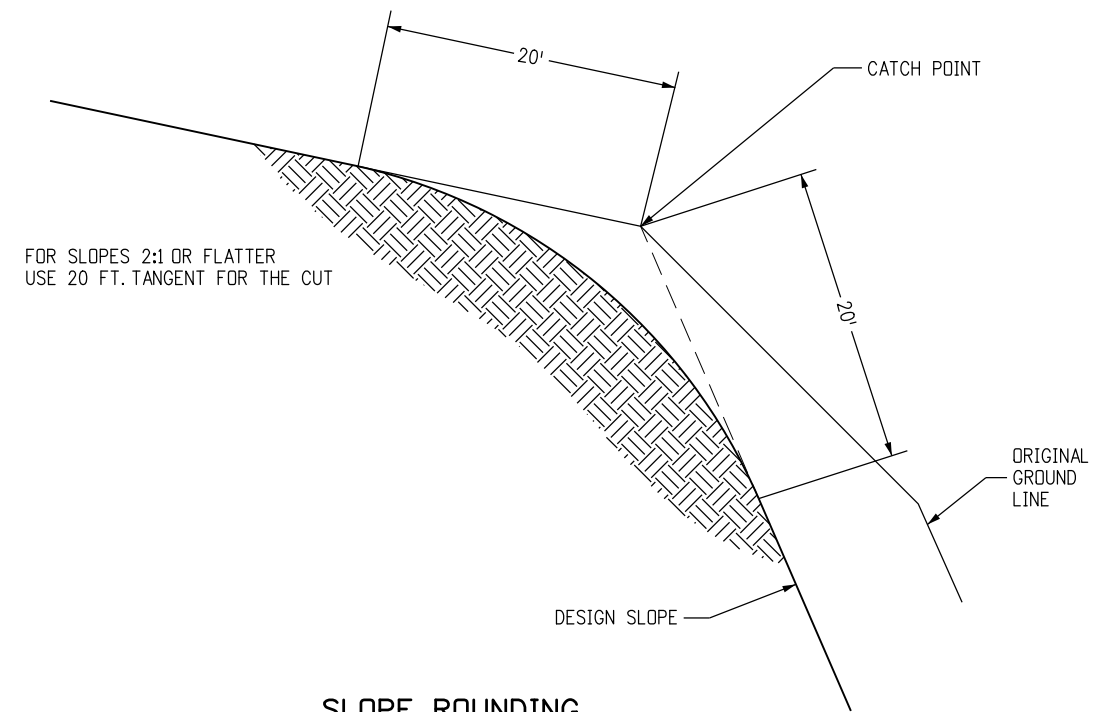
SLOPE ROUNDING DETAIL



**SLOPE ROUNDING
2:1 OR STEEPER**

GENERAL NOTES

1. THE CONTRACTOR SHALL NOTIFY THE ENGINEER PRIOR TO BEGINNING THE SLOPE ROUNDING FOR ACCEPTANCE OF THE COMPLETED DESIGN SLOPE WORK.
2. SLOPE ROUNDING SHALL MATCH THE EXISTING TERRAIN.




**SLOPE ROUNDING
2:1 OR FLATTER**

**SLOPE ROUNDING DETAIL
D-203-3**

APPLICATION: USE THE SLOPE ROUNDING DETAIL WHEN A SLOPE ROUNDING QUANTITY IS INCLUDED IN THE EARTHWORK SUMMARY. SLOPE BLANKETING TREATMENT MAY BE REQUIRED FOR EROSION CONTROL. FOR ERODABLE SLOPES, A DITCH WILL BE REQUIRED AT THE TOP OF THE CUT TO DIVERT RUNOFF. PROVIDE A DITCH DETAIL IN THE PLANS.

HISTORY: THIS DETAIL ESTABLISHES ROUNDING LIMITS FOR FLAT (2:1 OR FLATTER) AND STEEP (2:1 OR STEEPER) SLOPES. THIS WILL ADDRESS THE PROBLEM OF OVERBURDEN AT THE TOP OF STEEP SLOPES, AND ALSO DEFINE THE BUFFER ZONE PAST THE "CATCH POINT" SO EASEMENTS OR ADDITIONAL RIGHT OF WAY CAN BE OBTAINED.

PLEASE CALL THE STANDARDS ENGINEER AT 303-757-9021 FOR ANY QUESTIONS. DATE: JULY 4, 2006
PLEASE DELETE THIS BLOCK BEFORE USING THIS DETAIL ON A PROJECT. SRJ/LTA

Computer File Information		Sheet Revisions		Colorado Department of Transportation		As Constructed		SLOPE ROUNDING DETAIL D-203-3		Project No./Code	
Creation Date: 07/04/06	Initials: SRJ	(R-X)	mm/dd/yy	XXXXXXX	XXXXXX	 Street Address Office location City, CO Zip code Phone: XXX-XXX-XXXX FAX: XXX-XXX-XXXX Region, Unit Intials/Intials	No Revisions:	mm/dd/yy	Designer: XXXXXXXX	Code	Number
Last Modification Date: 07/04/06	Initials: LTA	(R-X)	mm/dd/yy	XXXXXXX	XXXXXX		Revised:	mm/dd/yy			
Full Path: www.dot.state.co.us/DesignSupport/		(R-X)	mm/dd/yy	XXXXXXX	XXXXXX		Void:	mm/dd/yy	Sheet Subset: XXXXXXXX	Subset Sheets: XXX of XXX	Sheet Number: 1 of 1
Drawing File Name: D0203020101.dgn		(R-X)	mm/dd/yy	XXXXXXX	XXXXXX						
CAD Ver.: MicroStation V8 Scale: Not to Scale Units: English		(R-X)	mm/dd/yy	XXXXXXX	XXXXXX						