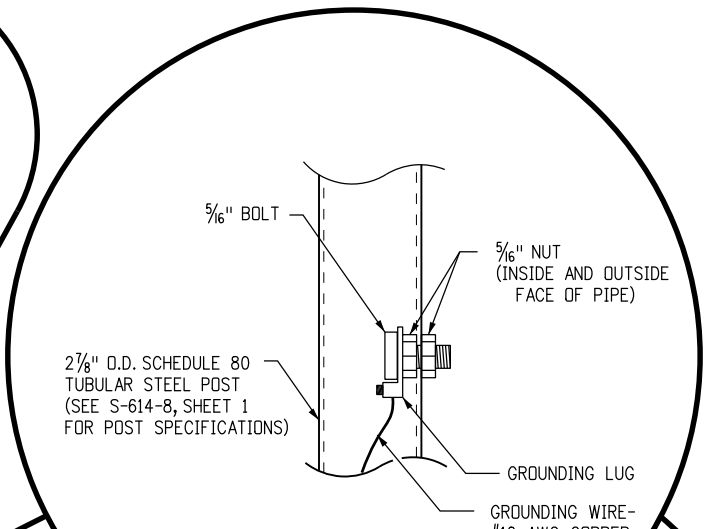
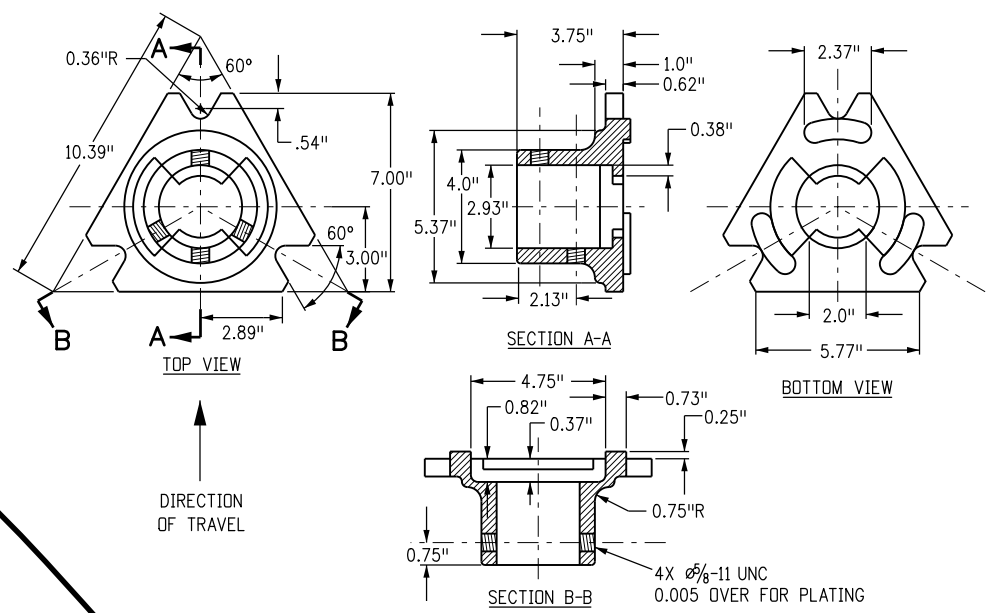


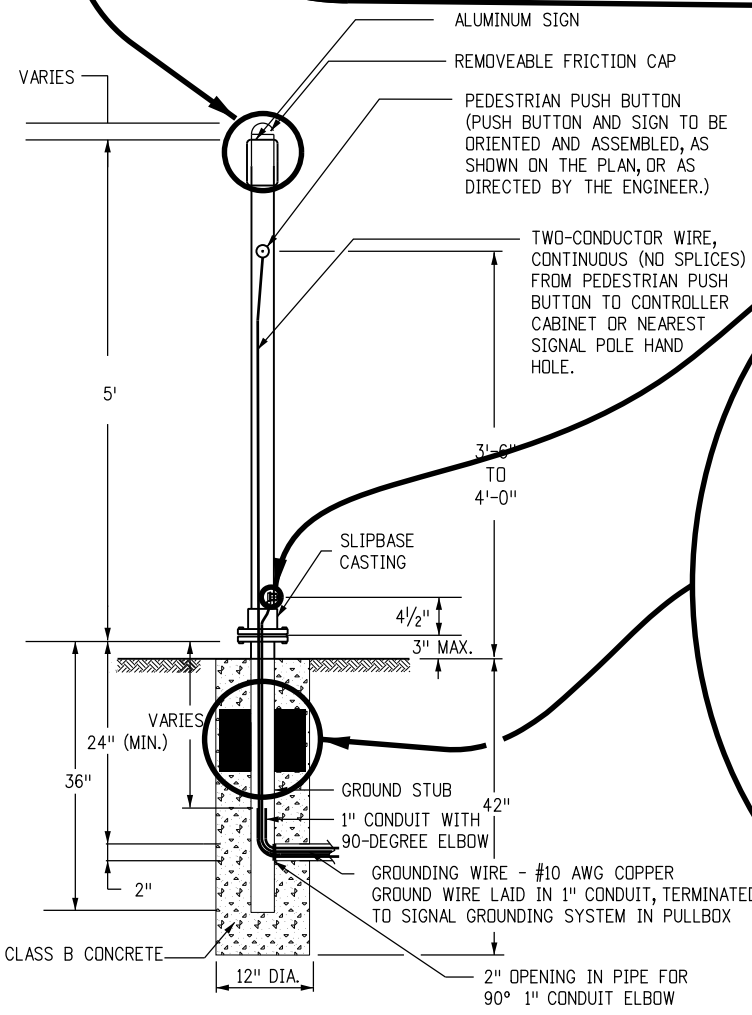
SIGN/PIPE CONNECTION DETAIL



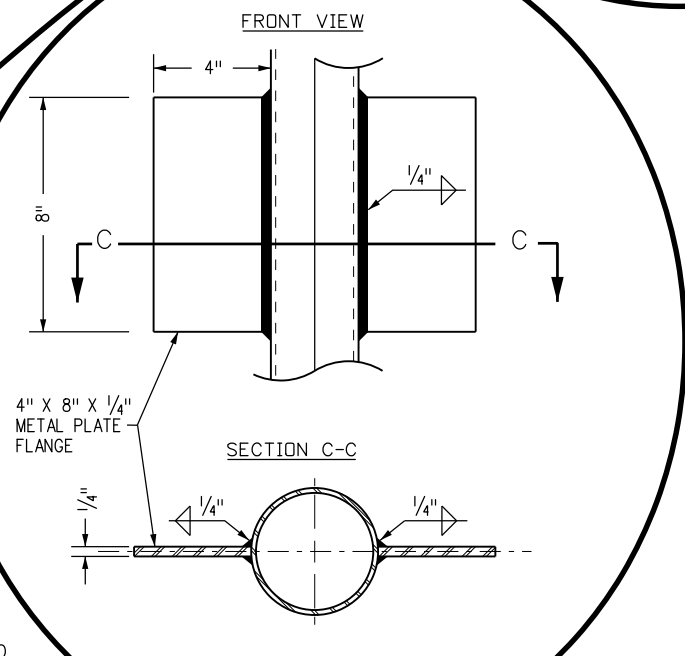
GROUND WIRE/PIPE CONNECTION DETAIL



SLIPBASE CASTING



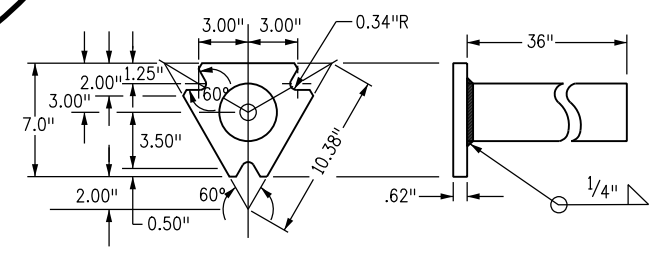
TUBULAR STEEL POSTS WITH SLIPBASE (SINGLE POST)



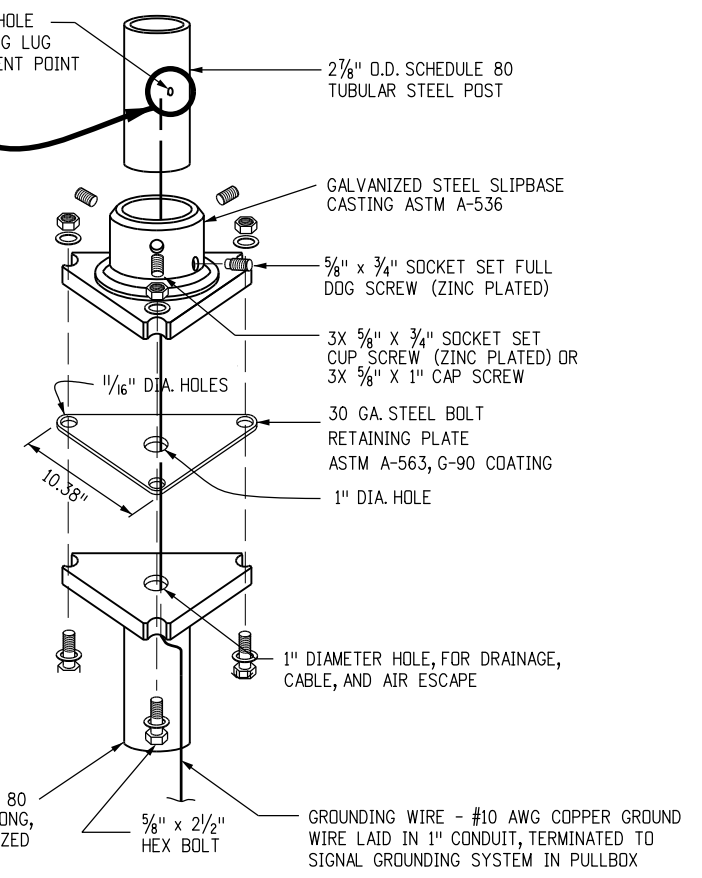
POST ANCHOR DETAILS

GENERAL NOTE

1. THE CONTRACTOR SHALL INSTALL THE POSTS PER THE MANUFACTURER'S RECOMMENDATIONS WITHOUT ADDITIONAL COMPENSATION.
2. ALL POSTS SHALL BE GALVANIZED, AND PAINTED WITH THE COLOR, AS SPECIFIED IN THE PLANS.
3. PUSH BUTTONS SHALL BE ADA COMPLIANT.
4. CONCRETE SHALL BE SAW CUT TO A NEAT LINE TO PLACE 1" CONDUIT. BACK FILL THE TRENCH WITH FLOW FILL, TOP OF TRENCH SHALL BE CONCRETE, CLASS B, AT A DEPTH MATCHING SURROUNDING DEPTH OF CONCRETE.



SLIPBASE STUB POST



TYPICAL SLIPBASE ASSEMBLY

Computer File Information	
Creation Date: 07/04/12	Initials: KEN
Last Modification Date:	Initials:
Full Path: www.coloradodot.info/library/traffic/traffic-s-standard-plans	
Drawing File Name: S-614-09_1of1.dgn	
CAD Ver.: MicroStation V8	Scale: Not to Scale Units: English

Sheet Revisions	
Date:	Comments
(R-X)	
(R-X)	
(R-X)	
(R-X)	

Colorado Department of Transportation
 4201 East Arkansas Avenue
 Denver, Colorado 80222
 Phone: (303) 757-9543
 Fax: (303) 757-9219
 Safety & Traffic Engineering Branch KCM/KEN

PEDESTRIAN PUSH BUTTON POST ASSEMBLY
 Issued By: Safety & Traffic Engineering Branch July 4, 2012

STANDARD PLAN NO.
 S-614-9
 Sheet No. 1 of 1