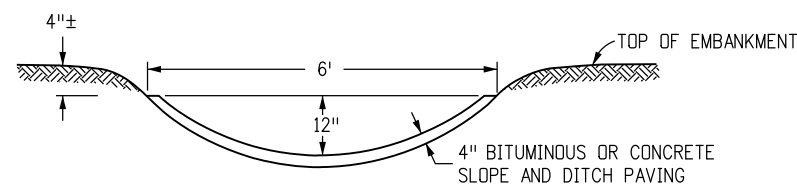
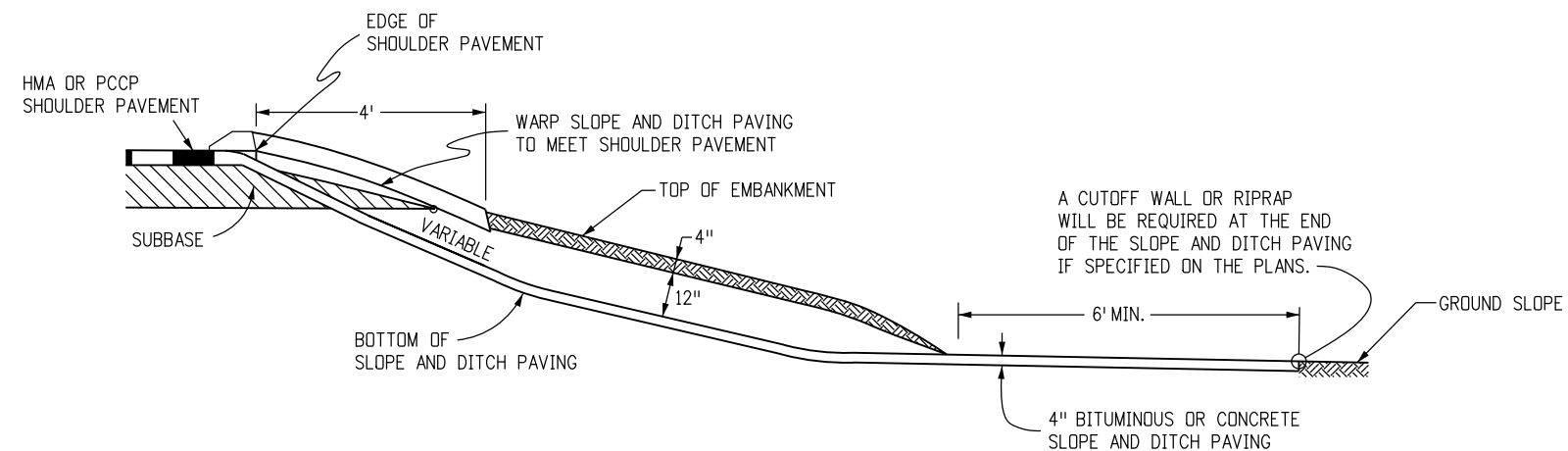


GENERAL NOTES

1. IF THE EMBANKMENT PROTECTOR IS LOCATED IN THE BOTTOM OF A SAG VERTICAL CURVE, FLARE THE CURB ON EACH SIDE OF THE INLET TO ALLOW FOR FLOW FROM BOTH DIRECTIONS.
2. DETAILS OF CURBING ARE SHOWN IN STANDARD PLAN M-609-1.
3. STRUCTURE BACKFILL MATERIAL SHALL NOT BE USED IN THIS WORK. EMBANKMENT MATERIAL SHALL BE USED WITH CONSTRUCTION REQUIREMENTS IN ACCORDANCE WITH SECTION 203. EMBANKMENT MATERIAL WILL NOT BE PAID FOR SEPARATELY, BUT SHALL BE INCLUDED IN THE PAY ITEM FOR EMBANKMENT PROTECTOR (TYPE 5).
4. PAYMENT FOR THE QUANTITIES SHOWN ON THE PLANS FOR THIS WORK SHALL BE AS FOLLOWS:
 - 507 - BITUMINOUS SLOPE AND DITCH PAVING (ASPHALT) TON
 - 507 - CONCRETE SLOPE AND DITCH PAVING CU. YD.
 - 609 - CURB, TYPE 4 OR TYPE 6 (SECTION M) LINEAR FT.
 - 615 - EMBANKMENT PROTECTOR (TYPE 5) EACH
 NOTE: THIS PAYMENT INCLUDES THE STRUCTURE EXCAVATION, ANY OTHER EARTHWORK, AND ANY EXTRA WORK REQUIRED TO MODIFY OTHER PAY ITEMS.



SECTION A-A



SECTION B-B

(WITH 4 IN. BITUMINOUS OR CONCRETE SLOPE AND DITCH PAVING)

Computer File Information	
Creation Date: 07/04/12	Initials: DD
Last Modification Date: 07/04/12	Initials: LTA
Full Path: www.coloradodot.info/business/designsupport	
Drawing File Name: 615020101.dgn	
CAD Ver.: MicroStation V8 Scale: Not to Scale Units: English	

Sheet Revisions	
Date:	Comments
(R-X)	
(R-X)	
(R-X)	
(R-X)	

Colorado Department of Transportation
 4201 East Arkansas Avenue
 Denver, Colorado 80222
 Phone: (303) 757-9083
 Fax: (303) 757-9820

Project Development Branch DD/LTA

EMBANKMENT PROTECTOR TYPE 5

Issued By: Project Development Branch July 4, 2012

STANDARD PLAN NO.
M-615-2
Sheet No. 1 of 1