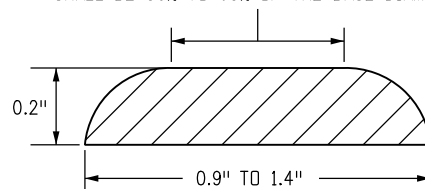


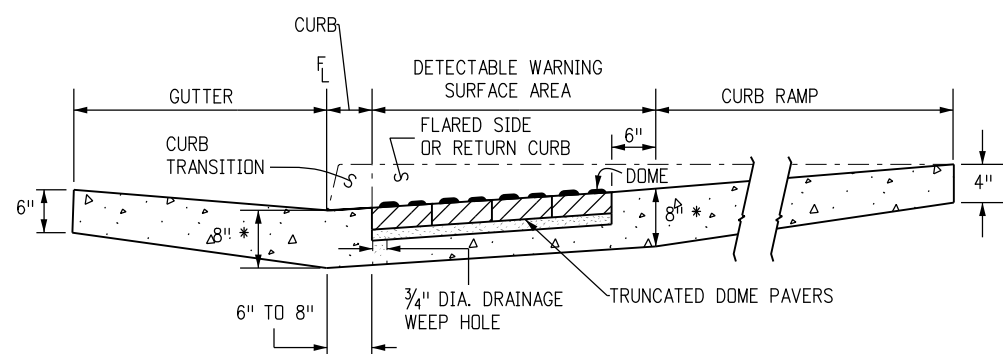
* INCREASE CONCRETE DEPTH WHEN USING PAVERS

SECTION VIEW FOR PARALLEL CURB RAMP TYPES
(LOOKING PERPENDICULAR TO TURNING SPACE)

THE TOP DIAMETER OF THE TRUNCATED DOMES SHALL BE 50% TO 65% OF THE BASE DIAMETER



ELEVATION VIEW OF SINGLE TRUNCATED DOME

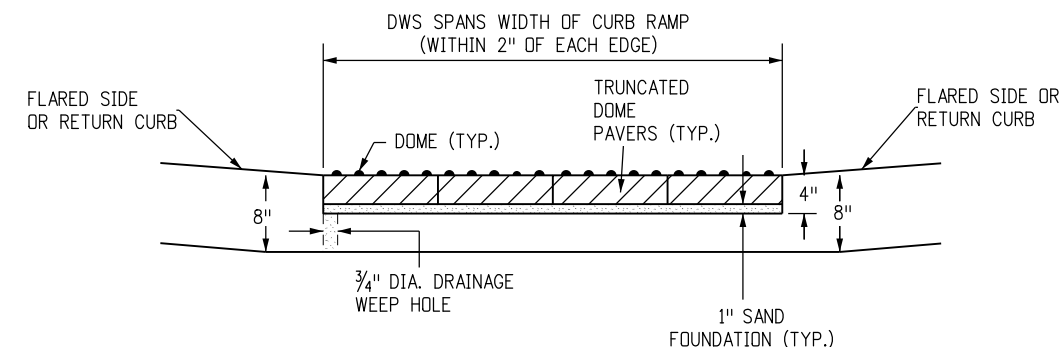


* INCREASE CONCRETE DEPTH WHEN USING PAVERS

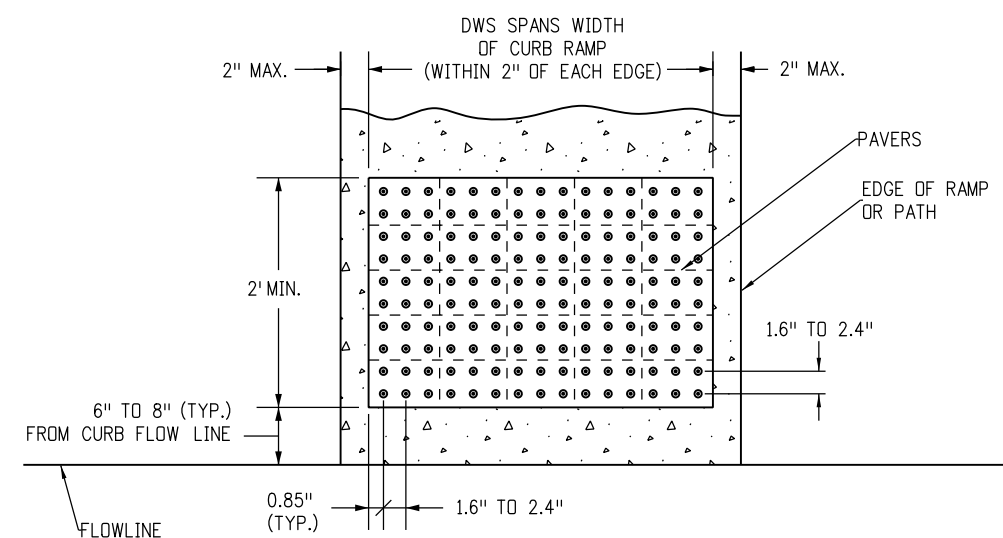
SECTION VIEW FOR PERPENDICULAR CURB RAMP TYPES
(LOOKING PERPENDICULAR TO RAMP RUN)

NOTES

- ① REFER TO STANDARD M-608-1 FOR CURB RAMP AND DETECTABLE WARNING SURFACE PLACEMENT REQUIREMENTS.
- ② USE OF TRUNCATED DOME DETECTABLE WARNING SURFACE PAVERS MUST BE APPROVED BY THE ENGINEER.
- ③ WHEN TRUNCATED DOME PAVERS ARE USED A DRAINAGE WEEP HOLE MUST BE PROVIDED. THE DRAINAGE WEEP HOLE SHALL BE LOCATED AT THE LOWEST POINT OF THE DETECTABLE WARNING WELL.




SECTION VIEW OF DETECTABLE WARNING SURFACE PAVERS
(LOOKING AT RAMP RUN FROM STREET)



PLAN VIEW OF DETECTABLE WARNING SURFACE PLATE OR PAVERS

DETECTABLE WARNING SURFACE PAVER DETAILS

Computer File Information		Sheet Revisions		Colorado Department of Transportation		As Constructed		CURB RAMPS		Project No./Code	
Creation Date: 05/03/19	Initials: JBK	(R-X)	mm/dd/yy	XXXXXXXX	XXXXXX	 Street Address Office location City, CO Zip code Phone: XXX-XXX-XXXX FAX: XXX-XXX-XXXX	No Revisions:	mm/dd/yy	Designer: XXXXXXXX Detailer: XXXXXXXX Sheet Subset: XXXXXXXX	Subset Sheets: XXX of XXX	D-608-1
Last Modification Date: 05/03/19	Initials: LTA	(R-X)	mm/dd/yy	XXXXXXXX	XXXXXX		Revised:	mm/dd/yy			Code
Full Path: www.codot.gov/business/designsupport/		(R-X)	mm/dd/yy	XXXXXXXX	XXXXXX		Void:	mm/dd/yy			Sheet Number: 1 of 1
Drawing File Name: D06080101010		(R-X)	mm/dd/yy	XXXXXXXX	XXXXXX						
CAD Ver.: MicroStation V8 Scale: Not to Scale Units: English		(R-X)	mm/dd/yy	XXXXXXXX	XXXXXX						