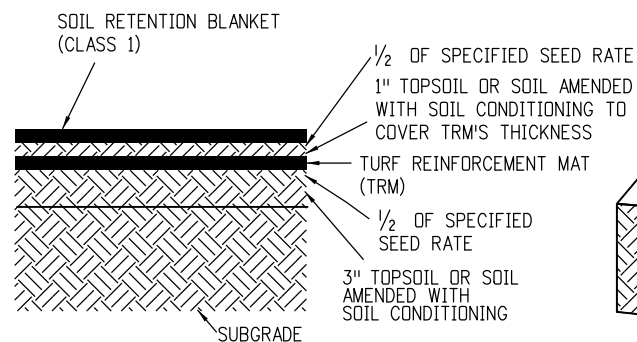


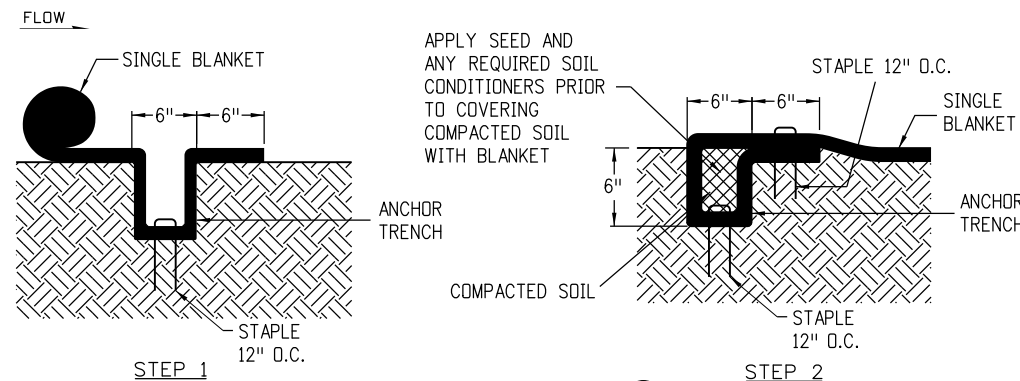
**TYPICAL STAPLE PATTERN FOR CHANNEL APPLICATION**

SEE SUBSECTION 216.05.



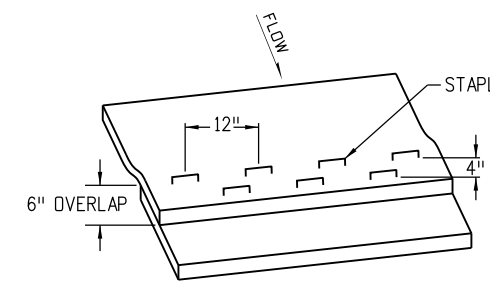
**SOIL FILLED TRM APPLICATION**

1. PLACE 3" TOPSOIL OR SOIL AMENDED WITH SOIL CONDITIONING.
2. APPLY HALF OF THE SPECIFIED SEED AT THE BROADCAST RATE AND RAKE IT INTO THE SOIL.
3. INSTALL TRM.
4. PLACE 1" TOPSOIL OR SOIL AMENDED WITH SOIL CONDITIONING INTO THE MATRIX TO COVER THE PRODUCT'S THICKNESS.
5. APPLY THE REMAINING HALF OF THE SPECIFIED SEED AT THE BROADCAST RATE AND RAKE IT INTO THE SOIL.
6. INSTALL SOIL RETENTION BLANKET (CLASS 1).



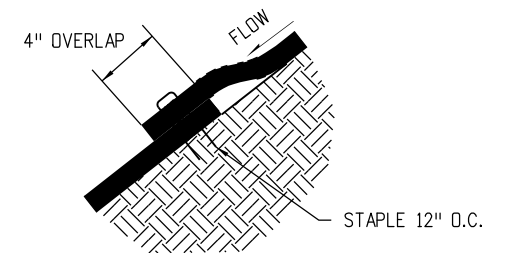
**ANCHOR TRENCH (A)**

TO BE USED AT THE BEGINNING AND END OF THE CHANNEL ACROSS IT'S ENTIRE WIDTH.



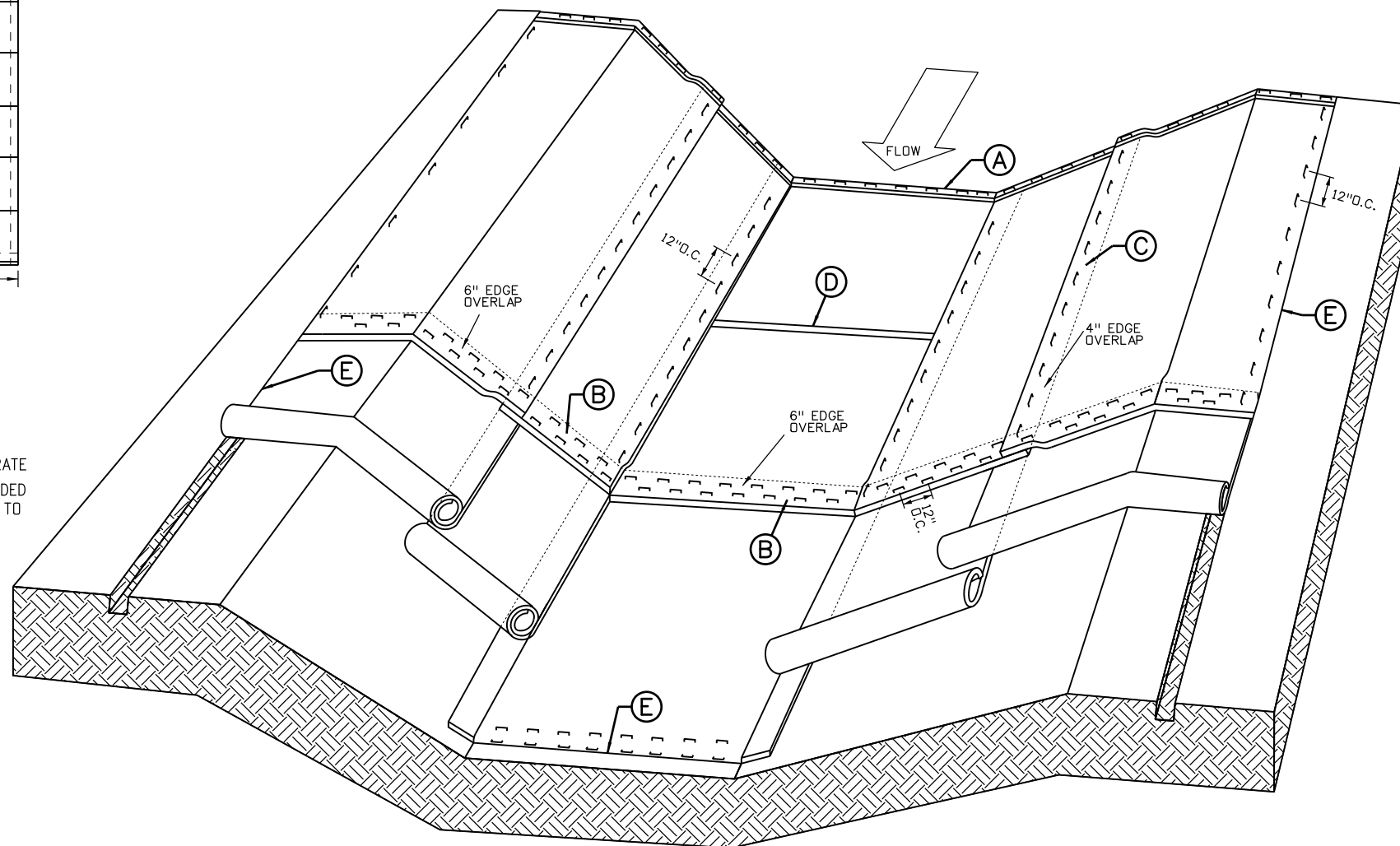
**CONSECUTIVE ROLL OVERLAP (B)**

TO BE USED WHEREVER ONE ROLL OF BLANKET ENDS AND ANOTHER BEGINS WITH UPSTREAM BLANKET PLACED ON TOP OF THE BLANKET ON THE DOWNSTREAM SIDE.



**SIDE SEAM OVERLAP (C)**

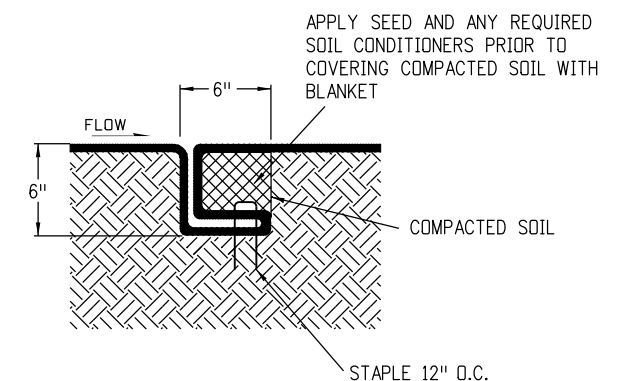
TO BE USED FOR OVERLAP WHEN 2 WIDTHS OF BLANKET ARE APPLIED SIDE BY SIDE WITH THE UPHILL BLANKET PLACED ON TOP OF THE BLANKET ON THE DOWNHILL SIDE.



**SOIL RETENTION BLANKETS/TURF REINFORCEMENT MATS (TRM)**

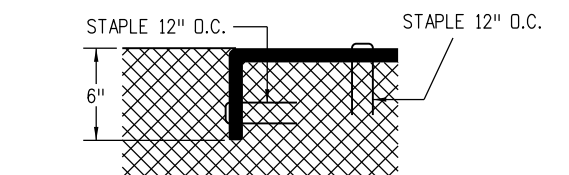
**CHANNEL APPLICATION**

IN ACCORDANCE WITH SECTION 216.



**CHANNEL CHECK SLOT (D)**

TO BE USED AT 30' INTERVALS IN CHANNEL FLOWLINE.



**TERMINATION OF CHANNEL (E)**

**GENERAL NOTES**

1. Z SHAPED FOLD TO BE USED ON SLOPE EVERY 35 FEET MAXIMUM.
2. STAPLE CHECK LOCATIONS SHOULD BE AT LEAST 15 FEET FROM THE BOTTOM OF SLOPE.

**Computer File Information**

Creation Date: 07/31/19	(R-X)
Designer Initials: JBK	(R-X)
Last Modification Date: 07/31/19	(R-X)
Detailer Initials: LTA	(R-X)
CAD Ver.: MicroStation V8 Scale: Not to Scale Units: English	(R-X)

**Sheet Revisions**

Date:	Comments

Colorado Department of Transportation  
 2829 West Howard Place  
 CDDT HQ, 3rd Floor  
 Denver, CO 80204  
 Phone: 303-757-9021 FAX: 303-757-9868  
 Project Development Branch JBK

**SOIL RETENTION COVERING**

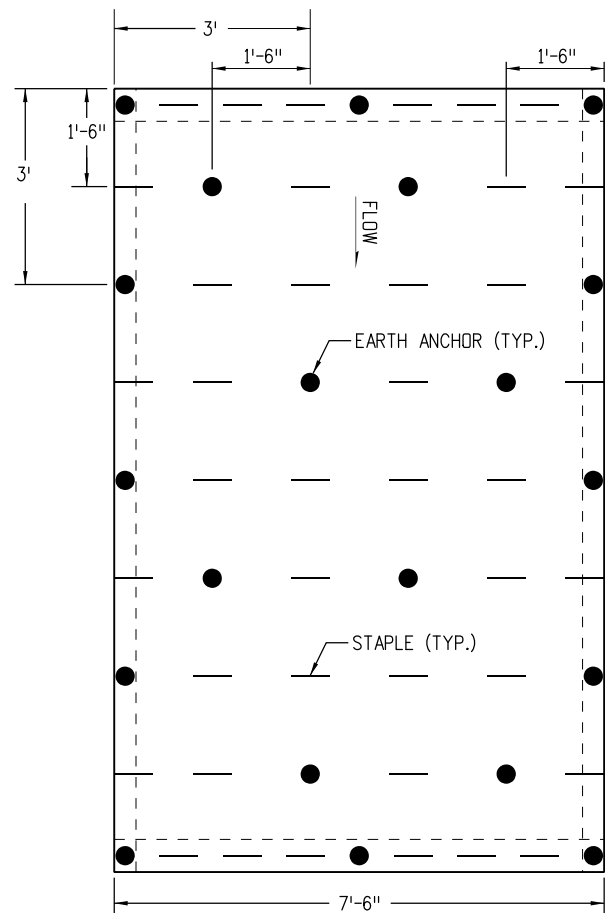
Issued by the Project Development Branch: July 31, 2019

**STANDARD PLAN NO.**

M-216-1

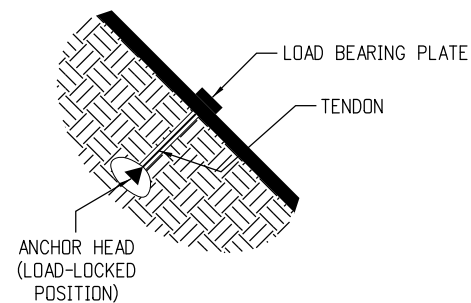
**Standard Sheet No. 1 of 2**

Project Sheet Number:



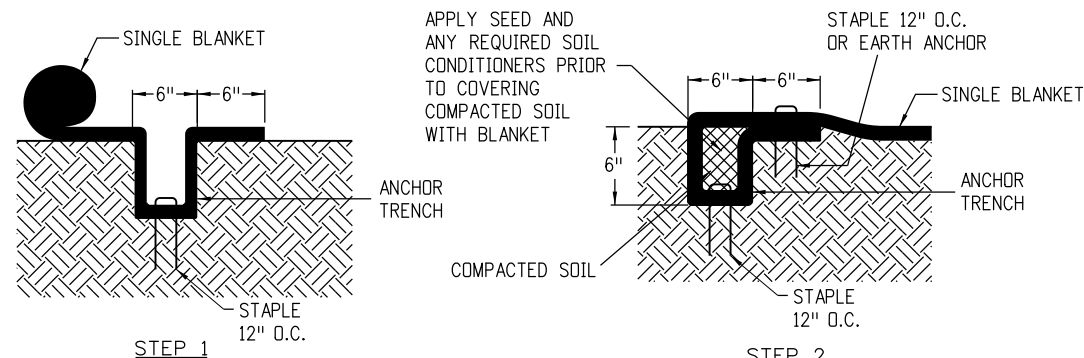
**TYPICAL STAPLE OR EARTH ANCHOR PATTERN FOR SLOPE APPLICATION**

IF EARTH ANCHORS ARE NOT SPECIFIED ON THE PLANS, ONLY STAPLES SHALL BE USED. SEE SUBSECTION 216.04



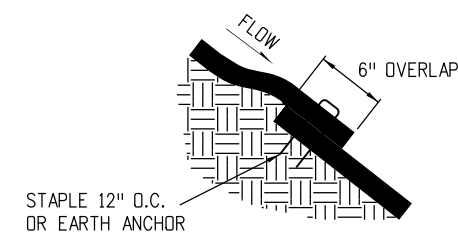
**EARTH ANCHOR**

- NOTES:
1. EARTH ANCHORS WILL BE USED INSTEAD OF STAPLES WHEN SPECIFIED IN THE PLANS.
  2. EARTH ANCHORS SHALL BE PAID FOR SEPERATLY AS SPECIFIED IN SECTION 216.



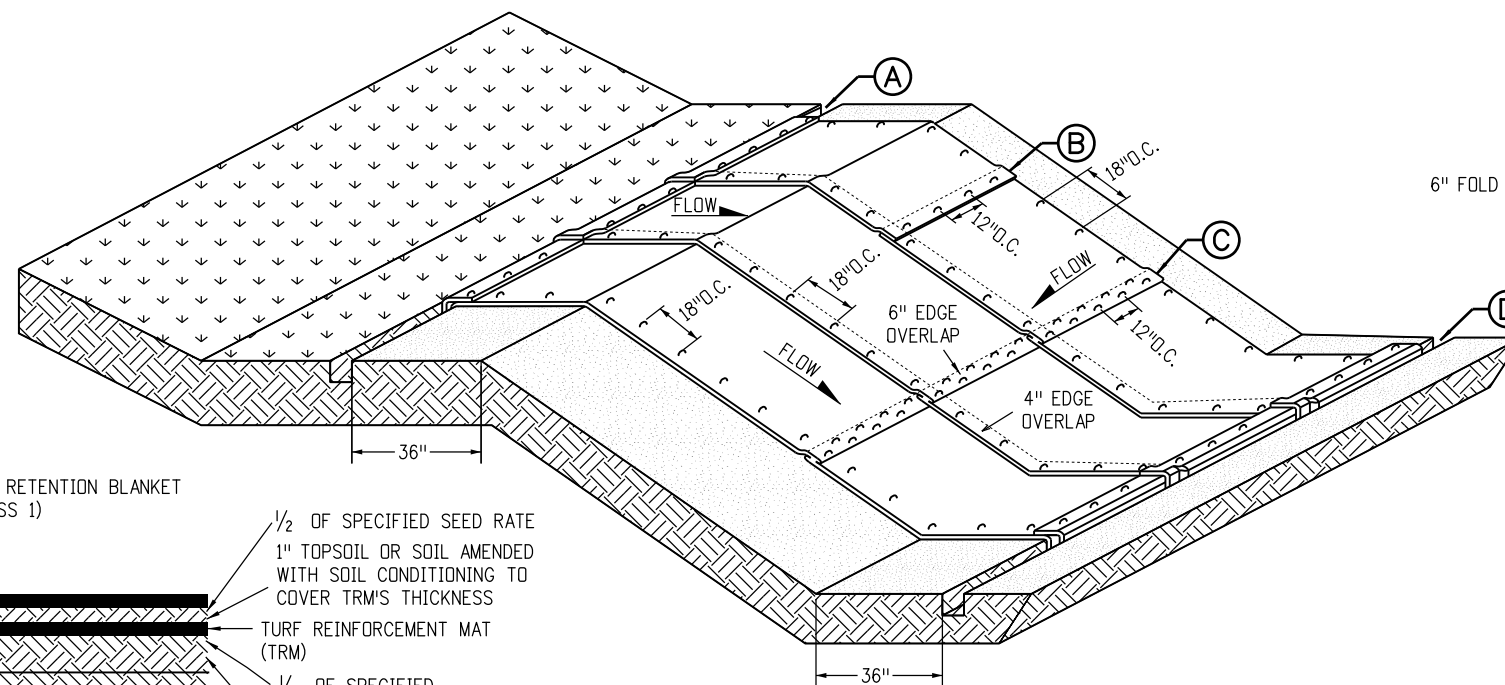
**ANCHOR TRENCH (A)**

TO BE USED AT THE UPSLOPE AND DOWNSLOPE ENDS OF BLANKET ACROSS THE ENTIRE WIDTH OF SLOPE UNLESS SLOPE RUNS INTO RECEIVING WATER. (SEE DOWNSLOPE END STAPLE CHECK).



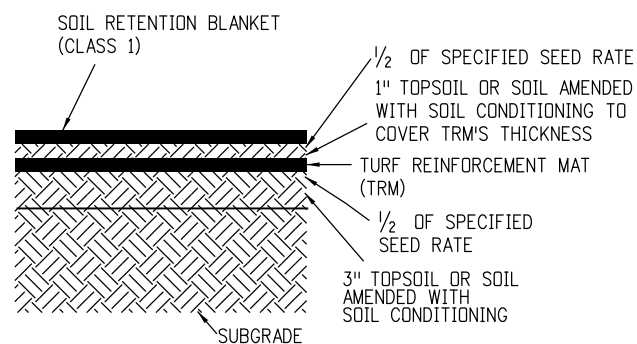
**CONSECUTIVE ROLL OVERLAP (B)**

TO BE USED WHEREVER ONE ROLL OF BLANKET ENDS AND ANOTHER BEGINS WITH THE UPHILL BLANKET PLACED ON TOP OF THE BLANKET ON THE DOWNHILL SIDE.



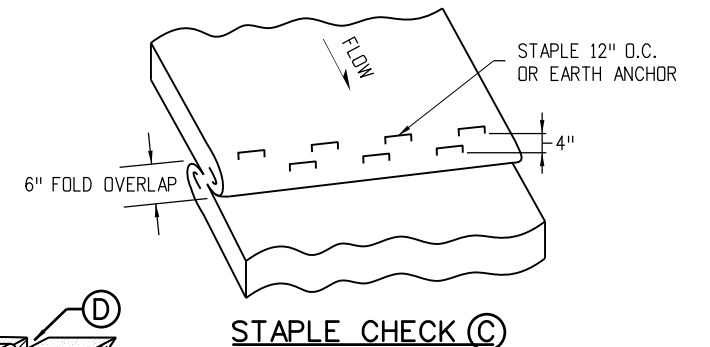
**SOIL RETENTION BLANKETS/TURF REINFORCEMENT MATS (TRM) SLOPE APPLICATION**

IN ACCORDANCE WITH SECTION 216.

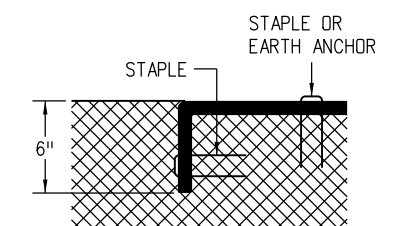


**SOIL FILLED TRM APPLICATION**

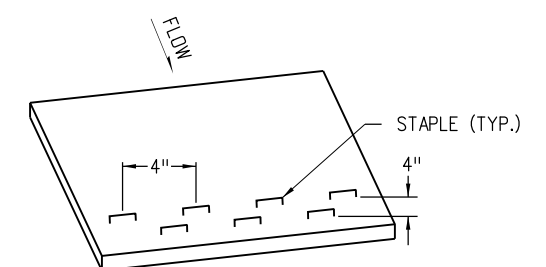
1. PLACE 3" TOPSOIL OR SOIL AMENDED WITH SOIL CONDITIONING.
2. APPLY HALF OF THE SPECIFIED SEED AT THE BROADCAST RATE AND RAKE IT INTO THE SOIL.
3. INSTALL TRM.
4. PLACE 1" TOPSOIL OR SOIL AMENDED WITH SOIL CONDITIONING INTO THE MATRIX TO COVER THE PRODUCT'S THICKNESS.
5. APPLY THE REMAINING HALF OF THE SPECIFIED SEED AT THE BROADCAST RATE AND RAKE IT INTO THE SOIL.
6. INSTALL SOIL RETENTION BLANKET (CLASS 1).



**STAPLE CHECK (C)**



**TERMINATION OF CHANNEL (D)**



**DOWNSLOPE END STAPLE CHECK**

TO BE USED WHEN SLOPE RUNS INTO A RECEIVING WATER AND CANNOT BE EXTENDED 3 FEET BEYOND SLOPE.

**Computer File Information**

Creation Date: 07/31/19	(R-X)
Designer Initials: JBK	(R-X)
Last Modification Date: 07/31/19	(R-X)
Detailer Initials: LTA	(R-X)
CAD Ver.: MicroStation V8 Scale: Not to Scale Units: English	(R-X)

**Sheet Revisions**

Date:	Comments

Colorado Department of Transportation  
 2829 West Howard Place  
 CDDT HQ, 3rd Floor  
 Denver, CO 80204  
 Phone: 303-757-9021 FAX: 303-757-9868  
 Project Development Branch JBK

**SOIL RETENTION COVERING**

Issued by the Project Development Branch: July 31, 2019

**STANDARD PLAN NO.**

M-216-1

**Standard Sheet No. 2 of 2**

Project Sheet Number: