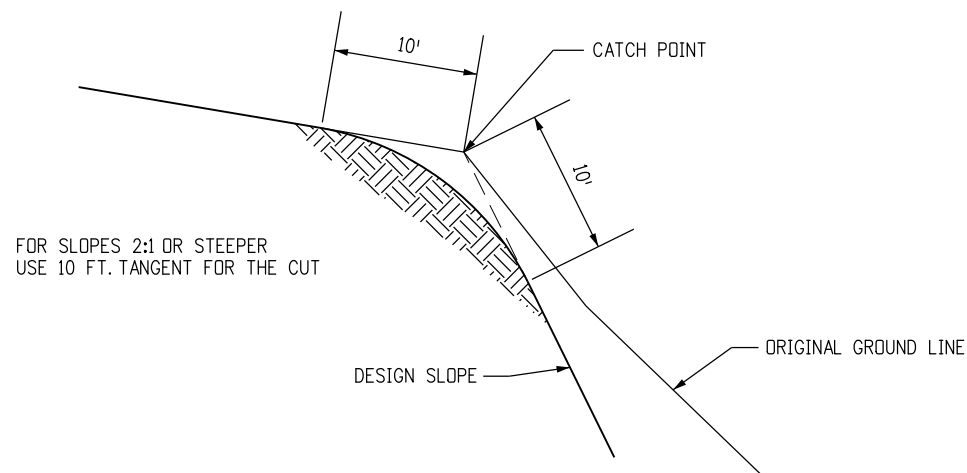
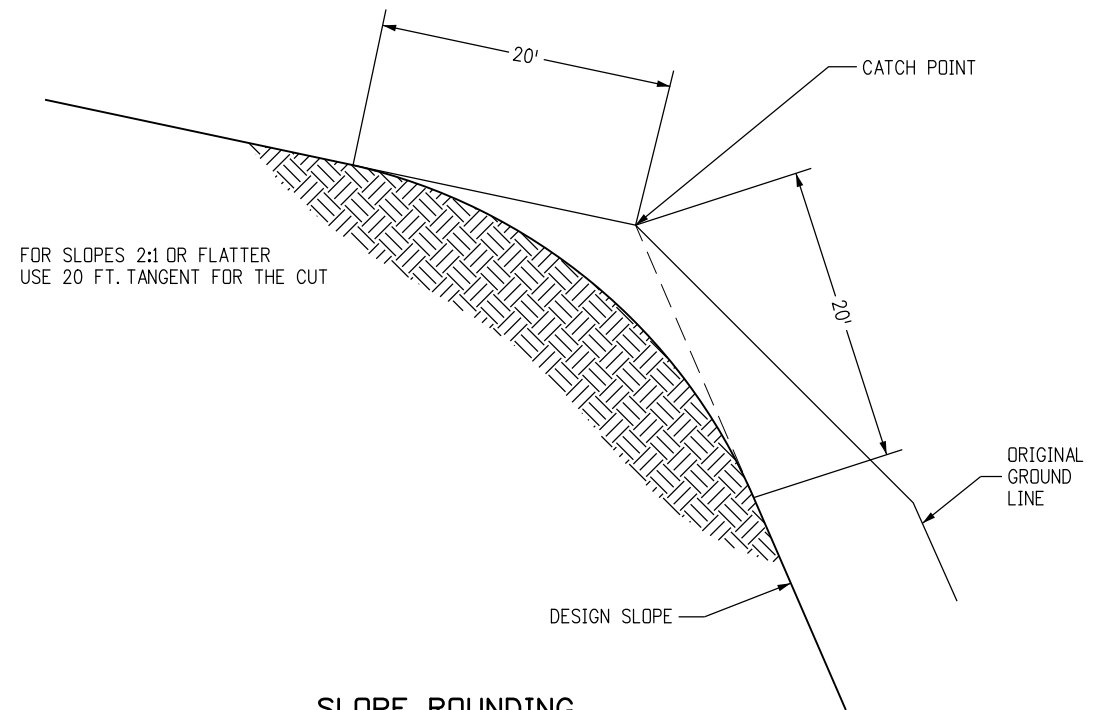


SLOPE ROUNDING DETAIL




**SLOPE ROUNDING
2:1 OR STEEPER**



**SLOPE ROUNDING
2:1 OR FLATTER**

GENERAL NOTES

1. THE CONTRACTOR SHALL NOTIFY THE ENGINEER PRIOR TO BEGINNING THE SLOPE ROUNDING FOR ACCEPTANCE OF THE COMPLETED DESIGN SLOPE WORK.
2. SLOPE ROUNDING SHALL MATCH THE EXISTING TERRAIN.

Computer File Information	Sheet Revisions	Colorado Department of Transportation	As Constructed	SLOPE ROUNDING DETAIL		Project No./Code
Creation Date: 07/31/19	(R-X) mm/dd/yy XXXXXXXX XXXXXX	 Street Address Office location City, CO Zip code Phone: XXX-XXX-XXXX Fax: XXX-XXX-XXXX Region, Unit Intials/Intials	No Revisions: mm/dd/yy	Designer: XXXXXXXX	XXXXXX/XXXX	
Designer Initials: JBK	(R-X) mm/dd/yy XXXXXXXX XXXXXX		Revised: mm/dd/yy	Detailer: XXXXXXXX	D-203-3	
Last Modification Date: 07/31/19	(R-X) mm/dd/yy XXXXXXXX XXXXXX		Void: mm/dd/yy	Sheet Subset: XXXXXXXX	Subset Sheets: XXX of XXX	Sheet Number: 1 of 1
Detailer Initials: LTA	(R-X) mm/dd/yy XXXXXXXX XXXXXX					Project Sheet Number: XX
CAD Ver.: MicroStation V8 Scale: Not to Scale Units: English	(R-X) mm/dd/yy XXXXXXXX XXXXXX					