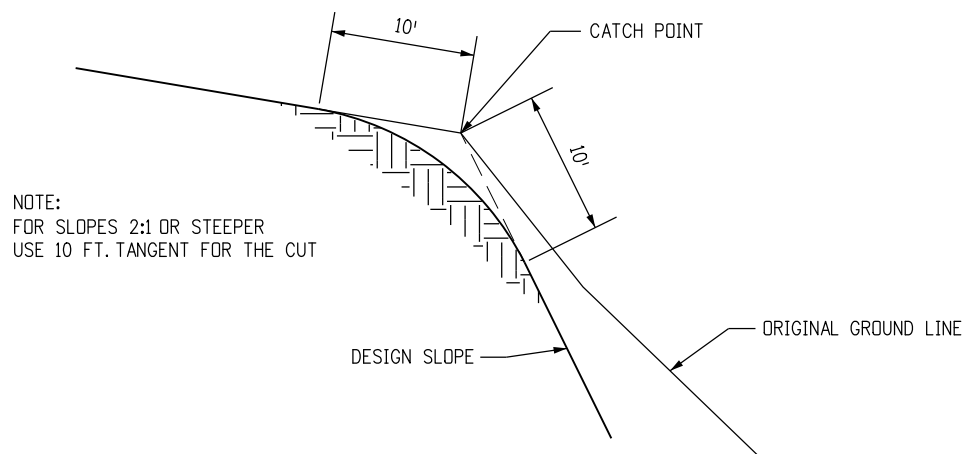
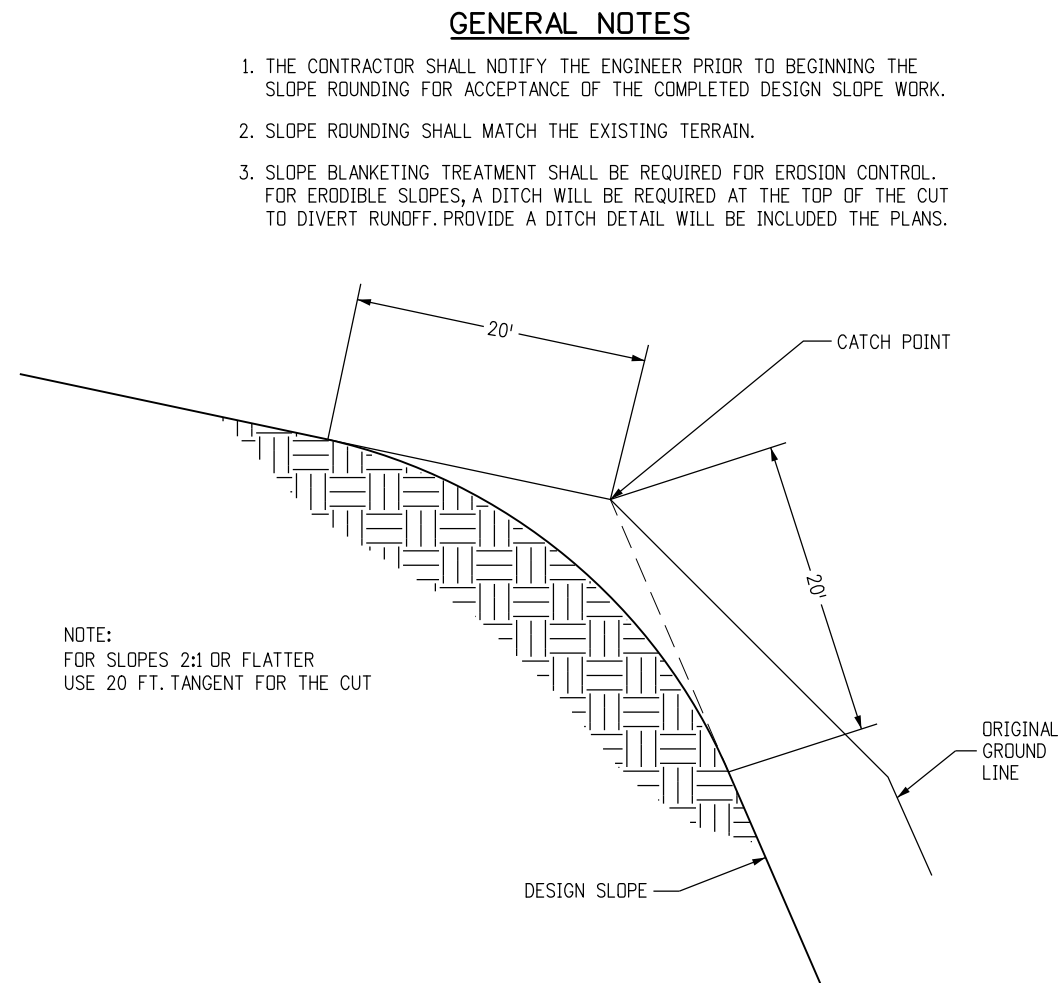


SLOPE ROUNDING DETAIL



SLOPE ROUNDING 2:1 OR STEEPER



SLOPE ROUNDING 2:1 OR FLATTER

GENERAL NOTES

1. THE CONTRACTOR SHALL NOTIFY THE ENGINEER PRIOR TO BEGINNING THE SLOPE ROUNDING FOR ACCEPTANCE OF THE COMPLETED DESIGN SLOPE WORK.
2. SLOPE ROUNDING SHALL MATCH THE EXISTING TERRAIN.
3. SLOPE BLANKETING TREATMENT SHALL BE REQUIRED FOR EROSION CONTROL. FOR ERODIBLE SLOPES, A DITCH WILL BE REQUIRED AT THE TOP OF THE CUT TO DIVERT RUNOFF. PROVIDE A DITCH DETAIL WILL BE INCLUDED THE PLANS.

**SLOPE ROUNDING DETAIL
D-203-3**

APPLICATION: USE THE SLOPE ROUNDING DETAIL WHEN A SLOPE ROUNDING QUANTITY IS INCLUDED IN THE EARTHWORK SUMMARY. SLOPE BLANKETING TREATMENT MAY BE REQUIRED FOR EROSION CONTROL. FOR ERODIBLE SLOPES, A DITCH WILL BE REQUIRED AT THE TOP OF THE CUT TO DIVERT RUNOFF. PROVIDE A DITCH DETAIL IN THE PLANS.

HISTORY: THIS DETAIL ESTABLISHES ROUNDING LIMITS FOR FLAT (2:1 OR FLATTER) AND STEEP (2:1 OR STEEPER) SLOPES. THIS WILL ADDRESS THE PROBLEM OF OVERBURDEN AT THE TOP OF STEEP SLOPES, AND ALSO DEFINE THE BUFFER ZONE PAST THE "CATCH POINT" SO EASEMENTS OR ADDITIONAL RIGHT OF WAY CAN BE OBTAINED. THIS DETAIL PROVIDES MITIGATION FOR NATURALIZING SLOPES.

PLEASE CALL THE STANDARDS ENGINEER AT 303-757-9021 FOR ANY QUESTIONS.
PLEASE DELETE THIS BLOCK BEFORE USING THIS DETAIL ON A PROJECT.

| Computer File Information | | Sheet Revisions | | Colorado Department of Transportation | | As Constructed | | SLOPE ROUNDING DETAIL | | Project No./Code | |
|--|--|-----------------|----------|---------------------------------------|--------|---------------------------------------|--|------------------------|--|---------------------------|--|
| Creation Date: 07/31/19 | | (R-X) | mm/dd/yy | XXXXXXX | XXXXXX | Street Address | | SLOPE ROUNDING DETAIL | | XXXXX/XXXX | |
| Designer Initials: JBK | | (R-X) | mm/dd/yy | XXXXXXX | XXXXXX | Office location | | | | Designer: XXXXXXXX | |
| Last Modification Date: 07/31/19 | | (R-X) | mm/dd/yy | XXXXXXX | XXXXXX | City, CO Zip code | | Detailer: XXXXXXXX | | Sheet Number: 1 of 1 | |
| Detailer Initials: LTA | | (R-X) | mm/dd/yy | XXXXXXX | XXXXXX | Phone: XXX-XXX-XXXX Fax: XXX-XXX-XXXX | | Sheet Subset: XXXXXXXX | | Subset Sheets: XXX of XXX | |
| CAD Ver.: MicroStation V8 Scale: Not to Scale Units: English | | (R-X) | mm/dd/yy | XXXXXXX | XXXXXX | Region, Unit | | Initials/Intials | | Project Sheet Number: XX | |
| | | | | | | | | No Revisions: mm/dd/yy | | | |
| | | | | | | | | Revised: mm/dd/yy | | | |
| | | | | | | | | Void: mm/dd/yy | | | |