

LOCATION MARKER INFORMATION LABELING

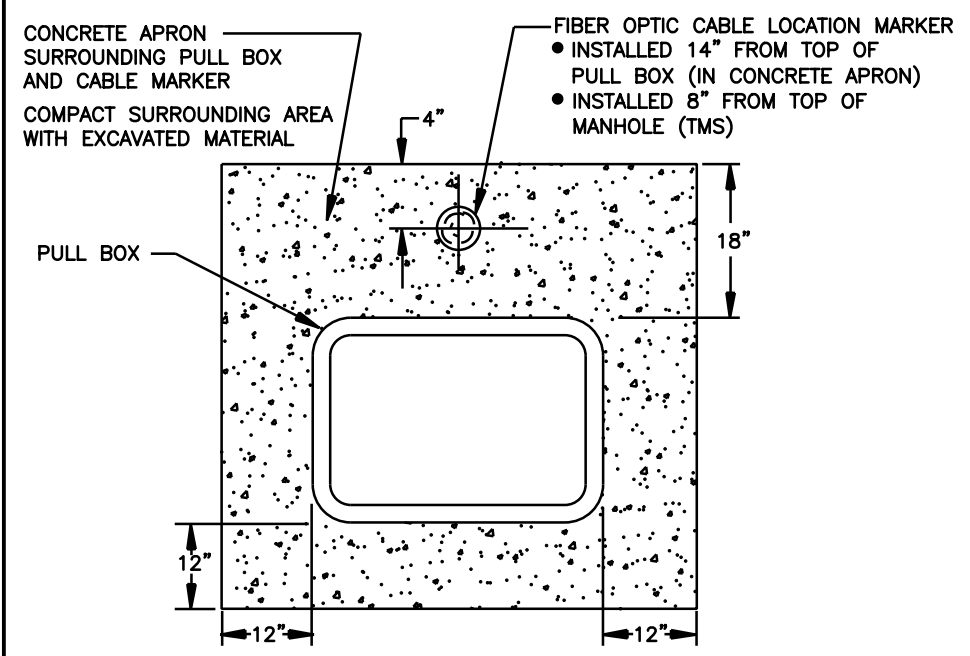
LABEL WITH CDOT CONTACT INFORMATION
BLACK LETTERING ON ORANGE BACKGROUND

- FOR FIBER OPTIC DOME MARKERS
- FOR CDOT UTILITY FLAT MARKERS

MILE POINT REFERENCE LABEL (5 NUMBERS / 1 DECIMAL POINT)
MILE POINT DESIGNATION TO BE TO 100TH OF A MILE
BLACK NUMBERS WITH WHITE BACKGROUND

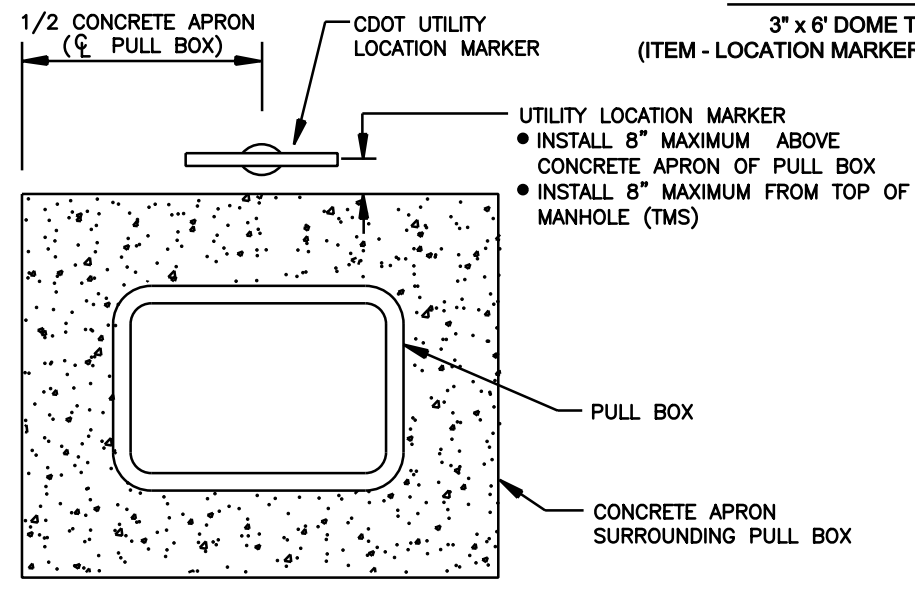
FIBER OPTIC RUNNING LINE LOCATION MARKER

3" x 6" DOME TYPE POST
(ITEM - LOCATION MARKER (FIBER OPTIC)(DOME))



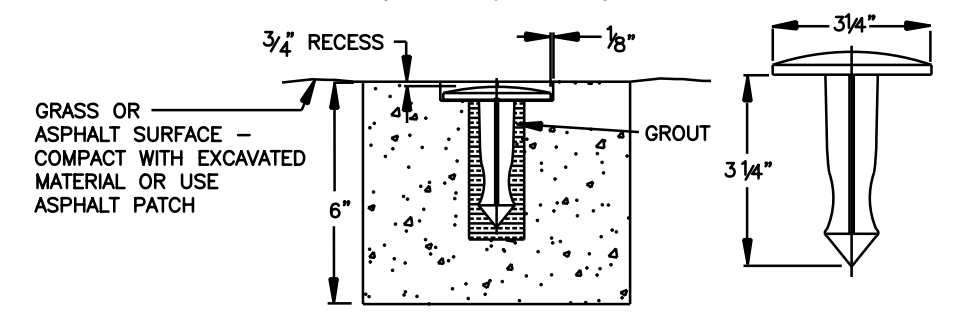
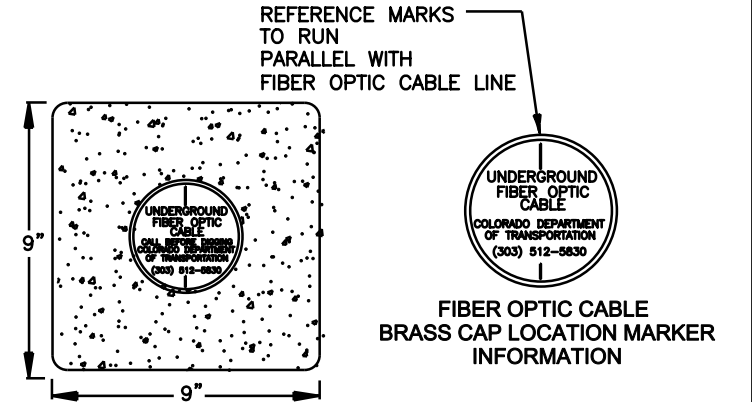
PULL BOX AND MANHOLE FIBER OPTIC LOCATION MARKER

3" x 6" DOME TYPE POST
(ITEM - LOCATION MARKER (FIBER OPTIC)(DOME))



CDOT UTILITY LOCATION MARKER

3 1/2" X 62" FLAT TYPE POST
ELECTRICAL POWER RUNNING LINES AND TELEPHONE RUNNING LINES
ITEM - LOCATION MARKER (UTILITY)(FLAT SLAT)



LANDSCAPE LOCATION MARKER

BRASS CAP SURVEY MONUMENT USED AS FIBER OPTIC CABLE MARKER WITH CONCRETE FOOTING SUPPORT
(ITEM - LOCATION MARKER (FIBER OPTIC)(BRASS CAP))

Print Date: 6/22/2010		Sheet Revisions			Colorado Department of Transportation 425 C Corporate Circle Golden, CO 80401 Phone: 303-512-5801 FAX: 303-512-5878 HQ ITS Branch	As Constructed No Revisions: Revised: Void:	Fiber Optic and Utility Markers Project Standard				Project No./Code	
File Name: Fiber Marker Sheets.dgn		Date:	Comments	Init.							Project Number	
Horiz. Scale: 1:200		Vert. Scale: As Noted						SA				
Unit Information		Unit Leader Initials						Sheet Number				
					AI	2 of 2						