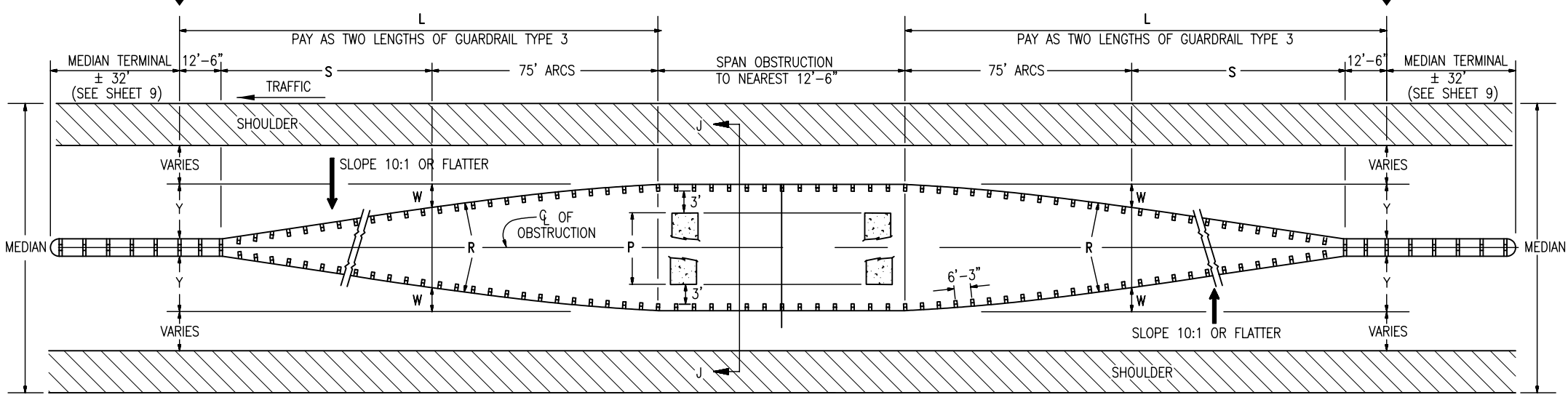
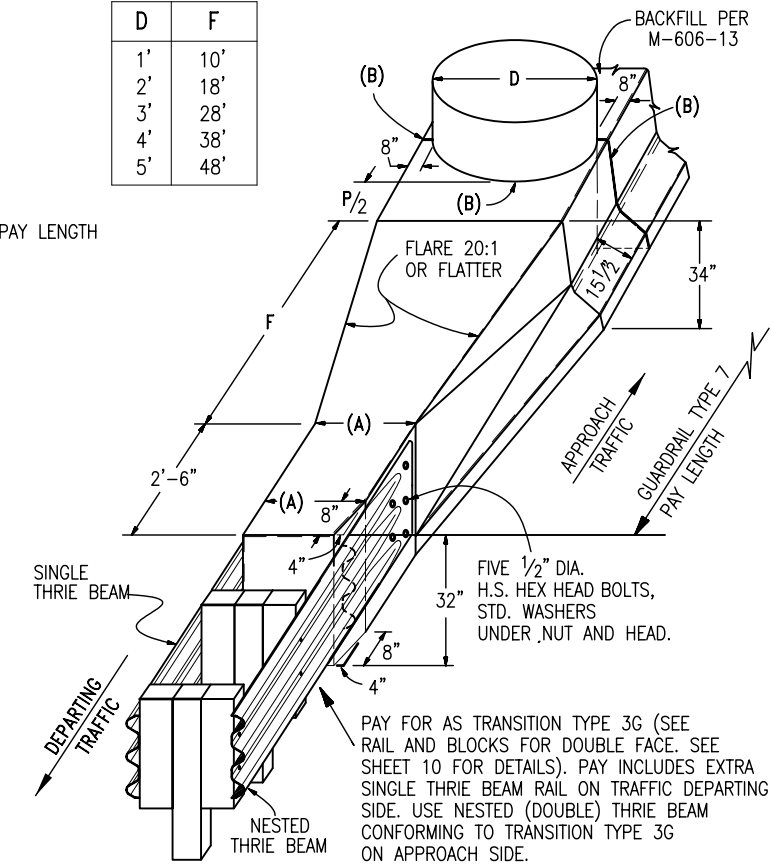


**OBSTRUCTION IN MEDIAN 30 FT. WIDE OR LESS**

D	F
1'	10'
2'	18'
3'	28'
4'	38'
5'	48'



P	1'	2'	3'	4'	5'	6'	7'	8'	9'	10'	11'	12'	13'	14'	15'	16'	17'	18'	19'	20'	21'	22'
Y	4'-1"	4'-7"	5'-1"	5'-7"	6'-1"	6'-7"	7'-1"	7'-7"	8'-1"	8'-7"	9'-1"	9'-7"	10'-1"	10'-7"	11'-1"	11'-7"	12'-1"	12'-7"	13'-1"	13'-7"	14'-1"	14'-7"
W	1'-5"	1'-11"	2'-5"	2'-11"	3'-5"	3'-11"	3'-4"	3'-8"	4'-1"	3'-7"	3'-11"	3'-6"	3'-8"	4'-0"	3'-7"	3'-10"	4'-0"	3'-8"	3'-11"	3'-7"	3'-10"	4'-0"
R	2009'	1480'	1171'	969'	827'	720'	852'	760'	685'	781'	720'	803'	760'	702'	781'	739'	702'	760'	720'	781'	739'	702'
S		25'					37'-6"			50'		62'-6"			75'		87'-6"			100'		
L			112'-6"				125'			137'-6"		150'			162'-6"		175'			187'-6"		

**GUARDRAIL FOR OBSTRUCTION IN MEDIANS WIDER THAN 30 FT.**

NOTE: FOR OBSTRUCTIONS (P) THAT ARE WIDER THAN 22 FT. USE THE DETAILS OF MEDIANS 31 FT. OR WIDER ON SHEET 14.

**OBSTRUCTIONS IN MEDIANS**

**NARROW MEDIAN DETAIL**  
USUALLY LESS THAN 30 FT. WIDE MEDIAN WITH ALL PAVED SURFACE

Computer File Information	
Creation Date: 07/04/06	Initials: SJR
Last Modification Date: 07/04/06	Initials: LTA
Full Path: www.dot.state.co.us/DesignSupport/	
Drawing File Name: 60601011016.dwg	
CAD Ver.: MicroStation V8 Scale: Not to Scale Units: English	

Sheet Revisions	
Date:	Comments:
(R-X)	
(R-X)	
(R-X)	
(R-X)	

Colorado Department of Transportation  
4201 East Arkansas Avenue  
Denver, Colorado 80222  
Phone: (303) 757-9083  
Fax: (303) 757-9820

**Project Development Branch** SRJ/LTA

**GUARDRAIL TYPE 3**  
**W-BEAM**

Issued By: Project Development Branch on July 04, 2006

**STANDARD PLAN NO.**  
**M-606-1**

**Sheet No. 12 of 16**