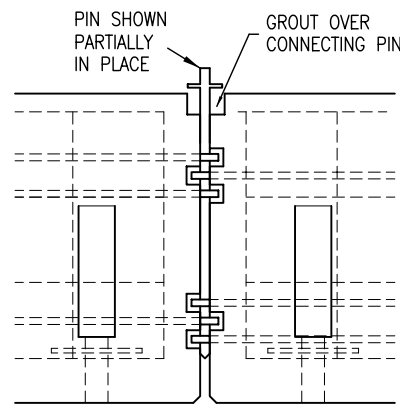
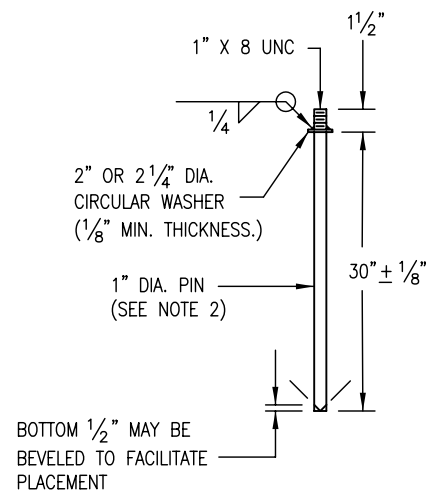


PLAN
FOR DETAILS NOT SHOWN,
SEE SECTION VIEWS A-A, B-B, AND C-C
ON SHEET 1

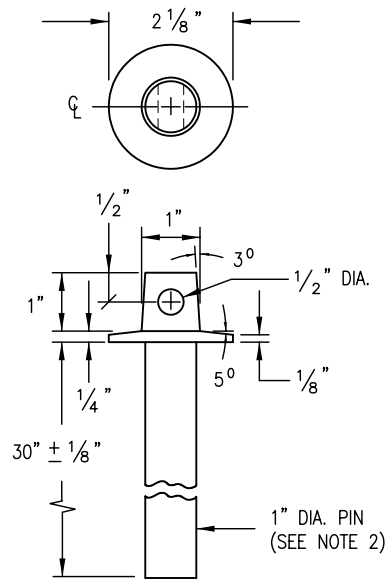


ELEVATION
FOR DETAILS NOT SHOWN,
SEE SECTION VIEWS A-A, B-B, AND C-C
ON SHEET 1

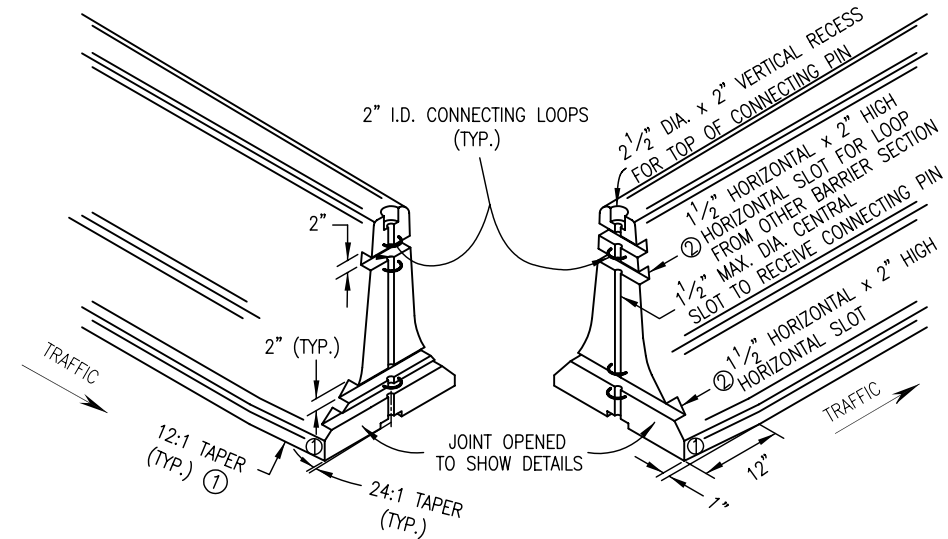
- NOTES**
1. WASHERS SHALL BE FORGED AS AN INTEGRAL PART OF THE PIN, OR SHALL BE WELDED AS SHOWN.
 2. PINS SHALL BE HOT-DIPPED GALVANIZED AFTER FABRICATION.
 3. IF AN ALTERNATIVE TOP CONFIGURATION IS USED FOR LIFTING, THE LIFTING PIN SHALL BE PROVIDED. PINS SHALL CONFORM TO CRITICAL DIMENSIONS (PIN LENGTH DIAMETER).
 4. PINS SHALL CONFORM TO ASTM A449.
 5. APPROVED NON-SHRINK GROUT SHALL BE USED FOR GROUTING OVER ALL PINS, AND GROUTING OF SCUPPERS.
 6. JOINTS BETWEEN CAST-IN-PLACE GUARDRAIL TYPE 7 AND PERMANENT INSTALLATION PRECAST TYPE 7 CONCRETE BARRIER SHALL INCLUDE ALL REGRESSES AND LOOPS IN THE CAST-IN-PLACE END, ALONG WITH THE PIN TO COMPLETE THE TYPICAL PRECAST TYPE 7 CONCRETE BARRIER JOINT.



CONNECTING PIN DETAIL



ALTERNATIVE PIN DETAIL



- JOINT STYLE**
- ① A 1 IN. BY 12 IN. TAPER IS REQUIRED AT THE BOTTOM OF ALL FOUR CORNERS OF THE BARRIER SECTIONS TO ELIMINATE SNAGGING OF SNOW PLOW BLADES. THE TAPER IS OPTIONAL ON PERMANENT INSTALLATIONS.
 - ② THE HORIZONTAL SLOTS SHALL BE 1 1/2 IN. IN DEPTH AT THE CENTER OF THE BARRIER AND MAY DECREASE IN DEPTH AT THE EDGE OF THE BARRIER DUE TO THE (24:1) TAPER.

DETAILS FOR PIN AND LOOP CONNECTION

Computer File Information		Sheet Revisions		Colorado Department of Transportation 4201 East Arkansas Avenue Denver, Colorado 80222 Phone: (303) 757-9083 Fax: (303) 757-9820 Project Development Branch SRJ/LTA	PRECAST TYPE 7 CONCRETE BARRIER Issued By: Project Development Branch on July 04, 2006	STANDARD PLAN NO.
Creation Date: 07/04/06	Initials: SJR	Date:	Comments:			M-606-14
Last Modification Date: 07/04/06	Initials: LTA					Sheet No. 2 of 3
Full Path: www.dot.state.co.us/DesignSupport/						
Drawing File Name: 6060140203.dwg						
CAD Ver.: MicroStation V8	Scale: Not to Scale	Units: English				