

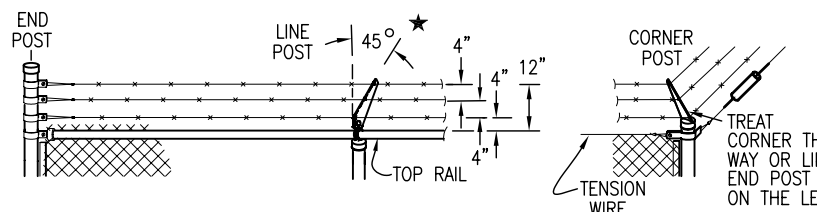
FENCE WITH TOP RAIL (USE ONLY AT SPECIAL LOCATIONS BEYOND CLEAR ZONE WHEN THE TOP RAIL IS SPECIFIED ON PLANS)

LEGEND

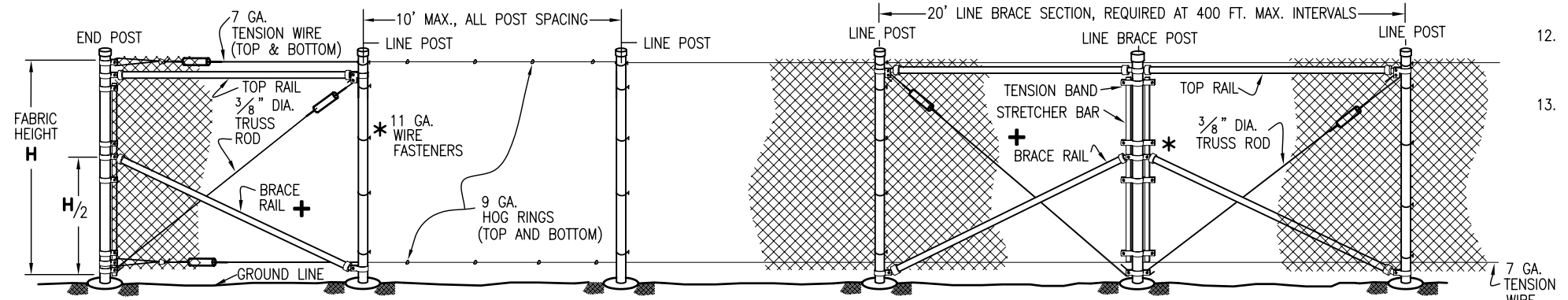
- * ATTACH FABRIC TO ALL FENCE & GATE STRUCTURES AT 12 IN. INTERVALS VERTICALLY AND AT 20 IN. HORIZONTALLY.
- ⚡ TIGHTENER OR TURNBUCKLE SYMBOL (SEE DETAILS ON SHEETS 2 AND 3).
- ▼ TYPE OF LINE POST (ROUND PIPE OR ROLL-FORMED STEEL) SHALL BE AT THE OPTION OF THE CONTRACTOR UNLESS OTHERWISE SHOWN ON THE PLANS.
- + BRACE RAIL IS NOT REQUIRED FOR 36 IN., 42 IN., OR 48 IN. FABRIC HEIGHTS. BRACE RAIL FOR FENCE WITH ROLL-FORMED STEEL ELEMENTS IS 12 IN. BELOW THE TOP RAIL, (SEE SHEET 3).

GENERAL NOTES

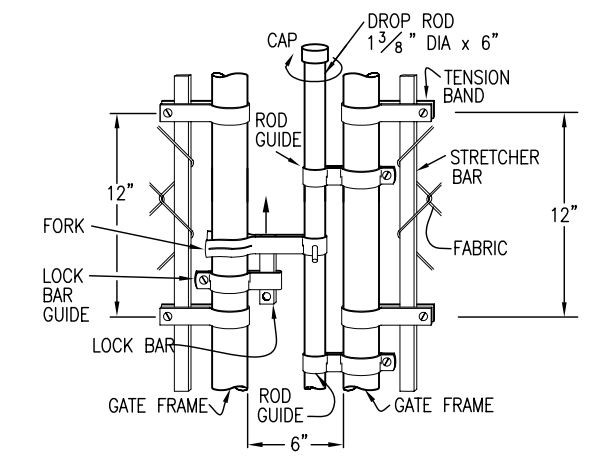
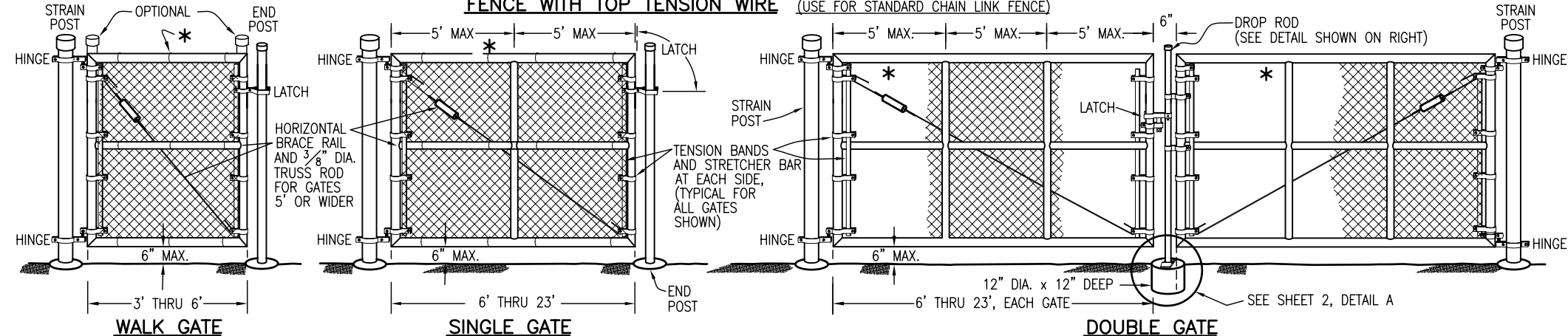
1. AT EACH LOCATION WHERE AN ELECTRIC TRANSMISSION, DISTRIBUTION, OR SECONDARY LINE CROSSES A FENCE, THE CONTRACTOR SHALL FURNISH AND INSTALL A GROUND CONFORMING TO ARTICLE 250 OF THE NATIONAL ELECTRIC CODE. A GROUND SHALL ALSO BE INSTALLED A MAXIMUM OF EVERY 500 FT. ALONG THE FENCE. THE GROUND ROD SHALL BE A MINIMUM DIAMETER OF 1/2 IN. AND 8 FT. IN LENGTH, AND DRIVEN AT LEAST 7 1/2 FT. INTO THE GROUND. THE ROD SHALL BE CONNECTED TO EACH WIRE WITH A MINIMUM AWG NO. 8 STRANDED COPPER WIRE. GROUNDING WILL NOT BE PAID FOR SEPARATELY BUT SHALL BE INCLUDED IN THE COST OF THE FENCE.
2. **H** (HEIGHT OF FABRIC) SHALL BE AS SHOWN ON THE PLANS. FABRIC IS AVAILABLE IN THE FOLLOWING HEIGHTS: 36 IN., 42 IN., 48 IN., 60 IN., 72 IN., 84 IN., 96 IN., 108 IN., 120 IN., AND 144 IN.
3. CHAIN LINK FENCE SHALL CONFORM TO AASHTO M 181.
4. CHAIN LINK FABRIC SHALL BE 2 IN. MESH NO. 9 GAGE GALVANIZED OR ALUMINUM COATED WIRE SECURELY FASTENED TO TENSION WIRE, LINE POSTS, RAILS, BRACES AND STRETCHER BARS SPACED AS SHOWN HEREON. WIRE FASTENERS AND TIE CLIPS SHALL BE NO. 11 GAGE (W&M) GALVANIZED STEEL WIRE OR NO. 7 GAGE (B&S) ALUMINUM WIRE, AND HOG RINGS SHALL BE NO. 9 GAGE, ALL IN CONFORMANCE WITH ASTM F 626.
5. STEEL POSTS, RAILS AND GATE FRAMES SHALL CONFORM TO AASHTO M 181 TYPE 1, GRADE 1 OR GRADE 2.
6. AT THE CONTRACTOR'S OPTION, PIPE USED FOR FENCE CONSTRUCTION SHALL CONFORM TO THE DIMENSIONS AND WEIGHTS FOR EITHER "ORDINARY PIPE" OR "ALTERNATIVE PIPE" AS SHOWN ON SHEET 2. "ALTERNATIVE PIPE" SHALL BE HIGH STRENGTH STEEL PIPE CONFORMING TO FEDERAL SPECIFICATION RR-F-191/3C.
7. TENSION WIRE SHALL BE CONTINUOUS BETWEEN END OR CORNER POST AND LINE BRACE POST. A TURNBUCKLE OR OTHER APPROVED TIGHTENING DEVICE SHALL BE USED FOR EACH CONTINUOUS SPAN OF TENSION WIRE.
8. TENSION WIRE SHALL CONFORM TO AASHTO M 181.
9. CONCRETE FOOTINGS SHALL HAVE TOPS CROWNED AT GROUND LEVEL AND SHALL BE CLASS B. CONCRETE WITH LIGHTWEIGHT AGGREGATE CONFORMING TO AASHTO M 195, MAY BE SUBSTITUTED.
10. TERMINATION OF FENCE AT BRIDGES OR OTHER STRUCTURES SHALL BE AS SHOWN ON THE PLANS.
11. CHAIN LINK FABRIC UP TO 5 FT. HIGH SHALL BE KNUCKLED AT THE TOP AND BOTTOM SELVAGES. FABRIC OVER 5 FT. HIGH SHALL BE TWISTED AND BARBED ON THE TOP SELVAGE AND KNUCKLED ON THE BOTTOM SELVAGE.
12. FENCE MAY BE CONSTRUCTED WITH EITHER ROUND PIPE OR ROLL-FORMED STEEL COMPONENTS. THE CONTRACTOR SHALL STATE AT THE PRECONSTRUCTION CONFERENCE, THE TYPE OF CONSTRUCTION AND TYPE OF LINE POST TO BE USED THROUGHOUT THE PROJECT.
13. THE CONTRACTOR SHALL BE RESPONSIBLE FOR RE-ESTABLISHING DISTURBED OR DESTROYED SURVEY MONUMENTS TO THE APPROPRIATE ACCURACY IN ACCORDANCE WITH SUBSECTION 625.08 OF THE STANDARD SPECIFICATIONS.



BARBED WIRE TOP (USE ONLY WHEN SPECIFIED ON PLANS)




FENCE WITH TOP TENSION WIRE (USE FOR STANDARD CHAIN LINK FENCE)



TYPICAL DROP ROD ASSEMBLY

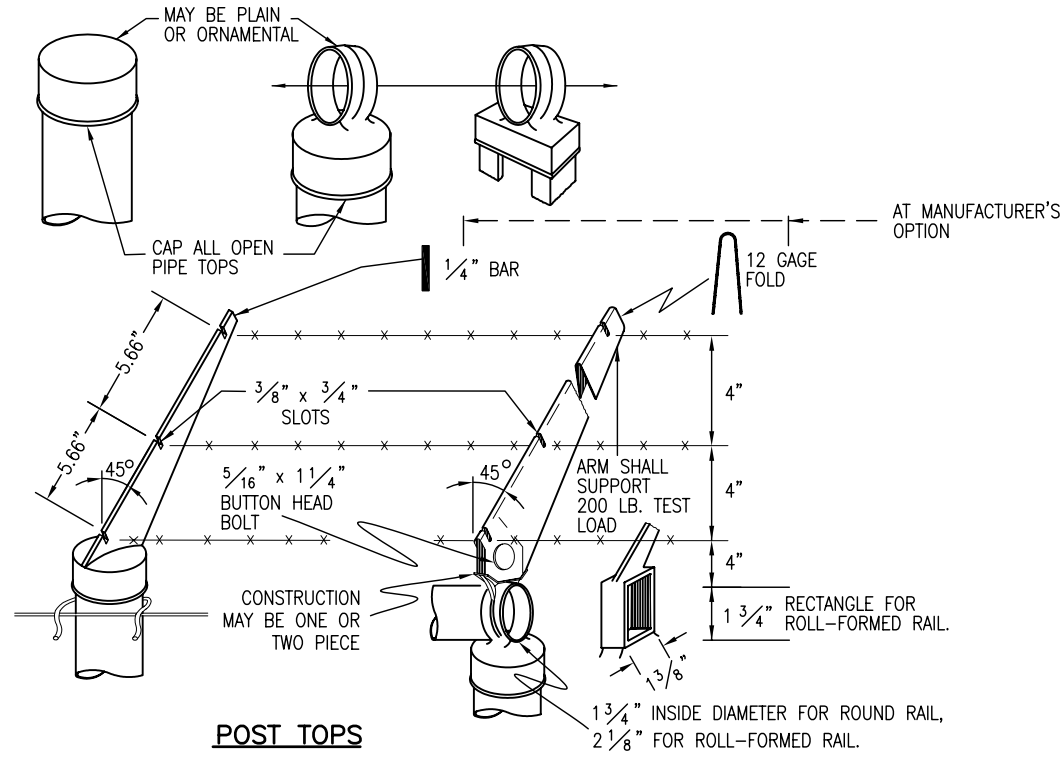
Computer File Information	
Creation Date: 07/04/06	Initials: SJR
Last Modification Date: 07/04/06	Initials: LTA
Full Path: www.dot.state.co.us/DesignSupport/	
Drawing File Name: 607020103.dwg	
CAD Ver.: MicroStation V8 Scale: Not to Scale Units: English	

Sheet Revisions	
Date:	Comments
(R-X)	
(R-X)	
(R-X)	
(R-X)	

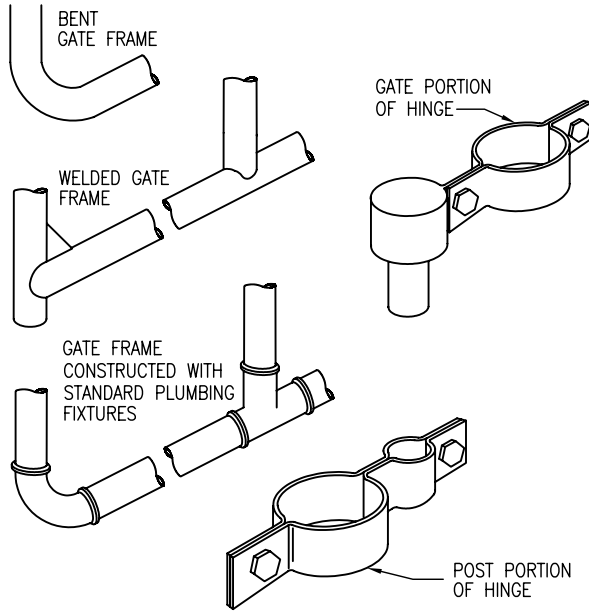
Colorado Department of Transportation

 4201 East Arkansas Avenue
 Denver, Colorado 80222
 Phone: (303) 757-9083
 Fax: (303) 757-9820
 Project Development Branch SRJ/LTA

CHAIN LINK FENCE
 Issued By: Project Development Branch on July 04, 2006

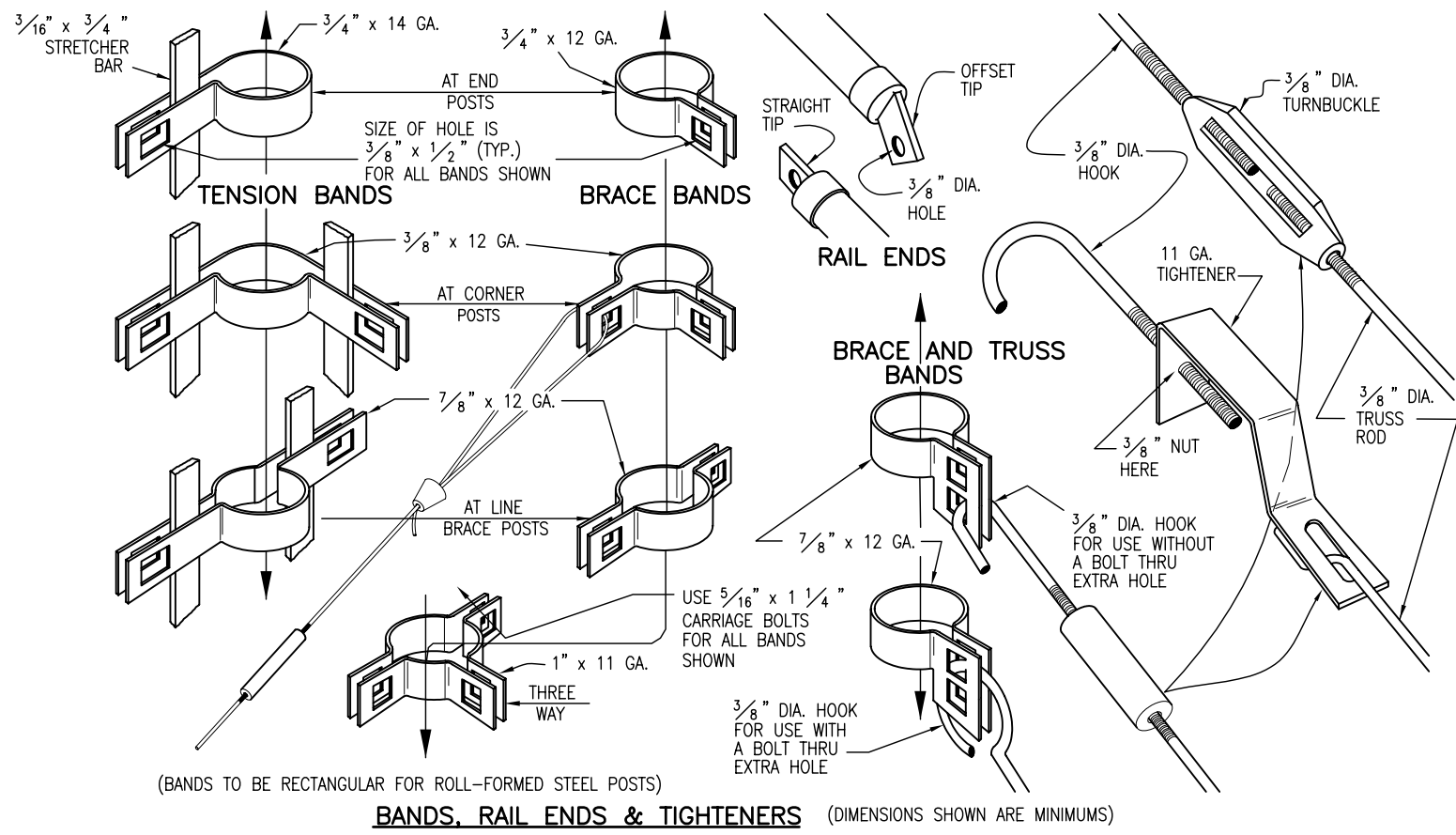
STANDARD PLAN NO.
M-607-2
Sheet No. 1 of 3



POST TOPS



GATE FRAMES & HINGE



BANDS, RAIL ENDS & TIGHTENERS (DIMENSIONS SHOWN ARE MINIMUMS)

FENCE MATERIAL

FABRIC HEIGHT	END, CORNER AND LINE BRACE POSTS		LINE POSTS		TOP & BRACE RAILS	
	ROUND PIPE I.D.	ROLL-FORMED STEEL	ROUND PIPE I.D.	ROLL-FORMED STEEL	ROUND PIPE I.D.	ROLL-FORMED STEEL
FEET	INCHES		INCHES		INCHES	
3 THRU 6	2.5	3.5 x 3.5	1.5	1.875 x 1.625	1.25	1.25 x 1.625
> 6 THRU 8	2.5	3.5 x 3.5	2.0	1.875 x 1.625	1.25	1.25 x 1.625
> 8 THRU 12	2.5	3.5 x 3.5	2.0	2.250 x 1.625	1.25	1.25 x 1.625

FABRIC HEIGHT	△ CONCRETE BASE			
	DEPTH		DIA.	
FEET	INCHES		INCHES	
3 THRU 4	34	12	28	12
> 4 THRU 12	40	12	40	12

△ ALL POSTS 3 IN CLEAR FROM BOTTOM OF CONCRETE BASE

ORDINARY PIPE

NOMINAL I.D.	O.D.	WALL THICK.	WEIGHT
INCHES			LB/FT
1.25	1.660	0.140	2.27
1.50	1.900	0.145	2.72
2.00	2.375	0.154	3.65
2.50	2.875	0.203	5.79
3.00	3.500	0.216	7.58
3.50	4.000	0.226	9.11
4.00	4.500	0.237	10.79
5.00	5.563	0.258	14.62
6.00	6.625	0.280	18.97
8.00	8.625	0.322	28.55

GATE MATERIAL

GATE FRAME WIDTH	STRAIN POST		△CONCRETE BASE	
	ROUND I.D.	ROLL-FORMED	DEPTH	DIA.
FEET	INCHES		INCHES	
3 THRU 6	2.5	3.5 x 3.5	36	12
> 6 THRU 13	3.5	_____	42	12
> 13 THRU 18	6.0	_____	48	18
> 18 THRU 23	8.0	_____	48	24

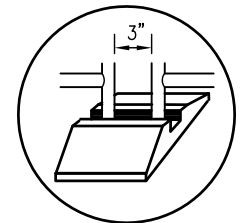
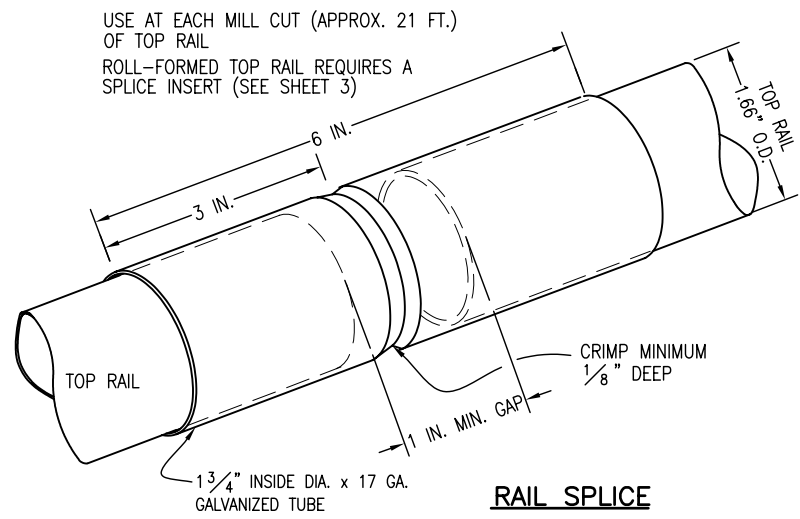
GATE FRAME		FRAME PIPE	BRACING PIPE
WIDTH	HEIGHT	I.D.	I.D.
FEET		INCHES	
3 THRU 8	3 THRU 6	1.25	1.25
> 8 THRU 23	6	1.50	1.25
> 8 THRU 23	> 6 THRU 12	1.50	1.50

ALTERNATIVE PIPE

NOMINAL I.D.	O.D.	WALL THICK.	WEIGHT
INCHES			LB/FT
1.25	1.660	0.111	1.836
1.50	1.900	0.120	2.281
2.00	2.375	0.130	3.117
2.50	2.875	0.160	4.640

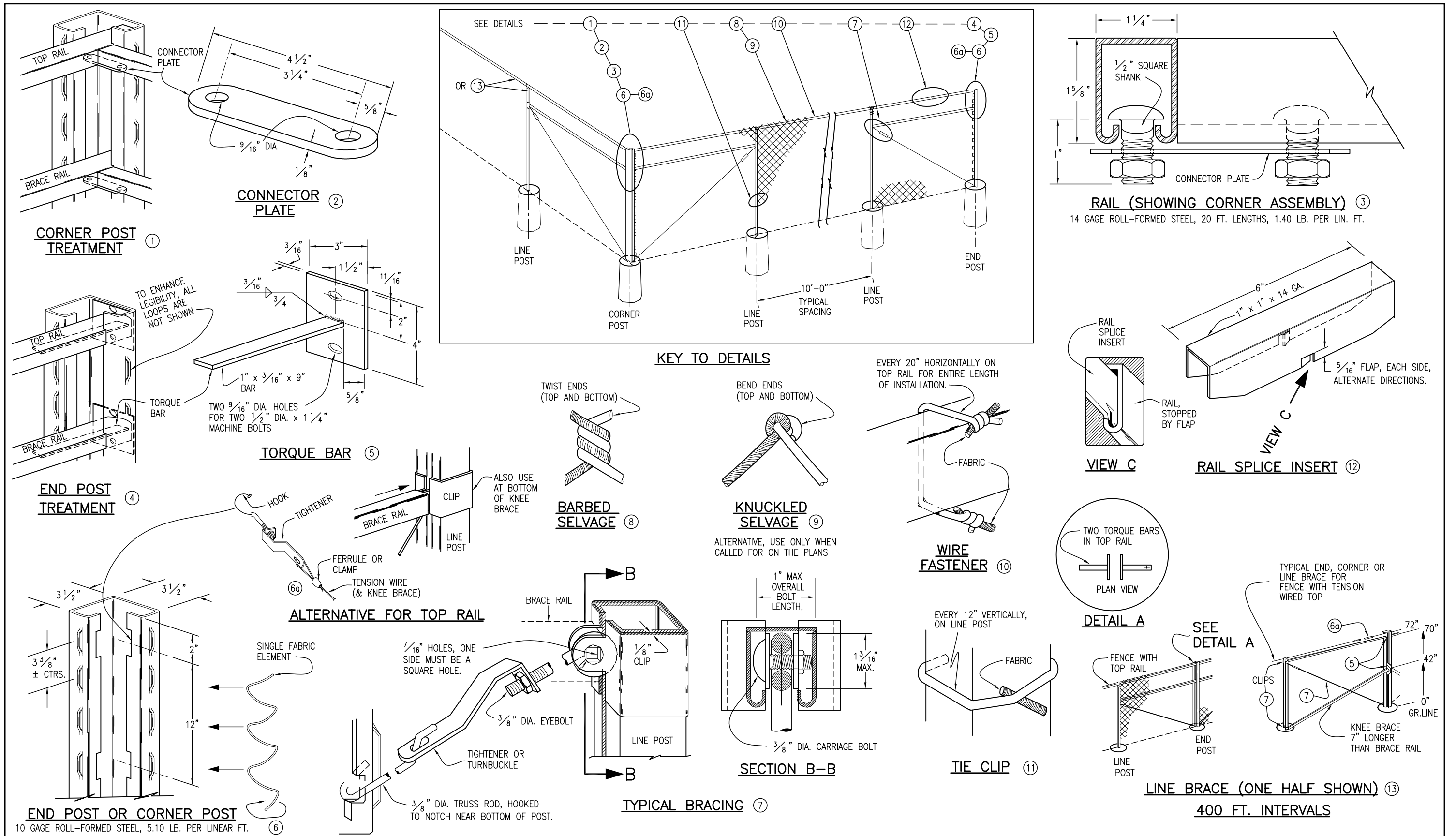
ROLL-FORMED STEEL

PART	SIZE	THICK.	WEIGHT
	INCHES	GAGE	LB/FT
TOP & BRACE RAILS	1.250 x 1.625	14	2.08
LINE POST (H: 3ft - 6ft)	1.875 x 1.625	12	2.75
LINE POST (H: > 6ft - 8ft)	1.875 x 1.625	11	3.36
LINE POST (H: > 8ft - 12ft)	2.250 x 1.625	11	4.02
END, CORNER & LINE BRACE POSTS	3.50 x 3.50	10	7.59



DETAIL A
TYPICAL CENTER REST

<p>Computer File Information</p> <p>Creation Date: 07/04/06 Initials: SJR</p> <p>Last Modification Date: 07/04/06 Initials: LTA</p> <p>Full Path: www.dot.state.co.us/DesignSupport/</p> <p>Drawing File Name: 607020203.dwg</p> <p>CAD Ver.: MicroStation V8 Scale: Not to Scale Units: English</p>	<p>Sheet Revisions</p> <table border="1" style="width: 100%; border-collapse: collapse;"> <thead> <tr> <th>Date:</th> <th>Comments</th> </tr> </thead> <tbody> <tr><td>(R-X)</td><td></td></tr> <tr><td>(R-X)</td><td></td></tr> <tr><td>(R-X)</td><td></td></tr> <tr><td>(R-X)</td><td></td></tr> </tbody> </table>	Date:	Comments	(R-X)		(R-X)		(R-X)		(R-X)		<p style="text-align: center;">Colorado Department of Transportation</p> <p style="text-align: center;">4201 East Arkansas Avenue Denver, Colorado 80222 Phone: (303) 757-9083 Fax: (303) 757-9820</p> <p style="text-align: center;">Project Development Branch SRJ/LTA</p>	<p style="font-size: 2em; font-weight: bold;">CHAIN LINK FENCE</p> <p>Issued By: Project Development Branch on July 04, 2006</p>	<p style="font-weight: bold;">STANDARD PLAN NO.</p> <p style="font-size: 1.5em; font-weight: bold;">M-607-2</p> <p style="font-weight: bold;">Sheet No. 2 of 3</p>
Date:	Comments													
(R-X)														
(R-X)														
(R-X)														
(R-X)														



Computer File Information	
Creation Date: 07/04/06	Initials: SJR
Last Modification Date: 07/04/06	Initials: LTA
Full Path: www.dot.state.co.us/DesignSupport/	
Drawing File Name: 607020303.dwg	
CAD Ver.: MicroStation V8 Scale: Not to Scale Units: English	

Sheet Revisions	
Date:	Comments
(R-X)	
(R-X)	
(R-X)	
(R-X)	

Colorado Department of Transportation
 4201 East Arkansas Avenue
 Denver, Colorado 80222
 Phone: (303) 757-9083
 Fax: (303) 757-9820
 Project Development Branch SRJ/LTA

CHAIN LINK FENCE
 Issued By: Project Development Branch on July 04, 2006

STANDARD PLAN NO.
M-607-2
 Sheet No. 3 of 3