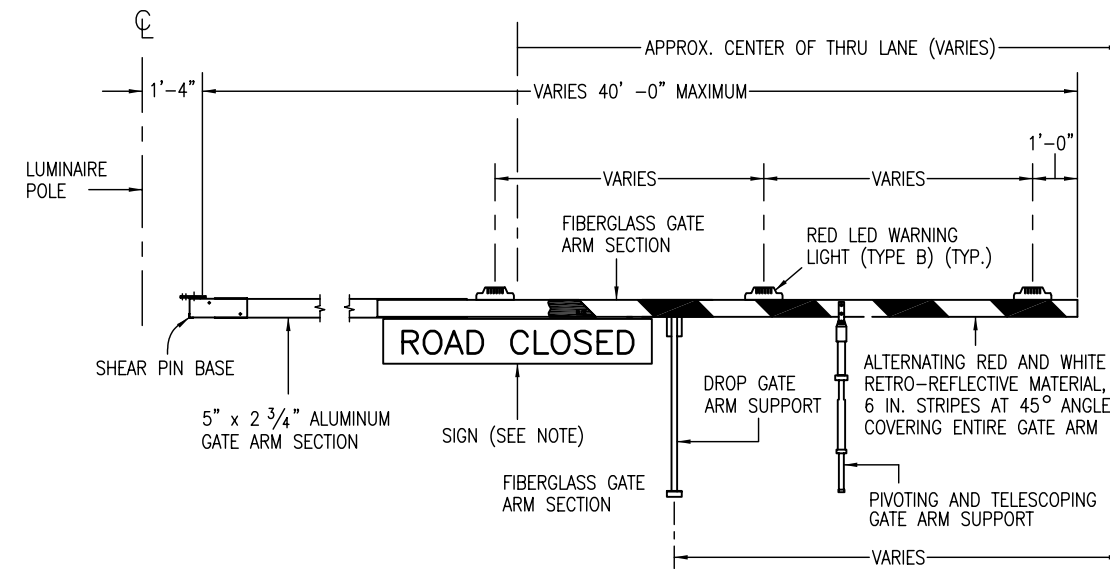
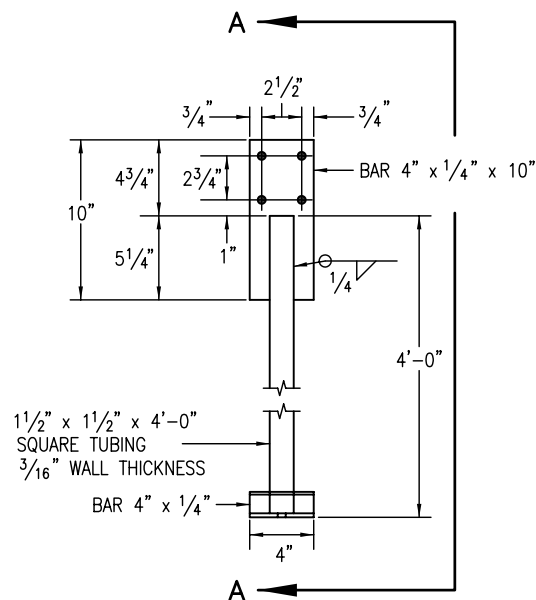


**PIVOT ASSEMBLY**

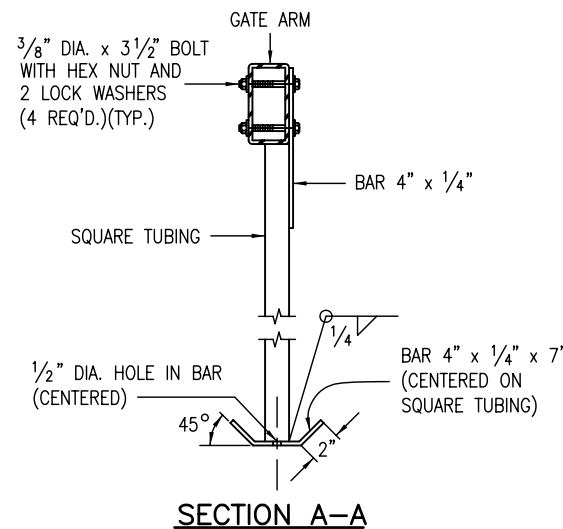


**DROP GATE DETAIL**

NOTE: PLACE THE "ROAD CLOSED" SIGN ON CENTER OF THE THROUGH LANE. THE SIGN IS BLACK AND WHITE.



**DROP GATE ARM SUPPORT DETAIL**  
GATE ARM AND BOLTS NOT SHOWN.



**SECTION A-A**

Computer File Information	
Creation Date: 07/04/06	Initials: SJR
Last Modification Date: 07/04/06	Initials: LTA
Full Path: www.dot.state.co.us/DesignSupport/	
Drawing File Name: 6070150409.dwg	
CAD Ver.: MicroStation V8 Scale: Not to Scale Units: English	

Sheet Revisions	
Date:	Comments
(R-X)	
(R-X)	
(R-X)	
(R-X)	

Colorado Department of Transportation  
 4201 East Arkansas Avenue  
 Denver, Colorado 80222  
 Phone: (303) 757-9083  
 Fax: (303) 757-9820  
 Project Development Branch SRJ/LTA

**ROAD CLOSURE GATE**  
 Issued By: Project Development Branch on July 04, 2006

STANDARD PLAN NO.  
**M-607-15**  
 Sheet No. 4 of 9