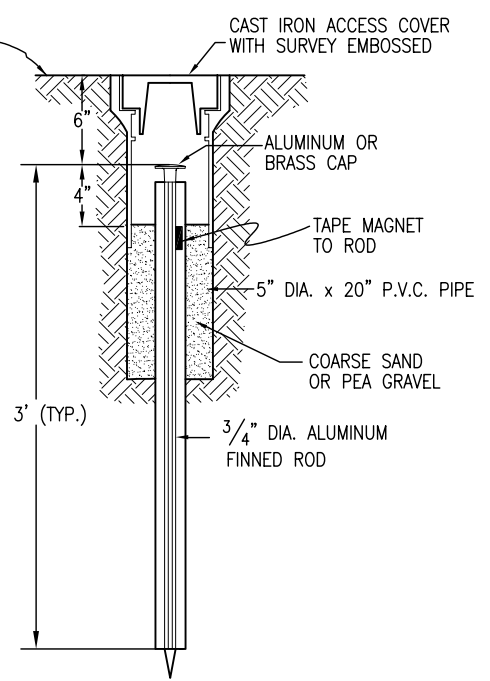
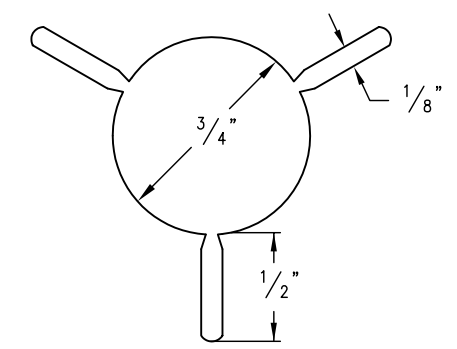


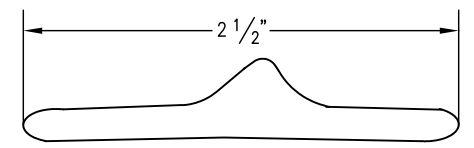
TYPE 1 MONUMENT



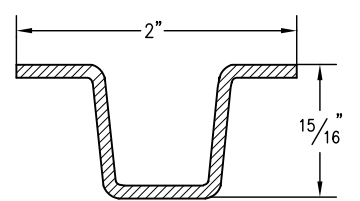
TYPE 1A MONUMENT
INCLUDES MONUMENT BOX



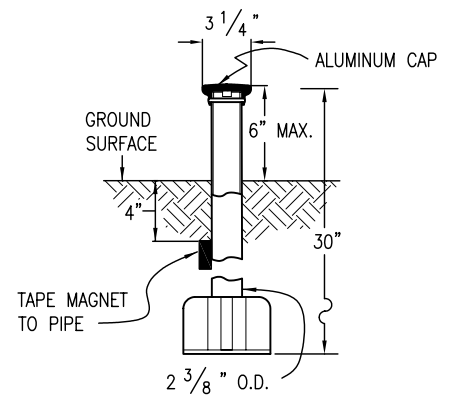
SECTION A-A



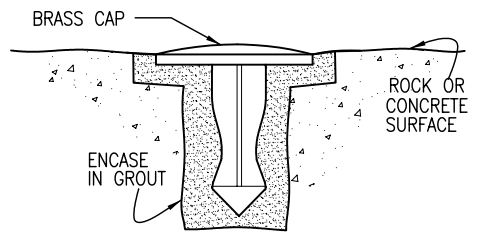
SECTION B-B



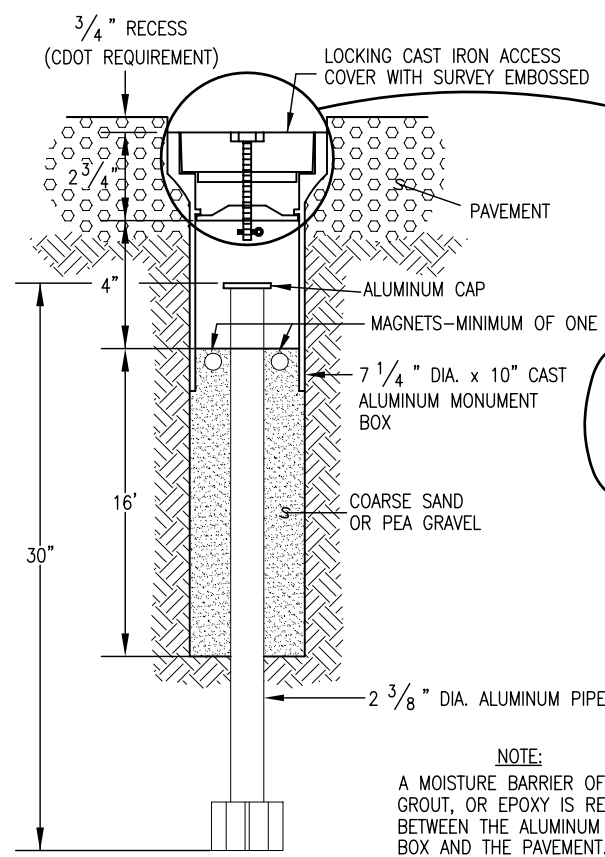
DELINEATOR POST SECTION C-C



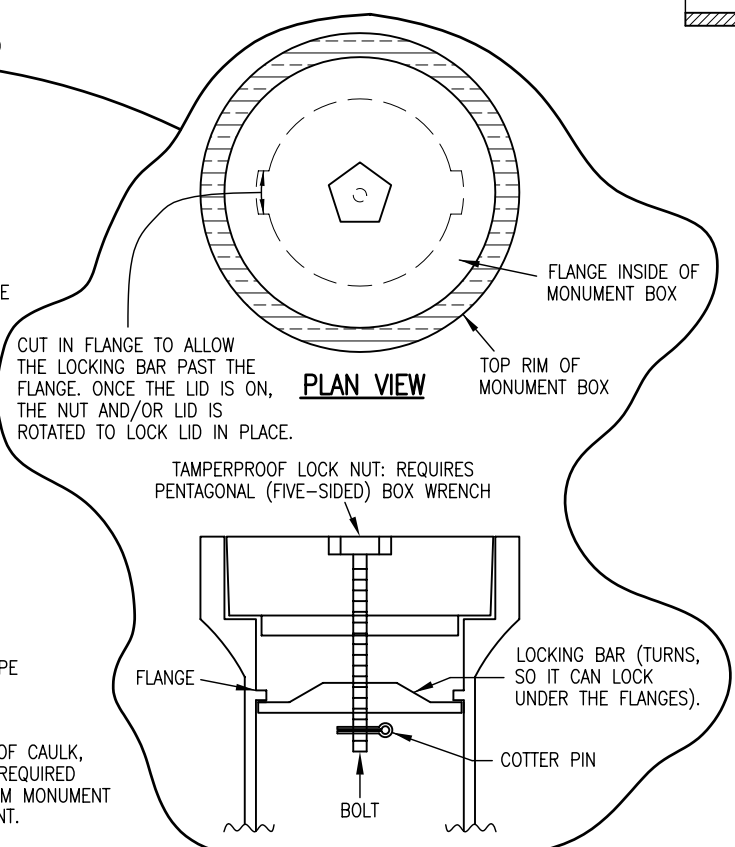
TYPE 3 MONUMENT



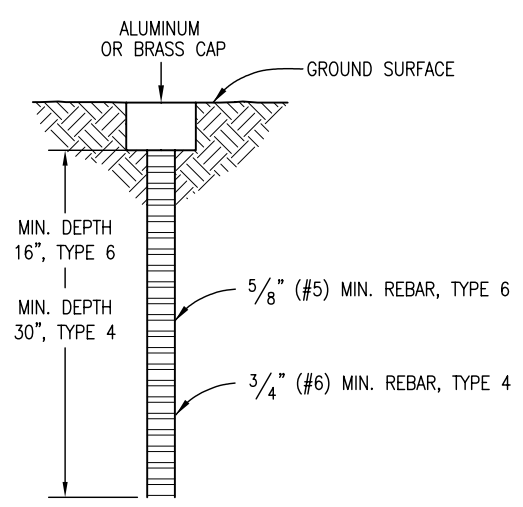
TYPE 5 MONUMENT
ALUMINUM CAP AND TYPE 5(S) DETAILS SHOWN ON SHEET 2



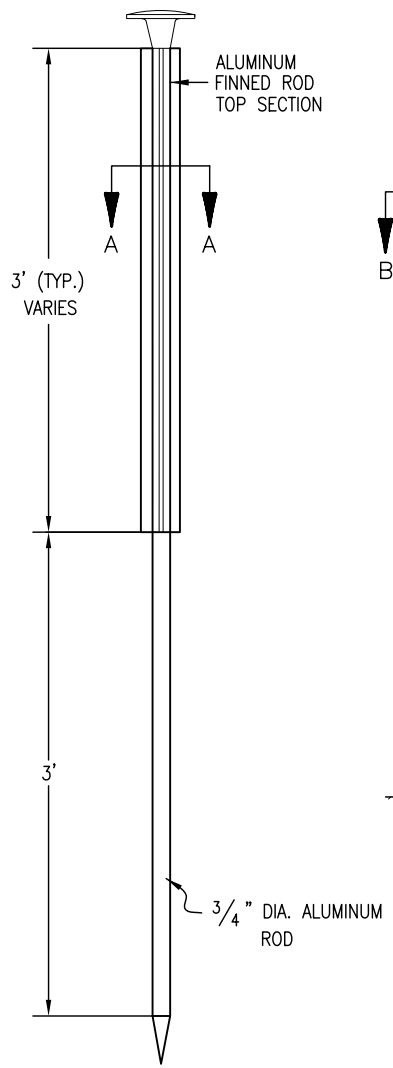
TYPE 3A MONUMENT
ROADWAY INSTALLATION INCLUDES MONUMENT BOX



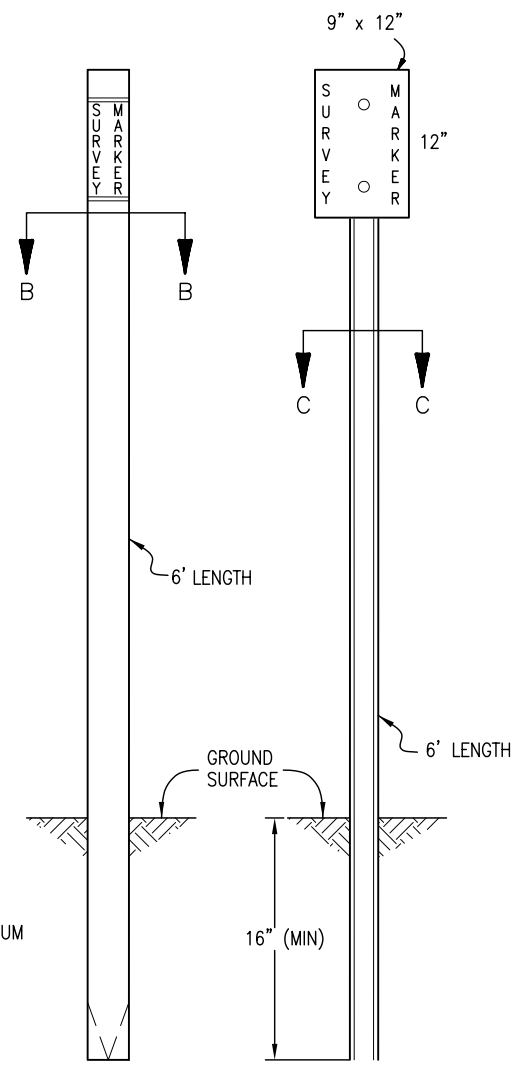
LOCKING CAST IRON ACCESS COVER



TYPE 4 AND TYPE 6 MONUMENT



TYPE 2 MONUMENT
TYPE 2A INCLUDES MONUMENT BOX



WITNESS POSTS

Computer File Information

Creation Date: 07/04/06	Initials: SJR
Last Modification Date: 07/04/06	Initials: LTA
Full Path: www.dot.state.co.us/DesignSupport/	
Drawing File Name: 629010102.dwg	
CAD Ver.: MicroStation V8	Scale: Not to Scale Units: English

Sheet Revisions

Date:	Comments
(R-X)	
(R-X)	
(R-X)	
(R-X)	

Colorado Department of Transportation

4201 East Arkansas Avenue
Denver, Colorado 80222
Phone: (303) 757-9083
Fax: (303) 757-9820

Project Development Branch SRJ/LTA

SURVEY MONUMENTS

Issued By: Project Development Branch on July 04, 2006

STANDARD PLAN NO.

M-629-1

Sheet No. 1 of 2