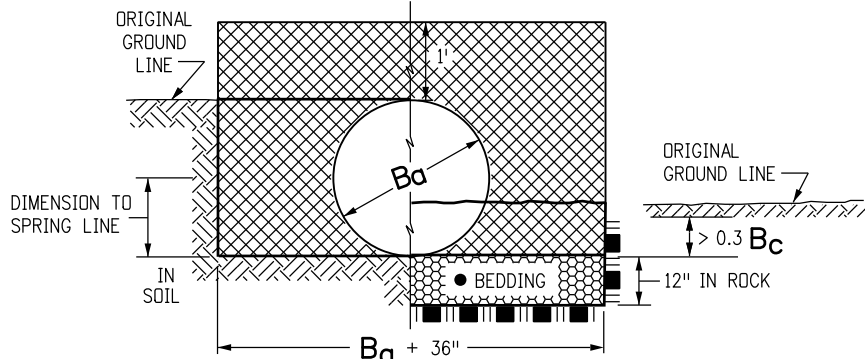


PIPE IN TRENCH

ALL EXCAVATION AND BACKFILL, INCLUDING BEDDING MATERIAL BELOW THIS LINE SHALL BE INCLUDED IN THE BID PRICE FOR THE PIPE. ABOVE THE LINE, THEY SHALL BE PAID FOR AS STRUCTURE EXCAVATION AND EMBANKMENT.

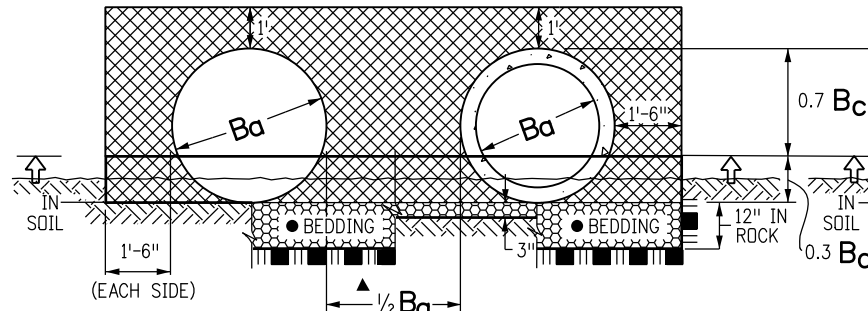
• THE BEDDING MATERIAL FOR RIGID PIPE IN SOIL SHALL BE 3 IN. OF LOOSE STRUCTURE BACKFILL (CLASS 1 OR 2). BEDDING IS NOT REQUIRED FOR FLEXIBLE PIPE IN SOIL. BEDDING MATERIAL FOR RIGID OR FLEXIBLE PIPE IN ROCK SHALL BE 12 IN. OF LOOSE STRUCTURE BACKFILL, CLASS 1.



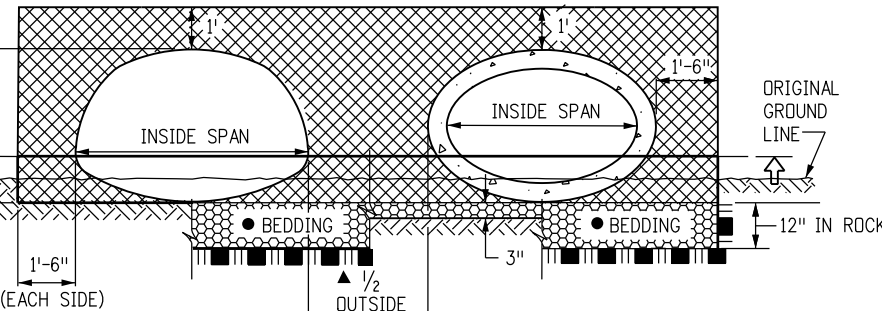
CIRCULAR PIPE

(WHERE ORIGINAL GROUND LINE IS BETWEEN 0.3 B_c AND B_c + 1 FT. ABOVE FLOWLINE)

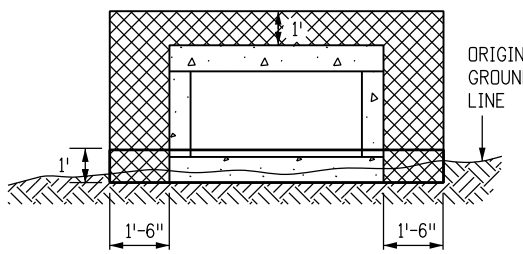
▲ WHEN TWO OR MORE CONDUITS ARE LAID SIDE-BY-SIDE, THEY SHALL BE PLACED SO THAT THEY ARE 1/2 OUTSIDE DIAMETER, OR 1/2 OUTSIDE SPAN, OR 3 FT. APART, WHICHEVER IS LESS. HOWEVER, IF END SECTIONS ARE USED, THE MINIMUM SPACING SHALL BE 1 FT. BETWEEN END SECTIONS.



CIRCULAR PIPE IN FILL

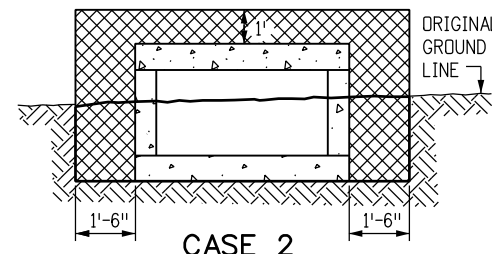


ARCH OR ELLIPTICAL PIPE IN FILL



CASE 1

APPLIES WHEN THE ORIGINAL GROUND LINE IS LESS THEN 1 FT. ABOVE THE BOTTOM OF THE BOX CULVERT. THE EMBANKMENT SHALL BE BUILT UP TO 1 FT. ABOVE THE BOTTOM OF THE BOX CULVERT AND THEN EXCAVATED TO THE BOTTOM OF THE BOX CULVERT. THIS EMBANKMENT AND EXCAVATION WILL NOT BE MEASURED AND PAID FOR SEPARATELY BUT SHALL BE INCLUDED IN THE COST OF THE WORK.

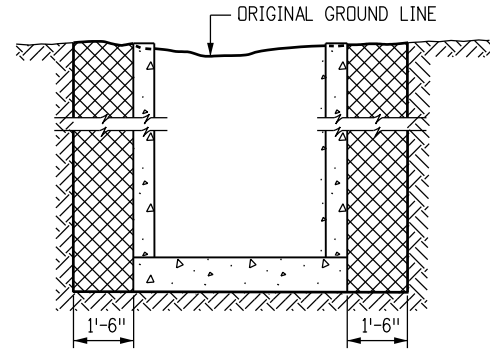


CASE 2

APPLIES WHEN THE ORIGINAL GROUND LINE IS MORE THAN 1 FT. ABOVE THE BOTTOM OF THE BOX CULVERT.

CONCRETE BOX CULVERT

IN BOTH CASES, THE TRENCH (OUTLINED BY THE THICK SOLID LINE) SHALL THEN BE EXCAVATED TO ACCOMMODATE CONSTRUCTION OF THE BOX CULVERT.



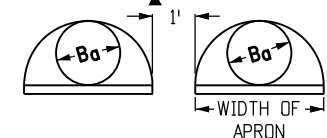
DROP INLETS AND DIVISION BOXES

GENERAL NOTES

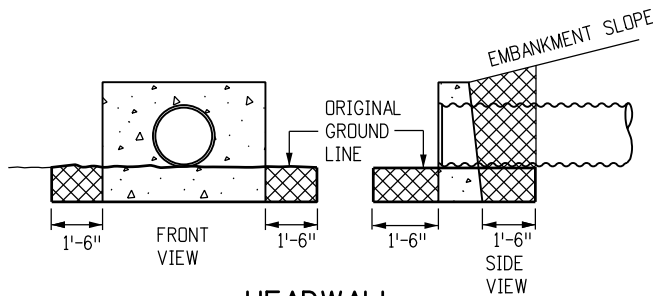
- EXCAVATION AND BACKFILL PATTERNS DIFFERENT FROM THOSE INDICATED ON THESE SHEETS WILL BE SHOWN ELSEWHERE ON THE PLANS.
- EXCAVATION FOR CHANNEL CHANGE OR CHANNEL IMPROVEMENT WILL BE EITHER UNCLASSIFIED EXCAVATION OR MUCK EXCAVATION AND WILL BE NOTED ON THE PLANS. EXCAVATION FROM THE CHANNEL FLOWLINE TO THE DEPTH REQUIRED FOR THE NEW STRUCTURE AND INCIDENTAL CHANNEL EXCAVATION WILL BE PAID FOR AS STRUCTURE EXCAVATION.
- STRUCTURE FOOTINGS WHICH ARE LOCATED IN ROCK SHALL BE POURED OUT TO UNDISTURBED ROCK WITHOUT FORMING IN CONFORMANCE WITH SUBSECTION 601.09(b).
- STRUCTURAL PLATE CULVERTS SHALL BE CONSTRUCTED AS SHOWN ON THE PLANS.
- B_o EQUALS THE INSIDE DIAMETER OF A PIPE AND B_c EQUALS THE OUTSIDE DIAMETER OF A PIPE. FOR THIN WALLED PIPES, IT IS ASSUMED THAT B_o = B_c.
- APPROXIMATE STRUCTURE EXCAVATION AND BACKFILL QUANTITIES, UP TO 1 FT. OVER THE PIPE WILL BE SHOWN ON THE PLANS, FOR INFORMATION ONLY.

LEGEND

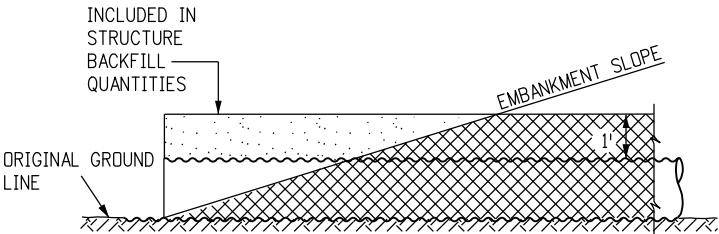
- STRUCTURE EXCAVATION LIMITS
- STRUCTURE BACKFILL, CLASS 1 OR 2, AS SHOWN ON PLANS
- STRUCTURE BACKFILL, CLASS 1
- EMBANKMENT MATERIAL
- EARTH
- ROCK
- BEDDING
- CONCRETE
- WHEN FLOW LINE OF CULVERT IS LESS THAN 0.3 B_c BELOW THE ORIGINAL GROUND LINE, EMBANKMENT SHALL BE BUILT UP TO 0.3 B_c ABOVE THE FLOW LINE AND TRENCH EXCAVATED TO THE BOTTOM OF PIPE OR AS SHOWN.



CONDUIT WITH END SECTIONS

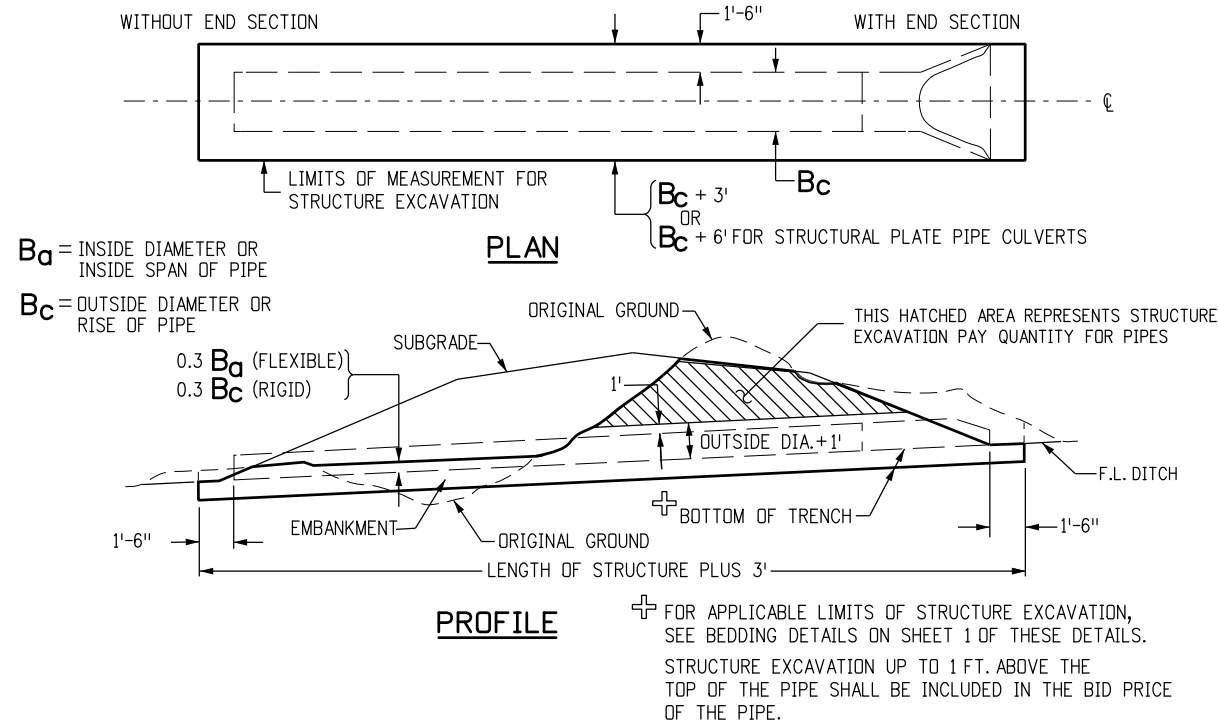


HEADWALL

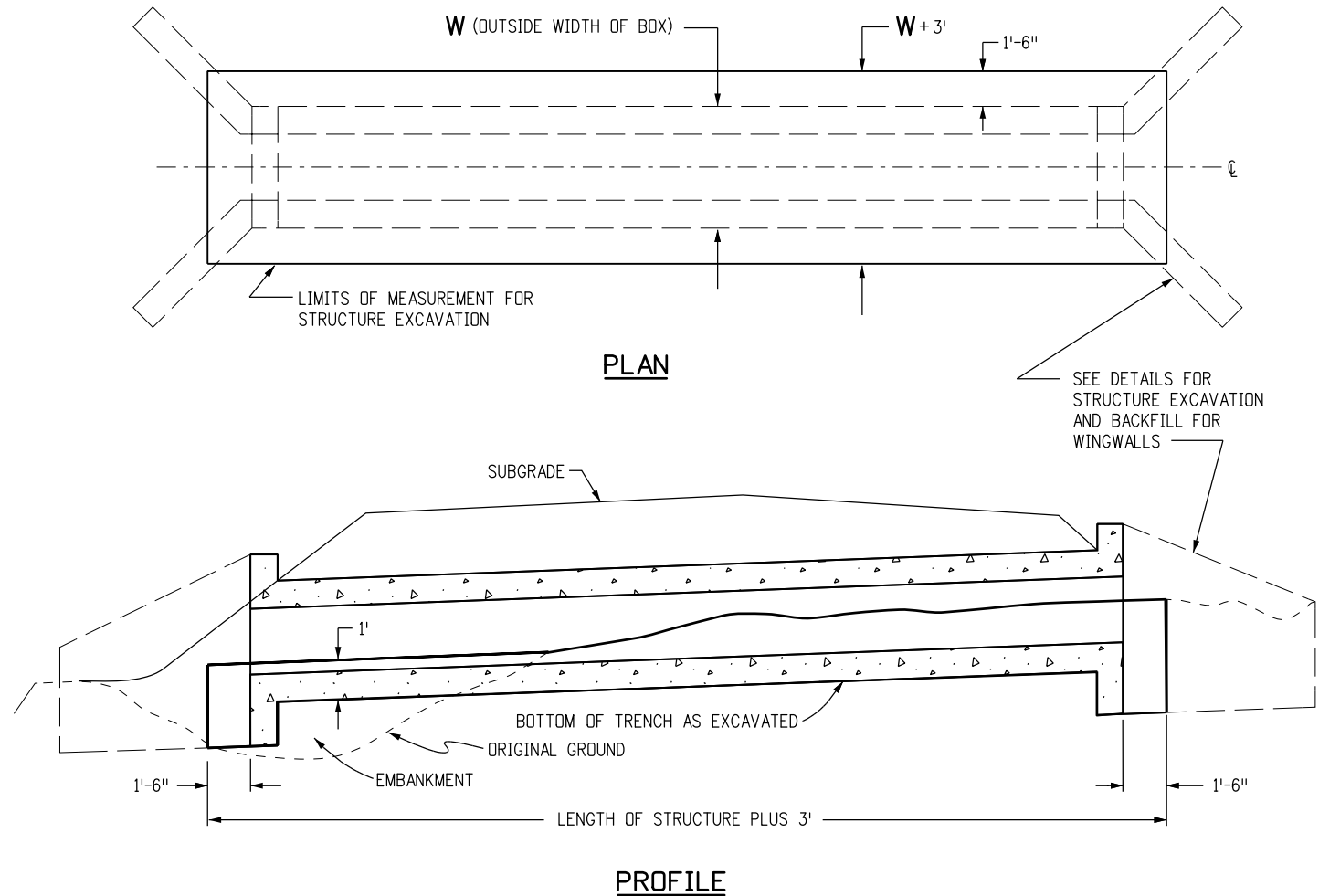


END OF PIPE

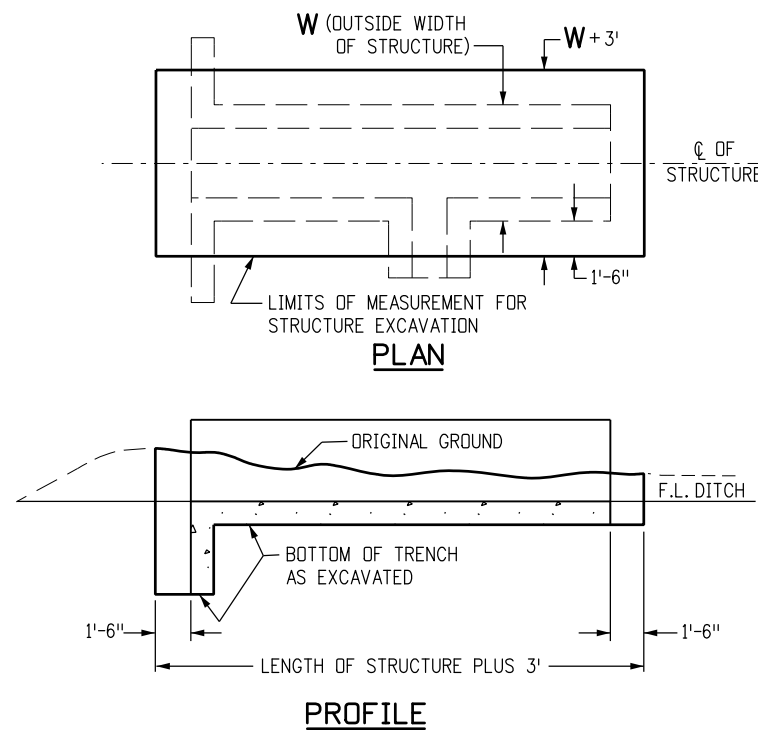
Computer File Information		Sheet Revisions		Colorado Department of Transportation  4201 East Arkansas Avenue Denver, Colorado 80222 Phone: (303) 757-9083 Fax: (303) 757-9820 Project Development Branch DD/LTA	EXCAVATION AND BACKFILL FOR STRUCTURES Issued By: Project Development Branch July 4, 2012	STANDARD PLAN NO.
Creation Date: 07/04/12	Initials: DD	Date:	Comments:			M-206-1
Last Modification Date: 07/04/12	Initials: LTA					Sheet No. 1 of 2
Full Path: www.coloradodot.info/business/designsupport	(R-X)					
Drawing File Name: 206010102.dgn	(R-X)					
CAD Ver.: MicroStation V8	Scale: Not to Scale	Units: English	(R-X)			



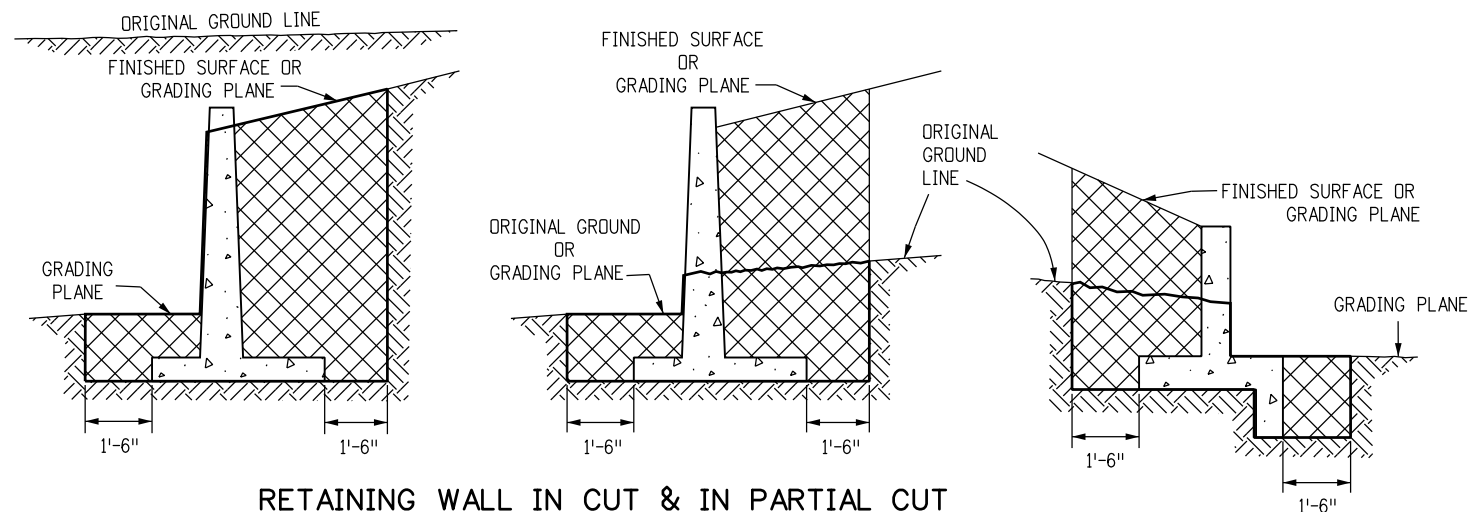
STRUCTURE EXCAVATION MEASUREMENT FOR PIPE CULVERTS



STRUCTURE EXCAVATION MEASUREMENT FOR CONCRETE BOX CULVERTS



STRUCTURE EXCAVATION MEASUREMENT FOR DIVISION BOXES



ANY ADDITIONAL EXCAVATION BEHIND THE LIMITS SHOWN SHALL BE FILLED WITH CLASS I BACKFILL MATERIAL. THE ADDITIONAL EXCAVATION AND BACKFILL WILL NOT BE MEASURED AND PAID FOR.

LEGEND

- STRUCTURE EXCAVATION LIMITS
- STRUCTURE BACKFILL, CLASS 1 OR 2, AS SHOWN ON PLANS
- CONCRETE

Computer File Information	
Creation Date: 07/04/12	Initials: DD
Last Modification Date: 07/04/12	Initials: LTA
Full Path: www.coloradodot.info/business/designsupport	
Drawing File Name: 206010202.dgn	
CAD Ver.: MicroStation V8 Scale: Not to Scale Units: English	

Sheet Revisions	
Date:	Comments
(R-X)	
(R-X)	
(R-X)	
(R-X)	

Colorado Department of Transportation
 4201 East Arkansas Avenue
 Denver, Colorado 80222
 Phone: (303) 757-9083
 Fax: (303) 757-9820

Project Development Branch DD/LTA

EXCAVATION AND BACKFILL FOR STRUCTURES

Issued By: Project Development Branch July 4, 2012

STANDARD PLAN NO.

M-206-1

Sheet No. 2 of 2