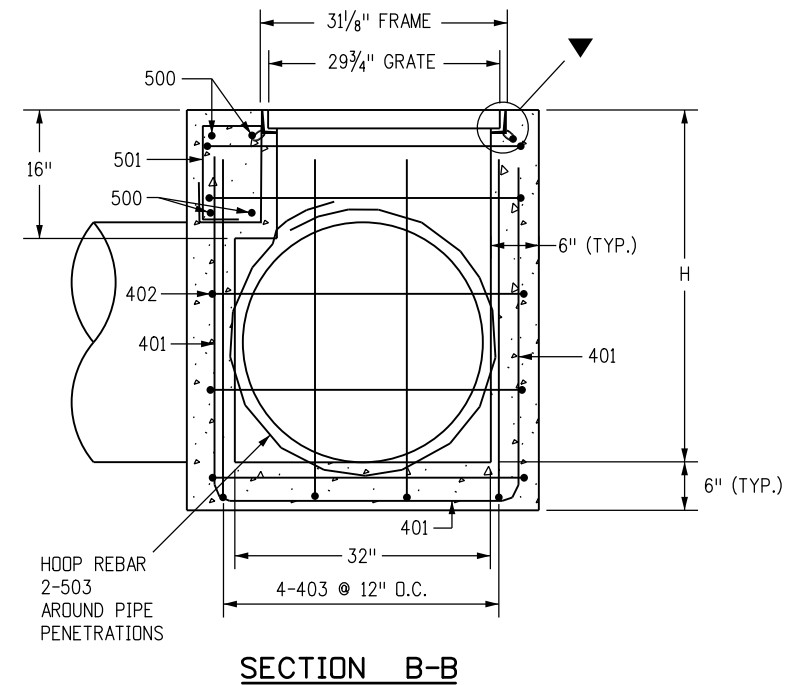
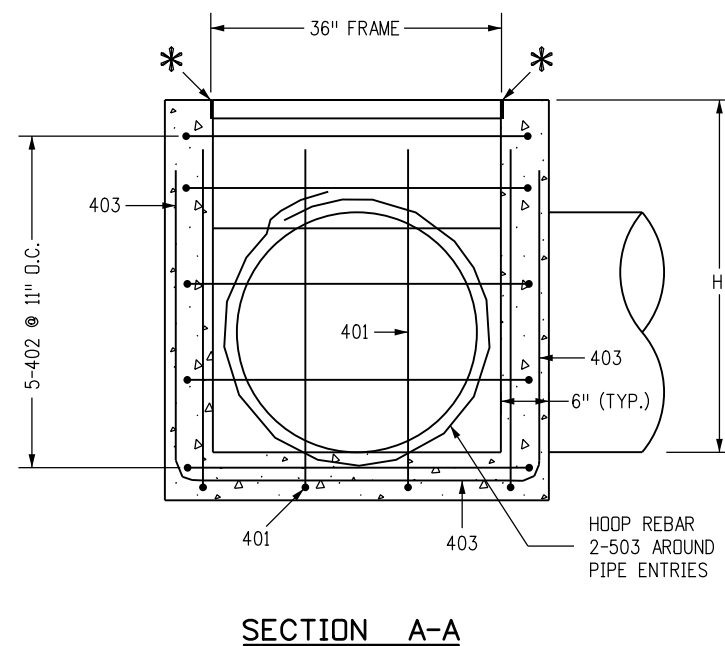


GENERAL NOTES

- FOR THE 32 INCH AND 36 INCH INSIDE INLET DIMENSIONS, THE ALLOWABLE PIPE I.D. IS 30 INCHES OR LESS. FOR THE 72 INCH INSIDE INLET DIMENSION, THE ALLOWABLE PIPE I.D. IS "H" MINUS 18 INCHES, OR LESS, UP TO A MAXIMUM OF 66 INCHES FOR "H" OF 7 FEET OR MORE.
- ALL CONCRETE SHALL BE CLASS B.
- INLET MAY BE CAST-IN-PLACE OR PRECAST.
- REINFORCING BARS SHALL BE #4 UNLESS SHOWN OTHERWISE.
- ALL REINFORCING BARS SHALL BE GRADE 40 AND EPOXY COATED. REINFORCING BARS SHALL HAVE A MINIMUM CLEARANCE OF 2 IN.
- ALL EDGE DISTANCES NOT MARKED "CLEAR" ARE TO THE CENTERLINE OF THE BAR.
- CUT OR BEND REINFORCING BARS AROUND PIPES AS REQUIRED.
- STEPS SHALL BE REQUIRED WHEN THE INLET DEPTH "H" IS EQUAL TO OR GREATER THAN 4 FT. AND SHALL CONFORM TO AASHTO M 199.
- THE INVERT OF THE BOX SHALL BE SLOPED TO DRAIN.
- THE CONTRACTOR SHALL STAMP FLOW ARROWS INTO THE TOP SURFACE OF THE INLET BOX SIDEWALLS TO INDICATE THE DIRECTION OF RUNOFF. THE STAMPED ARROWS SHALL BE 6 IN. LONG, 1 IN. HIGH, AND $\frac{3}{8}$ IN. DEEP. FOR INLETS IN SUMP CONDITIONS, THE STAMPED FLOW ARROWS SHALL INDICATE THE PREDOMINATE DIRECTION OF RUNOFF FLOW.
- A 4 IN. DIA. STAINLESS STEEL MEDALLION WITH "NO DUMPING DRAINS TO STREAM" OR SIMILAR MESSAGE SHALL BE FIRMLY ATTACHED TO TOP OF THE INLET SURFACE WITH A PERMANENT FASTENER. THE MEDALLION WILL HAVE A FISH SYMBOL AND BLUE COLOR BACKGROUND. ALTERNATIVELY, THIS MESSAGE MAY BE CAST WITH 1 IN. HEIGHT LETTERS INTO THE TOP OF THE INLET'S CONCRETE SURFACE OR SURROUNDING CONCRETE APRON. THE NO DUMPING MESSAGE SHALL BE ELIMINATED FOR INLETS LOCATED WITHIN THE SHOULDER OF CONTROLLED ACCESS FREEWAYS WHEN SPECIFIED IN THE PLANS.



LEGEND

- ▼ GRATE TO BE INSTALLED DURING CONSTRUCTION OF THE BOX WITH THE VANE GRATE BOLTED IN PLACE TO THE FRAME.
- * TO FACILITATE REMOVAL OF THE GRATE, PLACE PLYWOOD 3 IN. x 1/4 IN. x 31-3/8 IN. ALONG EDGE OF THE GRATE AS SHOWN.
- ∅ FLOW ARROW STAMP IN DIRECTION OF FLOW (TYP.). FLOW →

Computer File Information

Creation Date: 07/04/12 Initials: DD
 Last Modification Date: 07/04/12 Initials: LTA
 Full Path: www.coloradodot.info/business/designsupport
 Drawing File Name: 6040250105.dgn
 CAD Ver.: MicroStation V8 Scale: Not to Scale Units: English

Sheet Revisions

Date:	Comments
(R-X)	
(R-X)	
(R-X)	
(R-X)	

Colorado Department of Transportation



4201 East Arkansas Avenue
 Denver, Colorado 80222
 Phone: (303) 757-9083
 Fax: (303) 757-9820

Project Development Branch DD/LTA

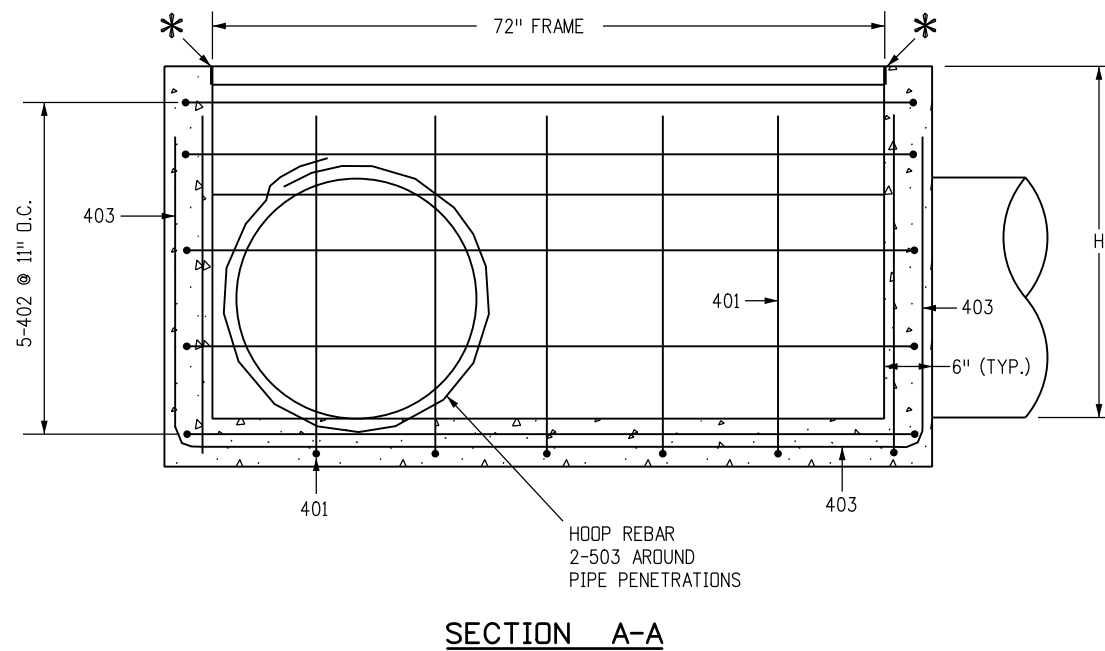
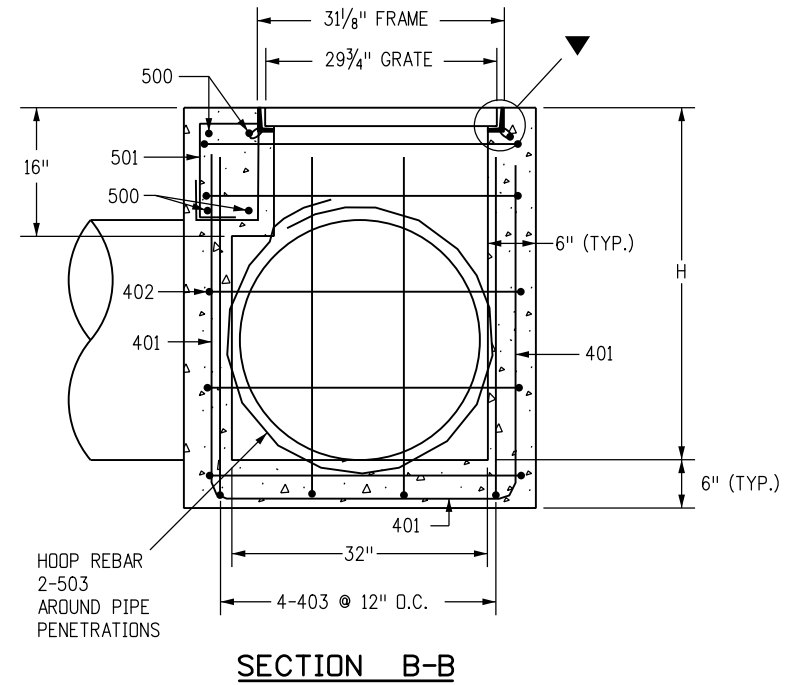
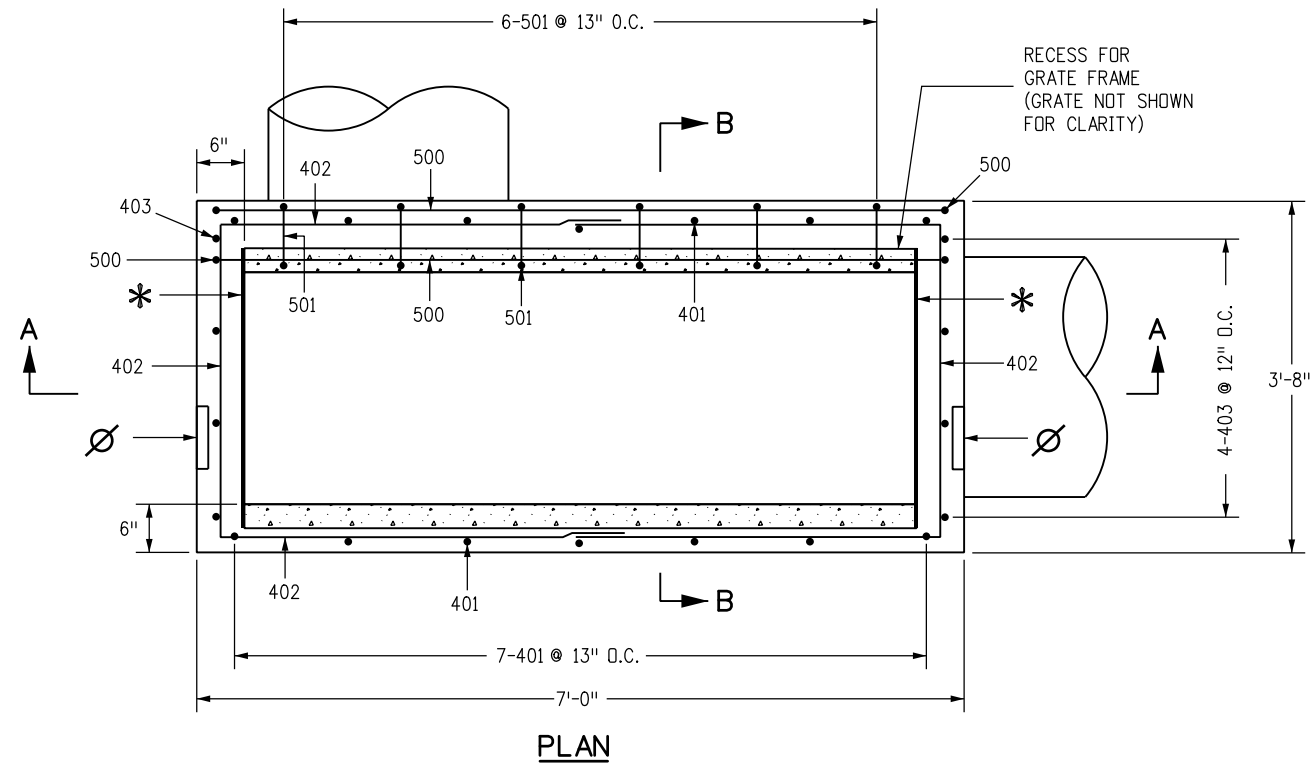
VANE GRATE INLET

Issued By: Project Development Branch July 4, 2012

STANDARD PLAN NO.

M-604-25

Sheet No. 1 of 5



LEGEND

- ▼ GRATE TO BE INSTALLED DURING CONSTRUCTION OF THE BOX WITH THE VANE GRATE BOLTED IN PLACE TO THE FRAME.
- * TO FACILITATE REMOVAL OF THE GRATE, PLACE PLYWOOD 3 IN. x 1/4 IN. x 31-3/8 IN. ALONG EDGE OF THE GRATE AS SHOWN.
- ∅ FLOW ARROW STAMP IN DIRECTION OF FLOW (TYP.). FLOW →

Computer File Information

Creation Date: 07/04/12 Initials: DD
 Last Modification Date: 07/04/12 Initials: LTA
 Full Path: www.coloradodot.info/business/designsupport
 Drawing File Name: 6040250205.dgn
 CAD Ver.: MicroStation V8 Scale: Not to Scale Units: English

Sheet Revisions

Date:	Comments
(R-X)	
(R-X)	
(R-X)	
(R-X)	

Colorado Department of Transportation



4201 East Arkansas Avenue
 Denver, Colorado 80222
 Phone: (303) 757-9083
 Fax: (303) 757-9820

Project Development Branch DD/LTA

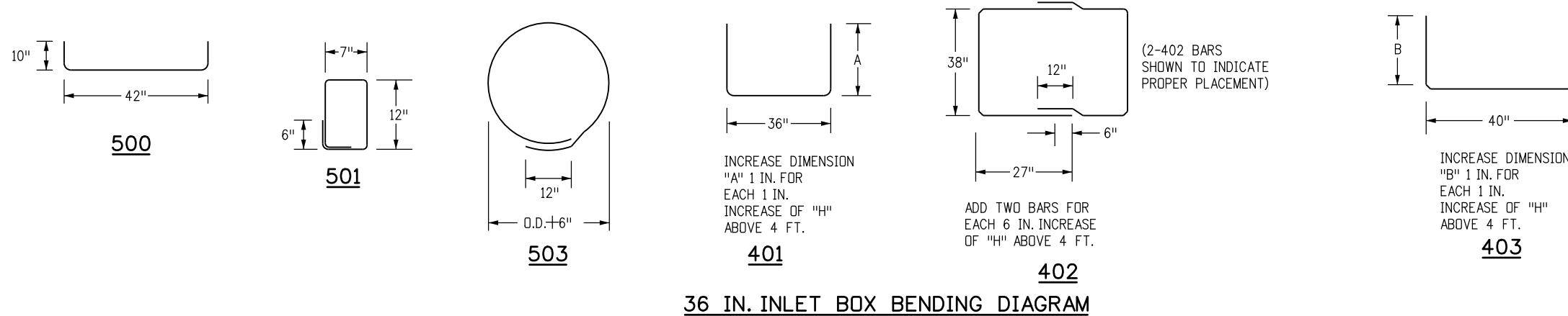
VANE GRATE INLET

Issued By: Project Development Branch July 4, 2012

STANDARD PLAN NO.

M-604-25

Sheet No. 2 of 5



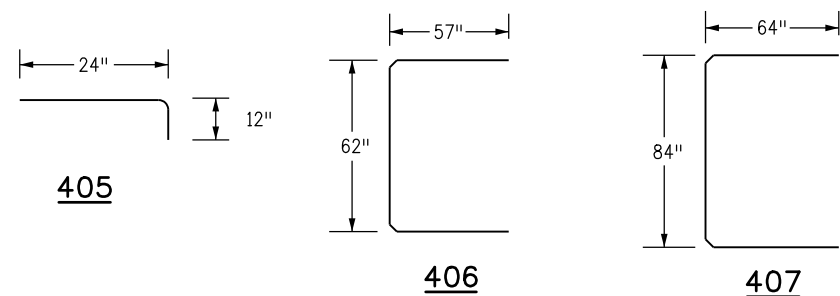
36 IN. INLET BOX BENDING DIAGRAM

QUANTITIES FOR ONE 36 IN. INLET

H	NUMBER OF STEPS REQUIRED	CONC. CU. YD.	STEEL LBS.
4'-0"	1	1.3	180
4'-6"	2	1.5	186
5'-0"	2	1.6	201
5'-6"	2	1.7	207
6'-0"	3	1.8	222
6'-6"	3	1.9	227
7'-0"	3	2.1	243
7'-6"	4	2.2	248
8'-0"	4	2.3	263
8'-6"	4	2.4	269
9'-0"	5	2.5	285
9'-6"	5	2.7	289
10'-0"	5	2.8	306
10'-6"	6	2.9	310
11'-0"	6	3.0	326
11'-6"	6	3.1	331

NOTES

1. CONCRETE QUANTITY INCLUDES VOLUME OCCUPIED BY PIPES.
2. REINFORCING STEEL QUANTITY ASSUMES TWO 503 HOOPS FOR EACH 24 IN. PIPE.
3. BARS NUMBERED IN 400 SERIES INDICATES #4 SIZE BAR. BARS NUMBERED IN 500 SERIES INDICATES #5 SIZE BAR.
4. ALL REINFORCING BARS SHALL BE GRADE 40 AND EPOXY COATED.



INLET APRON BENDING DIAGRAM FOR 36 IN. INLET

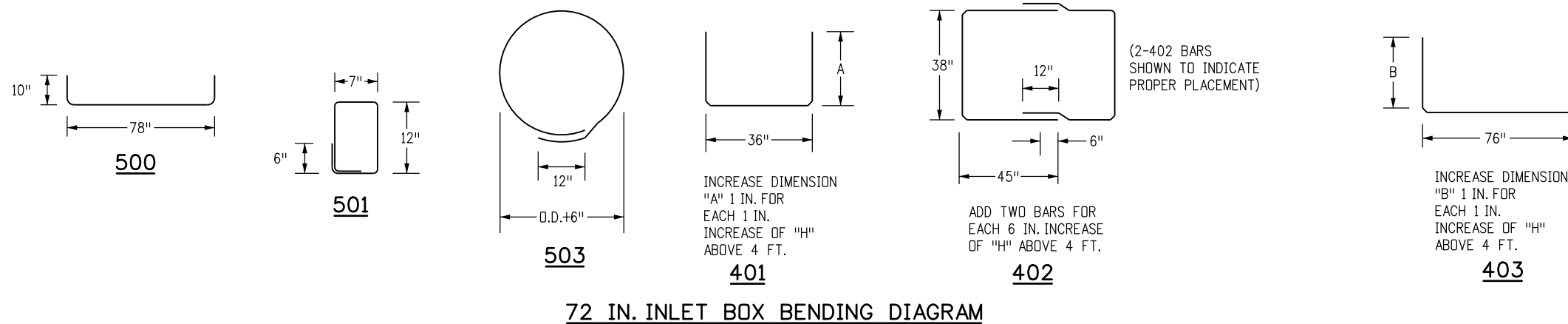
MARK	NO. REQ'D	LENGTH (EACH)
405	9	3'-0"
406	1	14'-8"
407	1	17'-8"

BAR LIST FOR CONCRETE APRON

(FOR INFORMATION ONLY)

MARK	NO. REQ'D	HEIGHT "A"	HEIGHT "B"	LENGTH (EACH)
500	4			5'-2"
501	3			4'-2"
503	4			10'-5"
401	4	3'-10"		10'-8"
402	10			7'-8"
403	4		4'-0"	11'-4"

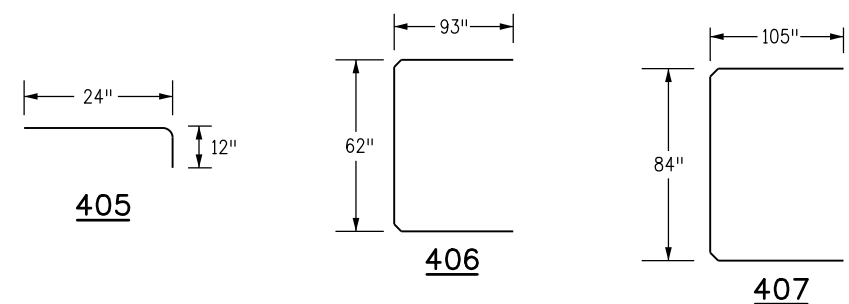
BAR LIST FOR H = 4'-0" 36 IN. INLET



72 IN. INLET BOX BENDING DIAGRAM

QUANTITIES FOR ONE 72 IN. INLET

H	NUMBER OF STEPS REQUIRED	CONC. CU. YD.	STEEL LBS.
4'-0"	1	2.1	253
4'-6"	2	2.3	260
5'-0"	2	2.4	282
5'-6"	2	2.6	289
6'-0"	3	2.8	310
6'-6"	3	3.0	318
7'-0"	3	3.2	339
7'-6"	4	3.3	346
8'-0"	4	3.5	369
8'-6"	4	3.7	376
9'-0"	5	3.9	397
9'-6"	5	4.1	405
10'-0"	5	4.2	426
10'-6"	6	4.4	433
11'-0"	6	4.6	455
11'-6"	6	4.8	462



INLET APRON BENDING DIAGRAM FOR 72 IN. INLET

MARK	NO. REQ'D	LENGTH (EACH)
405	13	3'-0"
406	1	20'-8"
407	1	24'-6"

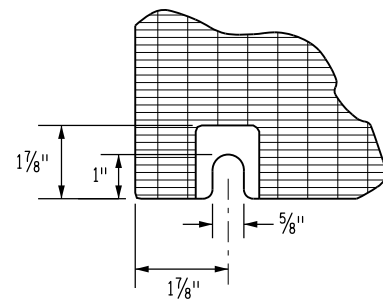
BAR LIST FOR CONCRETE APRON

(FOR INFORMATION ONLY)

MARK	NO. REQ'D	HEIGHT "A"	HEIGHT "B"	LENGTH (EACH)
500	4			8'-2"
501	6			4'-2"
503	4			10'-5"
401	7	3'-10"		10'-8"
402	10			10'-8"
403	4		4'-0"	14'-4"

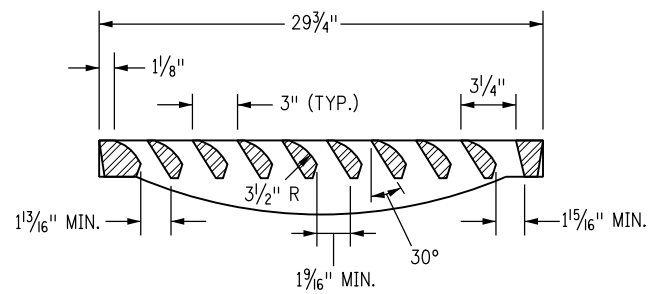
BAR LIST FOR H = 4'-0" 72 IN. INLET

<p>Computer File Information</p> <p>Creation Date: 07/04/12 Initials: DD Last Modification Date: 07/04/12 Initials: LTA Full Path: www.coloradodot.info/business/designsupport Drawing File Name: 6040250305.dgn CAD Ver.: MicroStation V8 Scale: Not to Scale Units: English</p>	<p>Sheet Revisions</p> <table border="1" style="width:100%; border-collapse: collapse;"> <thead> <tr> <th>Date:</th> <th>Comments</th> </tr> </thead> <tbody> <tr><td> </td><td> </td></tr> <tr><td> </td><td> </td></tr> <tr><td> </td><td> </td></tr> <tr><td> </td><td> </td></tr> </tbody> </table>	Date:	Comments									<p>Colorado Department of Transportation</p> <p>4201 East Arkansas Avenue Denver, Colorado 80222 Phone: (303) 757-9083 Fax: (303) 757-9820</p> <p>Project Development Branch DD/LTA</p>	<p>VANE GRATE INLET</p> <p>Issued By: Project Development Branch July 4, 2012</p>	<p>STANDARD PLAN NO.</p> <p>M-604-25</p> <p>Sheet No. 3 of 5</p>
Date:	Comments													

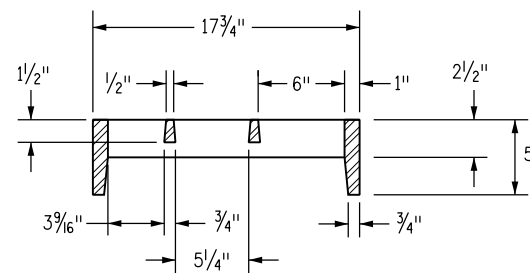


DETAIL A

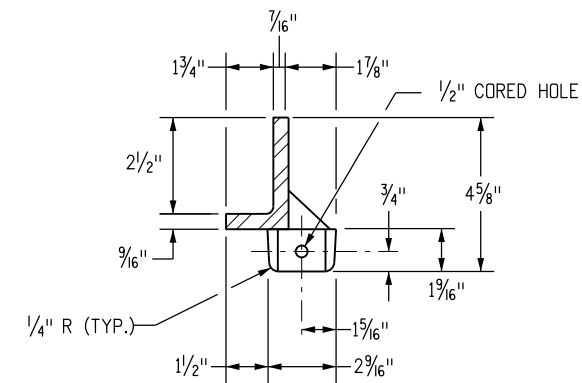
BOLT SLOT AT CORNER (TYP.)



SECTION A-A



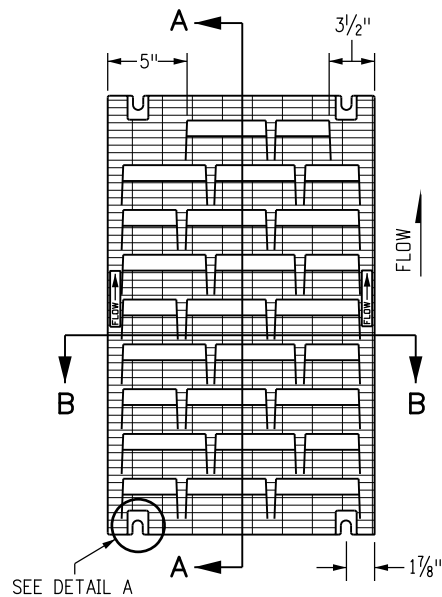
SECTION B-B



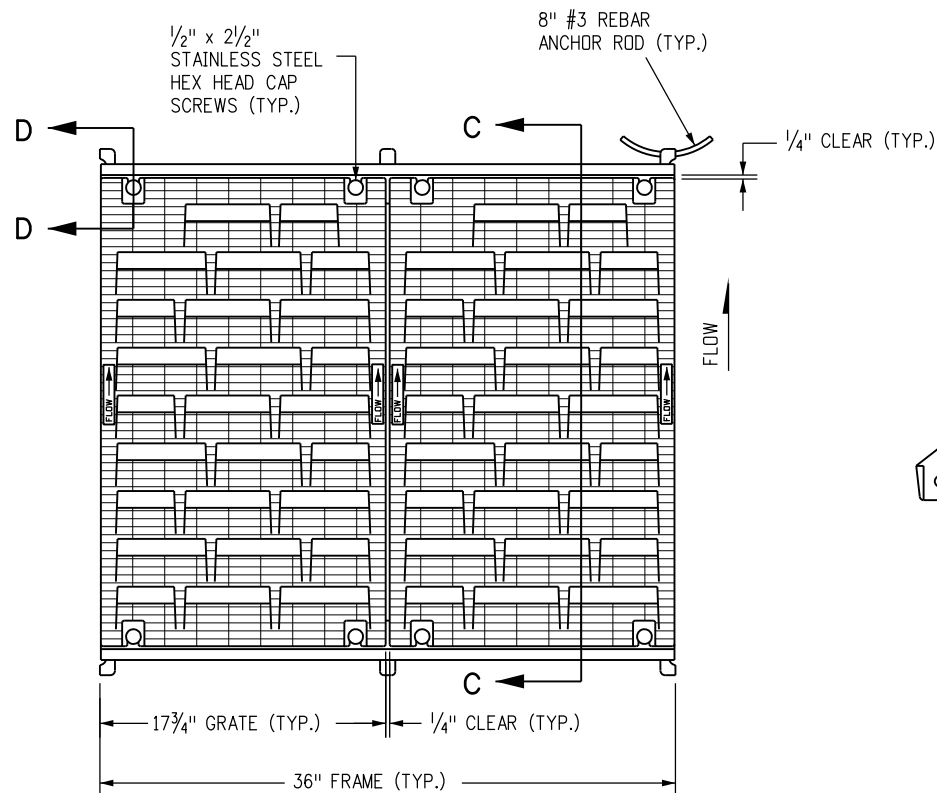
DETAIL B

NOTES

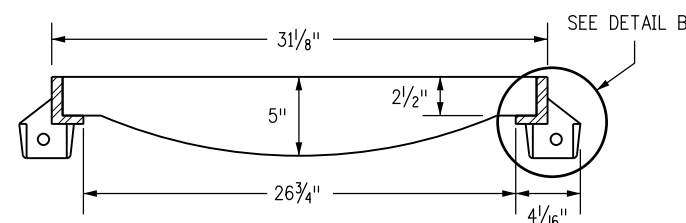
1. FREE OPEN AREA: 190 SQ. IN./GRATE.
2. MATERIAL: CAST GRAY IRON ASTM A-48 CLASS 35B.
3. FINISH: NO PAINT.
4. WEIGHT: GRATE 170 LBS. EACH; FRAME 29 LBS. EACH.
5. ALL REINFORCING BARS SHALL BE EPOXY COATED.



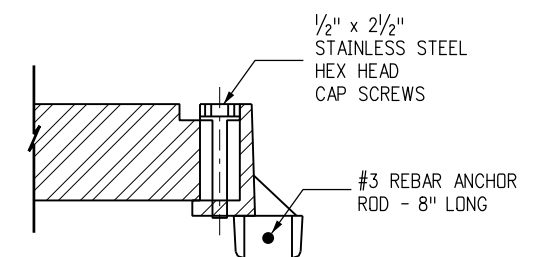
GRATE PLAN



MULTIPLE GRATE WITH FRAME PLAN



SECTION C-C



SECTION D-D

Computer File Information

Creation Date: 07/04/12	Initials: DD
Last Modification Date: 07/04/12	Initials: LTA
Full Path: www.coloradodot.info/business/designsupport	(R-X)
Drawing File Name: 6040250405.dgn	(R-X)
CAD Ver.: MicroStation V8 Scale: Not to Scale Units: English	(R-X)

Sheet Revisions

Date:	Comments
(R-X)	
(R-X)	
(R-X)	
(R-X)	

Colorado Department of Transportation

4201 East Arkansas Avenue
 Denver, Colorado 80222
 Phone: (303) 757-9083
 Fax: (303) 757-9820

Project Development Branch DD/LTA

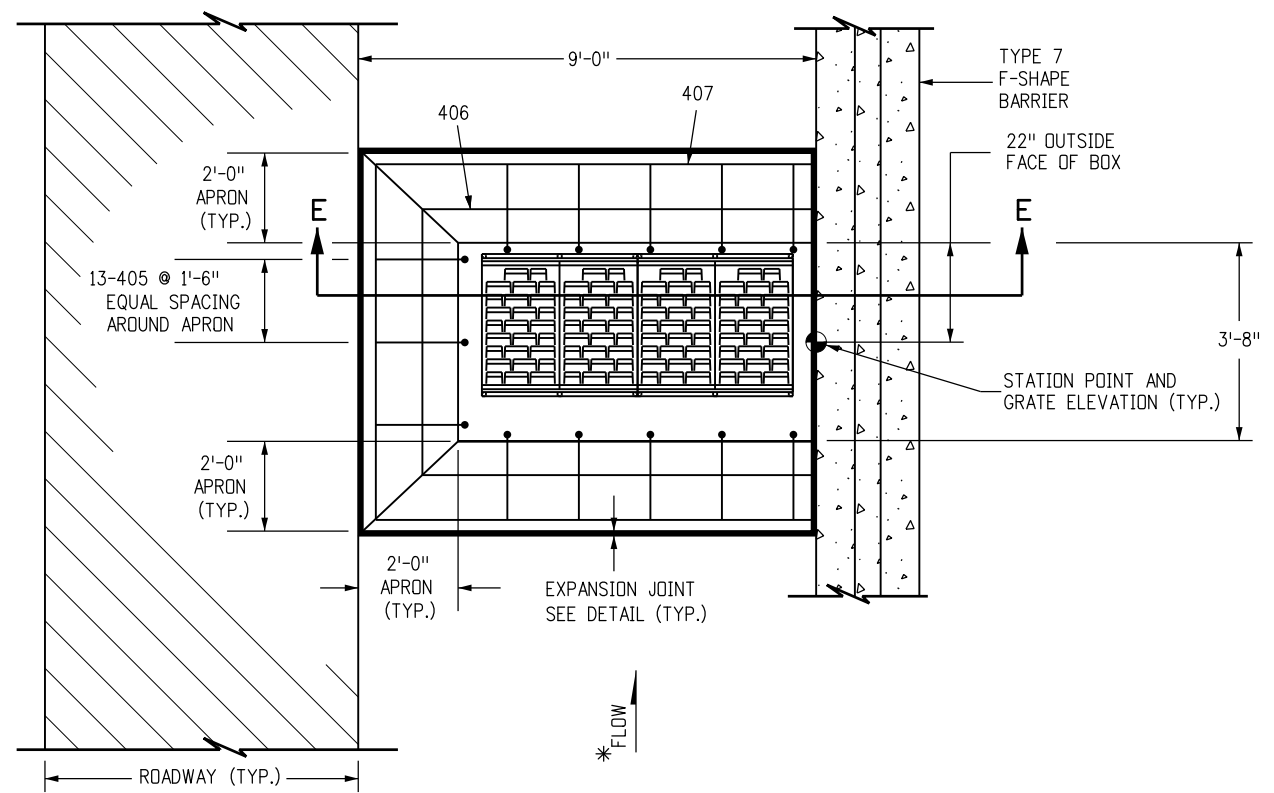
VANE GRATE INLET

Issued By: Project Development Branch July 4, 2012

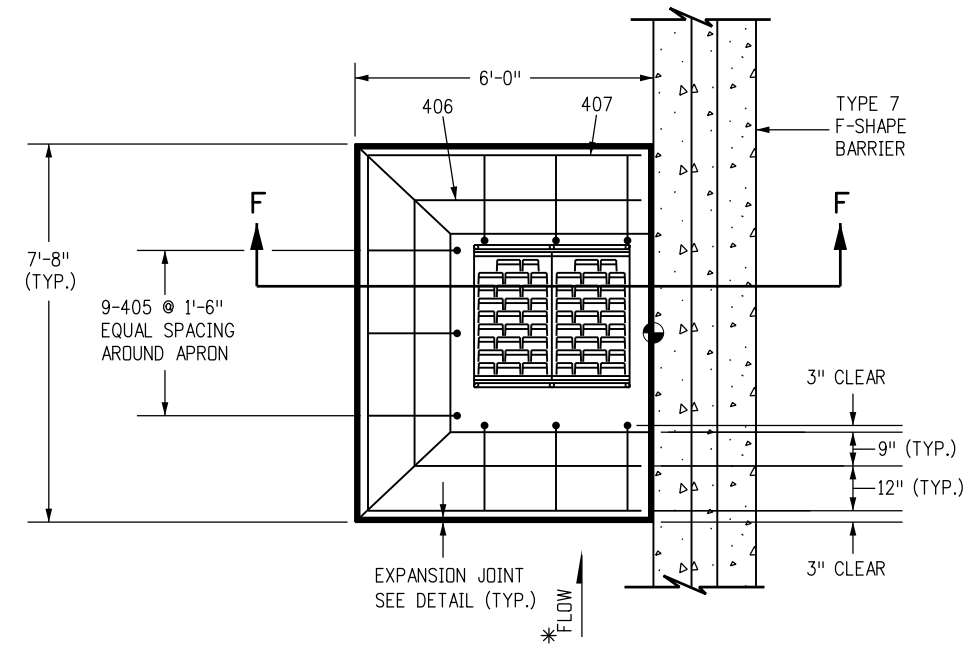
STANDARD PLAN NO.

M-604-25

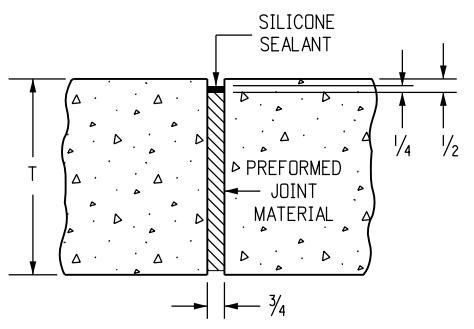
Sheet No. 4 of 5



CONCRETE APRON FOR 72 IN. INLET

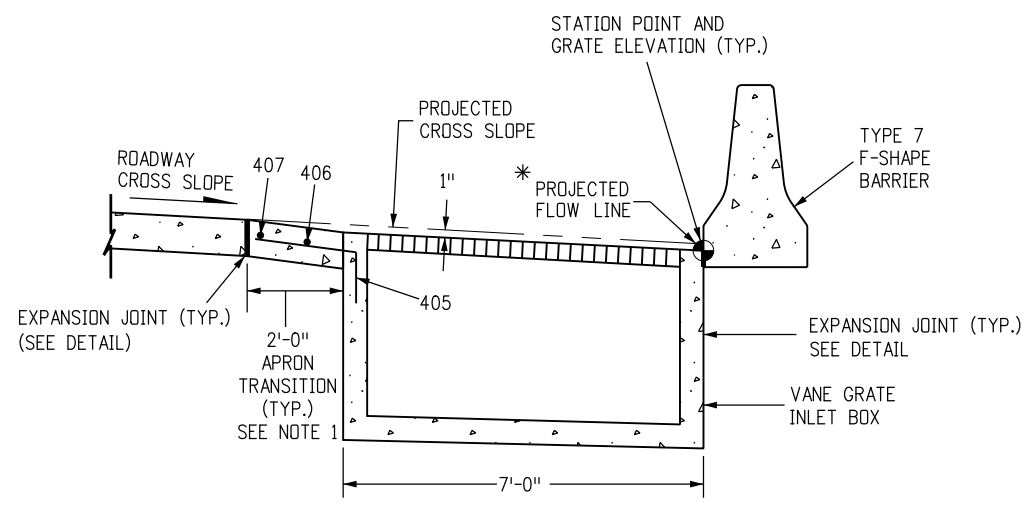


CONCRETE APRON FOR 36 IN. INLET

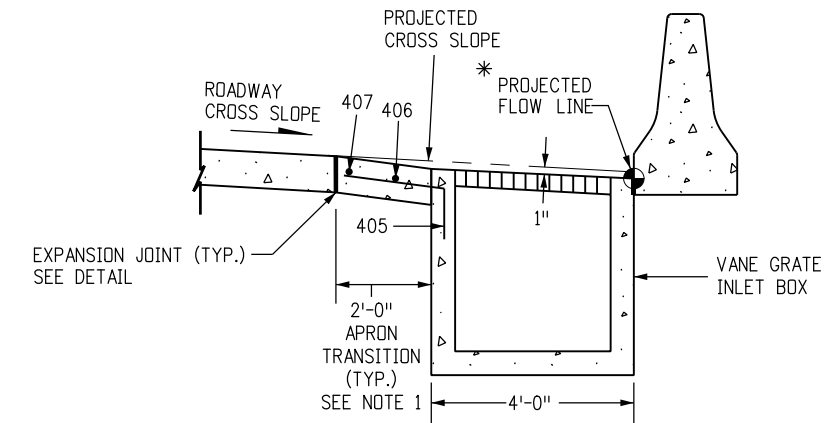


EXPANSION JOINT (TYP.)

- NOTES**
1. A 2 FT. CONCRETE TRANSITION APRON SHALL BE CONSTRUCTED AS SHOWN AND SHALL BE KEYED INTO THE INLET.
 2. CONCRETE APRON SHALL BE THE SAME THICKNESS AND TYPE AS THE SURROUNDING CONCRETE.
 3. THE COST OF THE CONCRETE APRON SHALL BE INCLUDED THE COST OF THE INLET.
- * IF THE INLET IS OFFSET FROM THE BARRIER, SLOPE THE APRON ADJACENT TO THE BARRIER TO DIRECT FLOW TOWARD THE GRATE.



SECTION E-E



SECTION F-F

Computer File Information	
Creation Date: 07/04/12	Initials: DD
Last Modification Date: 07/04/12	Initials: LTA
Full Path: www.coloradodot.info/business/designsupport	
Drawing File Name: 6040250505.dgn	
CAD Ver.: MicroStation V8 Scale: Not to Scale Units: English	

Sheet Revisions	
Date:	Comments
(R-X)	
(R-X)	
(R-X)	
(R-X)	

Colorado Department of Transportation
 4201 East Arkansas Avenue
 Denver, Colorado 80222
 Phone: (303) 757-9083
 Fax: (303) 757-9820

Project Development Branch DD/LTA

VANE GRATE INLET

Issued By: Project Development Branch July 4, 2012

STANDARD PLAN NO.
 M-604-25
 Sheet No. 5 of 5