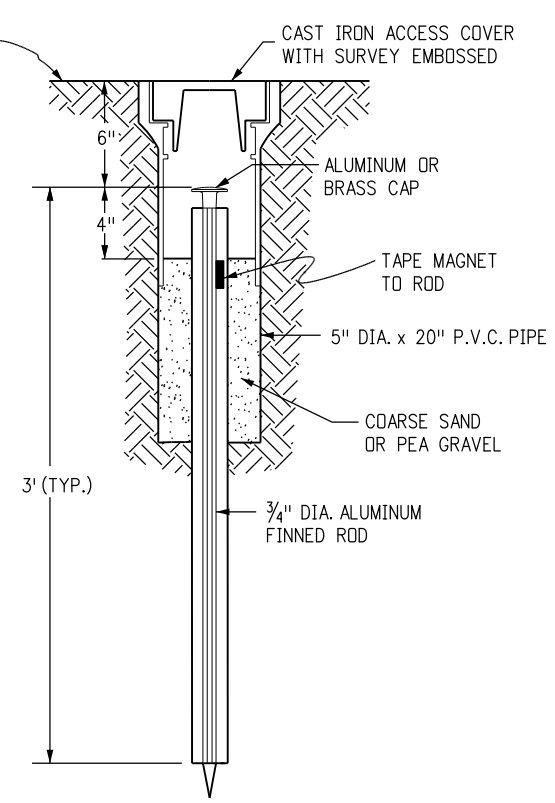
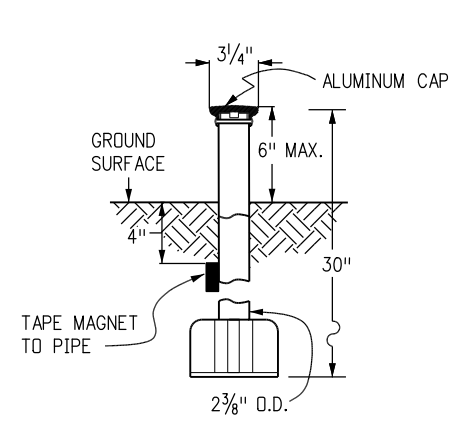


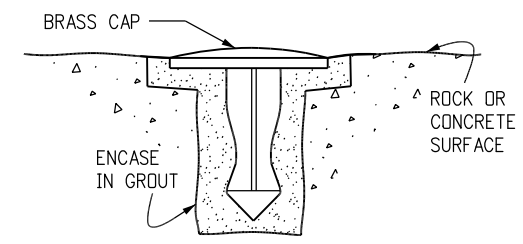
**TYPE 1 MONUMENT**



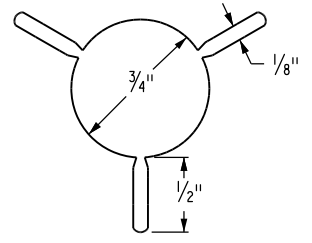
**TYPE 1A MONUMENT**  
INCLUDES MONUMENT BOX



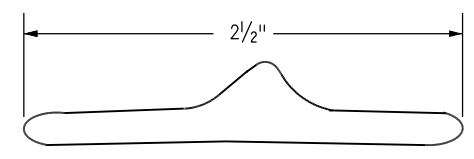
**TYPE 3 MONUMENT**



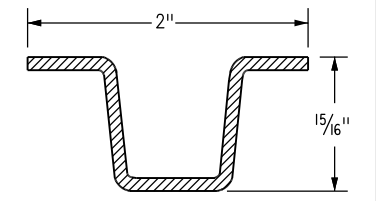
**TYPE 5 MONUMENT**  
ALUMINUM CAP AND TYPE 5(S) DETAILS SHOWN ON SHEET 2



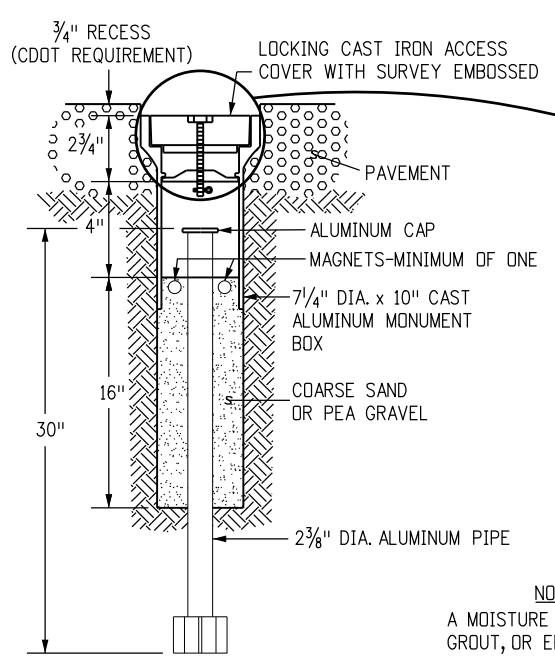
**SECTION A-A**



**SECTION B-B**

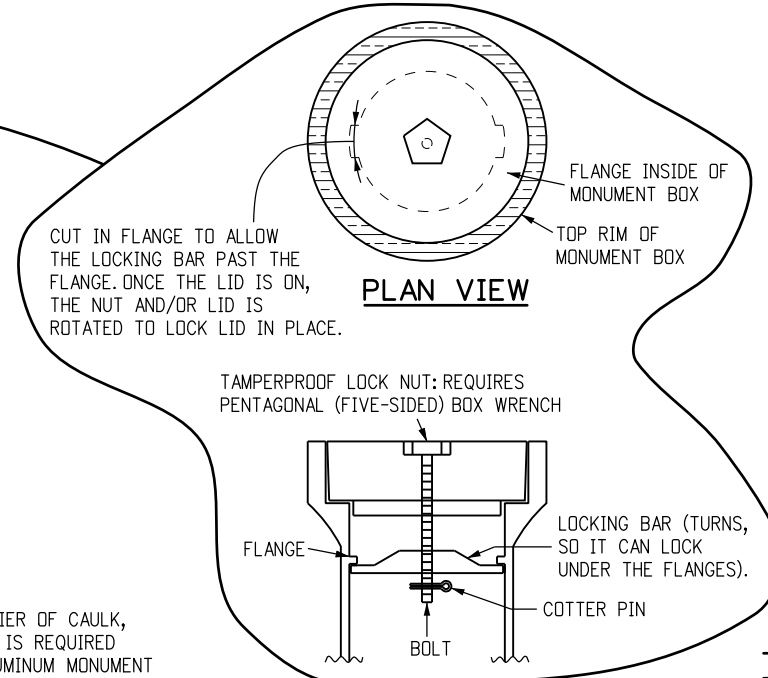


**DELINEATOR POST SECTION C-C**



**TYPE 3A MONUMENT**

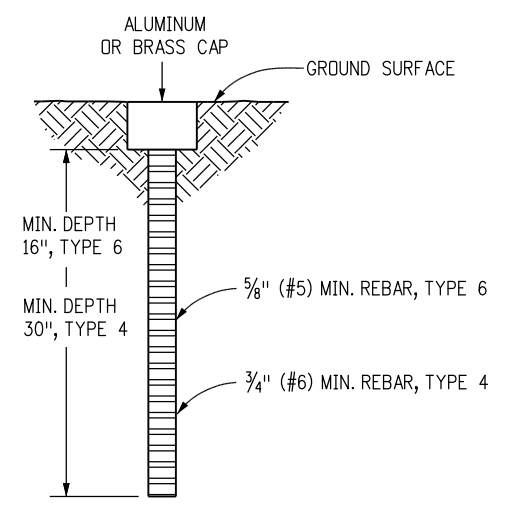
ROADWAY INSTALLATION  
INCLUDES MONUMENT BOX



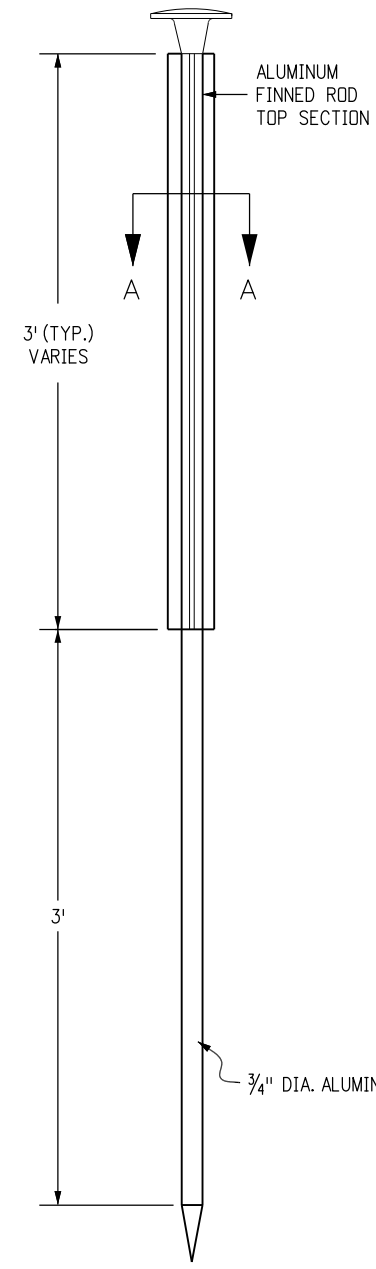
**PLAN VIEW**

**LOCKING CAST IRON ACCESS COVER**

**NOTE:**  
A MOISTURE BARRIER OF CAULK, GROUT, OR EPOXY IS REQUIRED BETWEEN THE ALUMINUM MONUMENT BOX AND THE PAVEMENT.

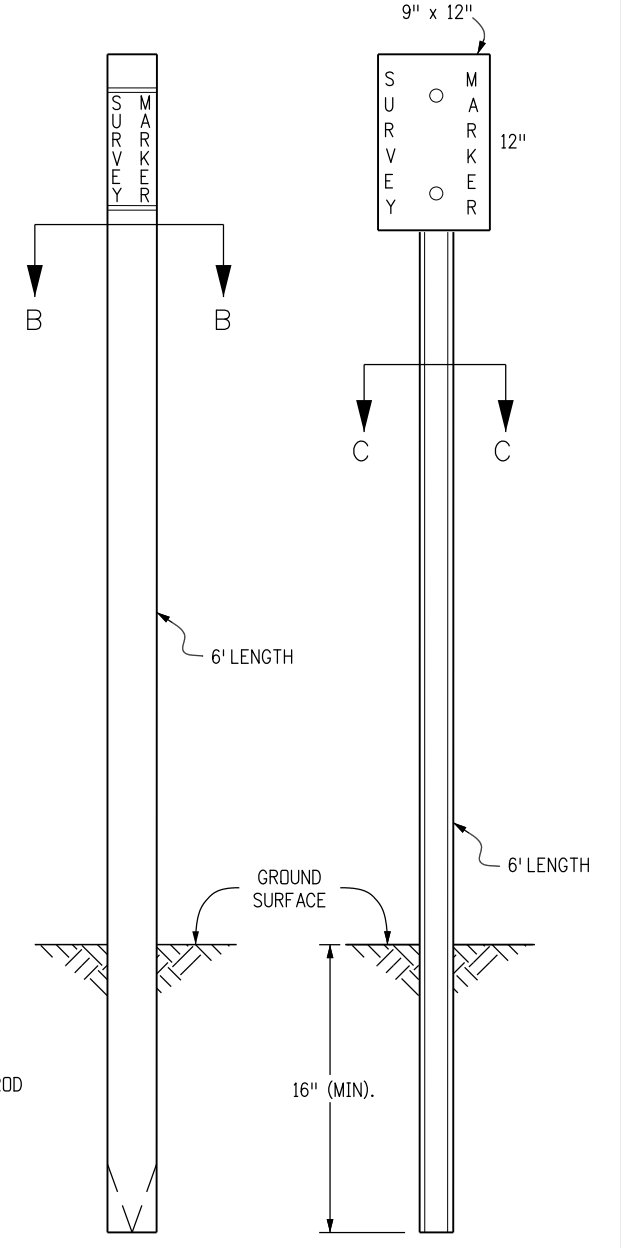


**TYPE 4 AND TYPE 6 MONUMENT**



**TYPE 2 MONUMENT**

TYPE 2A INCLUDES MONUMENT BOX



**WITNESS POSTS**

**Computer File Information**

Creation Date: 7/04/12	Initials: DD
Last Modification Date: 7/04/12	Initials: LTA
Full Path: www.coloradodot.info/business/designsupport	
Drawing File Name: 629010102.dgn	
CAD Ver.: MicroStation V8	Scale: Not to Scale Units: English

**Sheet Revisions**

Date:	Comments:
(R-X)	
(R-X)	
(R-X)	
(R-X)	

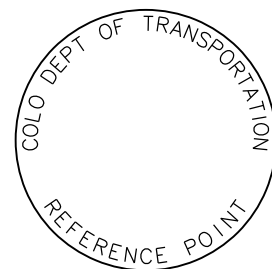
**Colorado Department of Transportation**  
4201 East Arkansas Avenue  
Denver, Colorado 80222  
Phone: (303) 757-9083  
Fax: (303) 757-9820

**Project Development Branch DD/LTA**

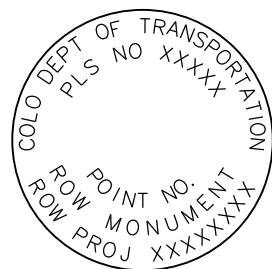
**SURVEY MONUMENTS**

Issued By: Project Development Branch July 4, 2012

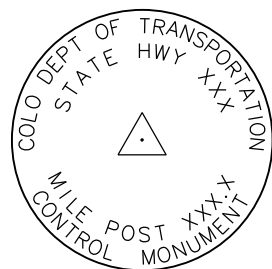
**STANDARD PLAN NO.**  
M-629-1  
Sheet No. 1 of 2



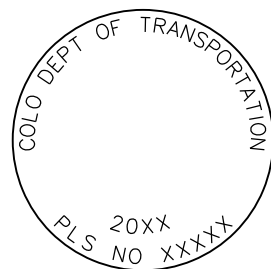
**REFERENCE MONUMENT CAP**



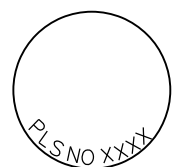
**ROW MONUMENT CAP**



**CONTROL MONUMENT CAP**

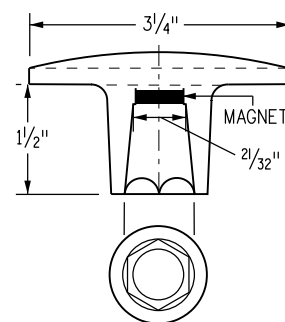


**ALIQUOT CORNER MONUMENT CAP**

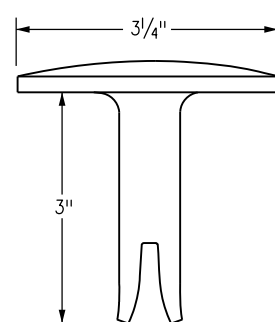


**ALUMINUM CAP**

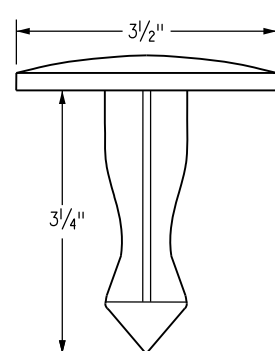
NOTE: A BLANK CAP MAY BE SUBSTITUTED IF THE APPROPRIATE CAP SHOWN ABOVE IS NOT AVAILABLE. IF A BLANK CAP IS USED, ALL INFORMATION NORMALLY INCLUDED ON THE APPROPRIATE STANDARD CAP, SHALL BE STAMPED ON THE BLANK CAP ALONG WITH SPECIFIC PROJECT INFORMATION SUCH AS PROJECT NO., DATE, POINT NO., ETC..



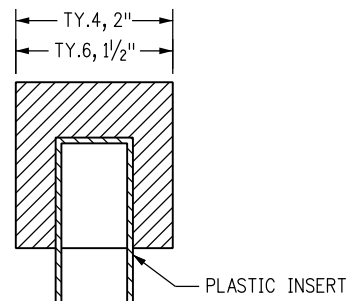
**ALUMINUM CAP USED WITH ALUMINUM ROD**



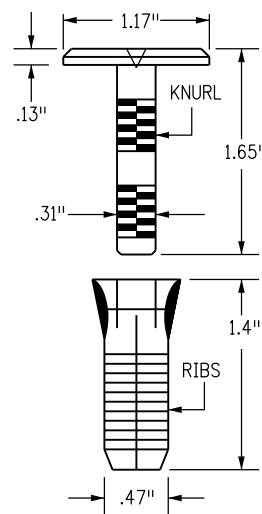
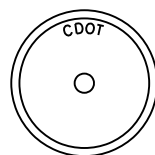
**ALUMINUM CAP TYPE 5 FOR PLACING IN EXISTING CONCRETE OR ROCK**



**BRASS CAP TYPE 5 FOR PLACING IN EXISTING CONCRETE OR ROCK**



**ALUMINUM CAP**



**COPPER ALLOY CAP TYPE 5(S) FOR PLACING IN EXISTING SIDEWALK, CURB, OR GUTTER**

**ALL MONUMENTATION MATERIALS WILL BE FURNISHED BY CDOT**  
THE MONUMENT TYPE SHALL MEET THE MINIMUM STANDARDS AS DETERMINED BY THE COLORADO STATE BOARD OF REGISTRATION FOR PROFESSIONAL LAND SURVEYORS RULES (STATE BOARD RULES).  
THE CDOT SURVEY COORDINATOR SHALL APPROVE ALL EXCEPTIONS FOR STAMPING MONUMENTS DIFFERING FROM THE STANDARDS.

**TYPE 1 AND TYPE 1A ALUMINUM FINNED ROD MONUMENTS**

THIS MONUMENT SHALL BE USED FOR ROW OR REFERENCE MONUMENTS OR MAY BE USED FOR AN ALIQUOT CORNER MONUMENT. WHEN USED AS AN ALIQUOT CORNER MONUMENT, INSTALLATION AND RECORD FILING REQUIREMENTS SHALL BE AS STATED FOR TYPE 3 AND TYPE 3A MONUMENTS.  
MONUMENTS SHALL BE INSTALLED BY ATTACHING THE PROPER SIZE TIP TO ONE END OF A SECTION OF FINNED ROD, AND A 3 IN. LONG X 3/4 IN. DIA. STAINLESS STEEL ADAPTER TO THE OTHER END. THE DRIVER IS THEN PLACED OVER THE STAINLESS STEEL ADAPTER FOR THE HAMMER TO CONTACT. TYPE 1 MONUMENTS SHALL USE A MINIMUM 3 FT. SECTION OF FINNED ROD. WHEN SUBSURFACE ROCK OR CONCRETE IS ENCOUNTERED LESS THAN 3 FT. BELOW THE GROUND SURFACE, THE ROD SHALL BE EMBEDDED IN THE ROCK OR IN CONCRETE AT LEAST 6 IN. AND GROUTED IN PLACE. THE ROD MAY BE SHORTENED TO ACCOMMODATE THE CONDITIONS.  
WHEN UNSTABLE SOIL CONDITIONS ARE ENCOUNTERED, ADDITIONAL SECTIONS OF ROD SHALL BE ADDED TO ACHIEVE STABILITY. HORIZONTAL AND VERTICAL STABILITY ARE REQUIRED.  
TYPE 1A MONUMENT INCLUDES MONUMENT BOX. A LOCKING CAST IRON ACCESS COVER SHALL BE INSTALLED WHEN THE MONUMENT IS LOCATED IN THE ROADWAY PAVEMENT.

**TYPE 2 AND TYPE 2A ALUMINUM FINNED ROD MONUMENTS**

THIS MONUMENT SHALL BE USED FOR HORIZONTAL AND VERTICAL CONTROL MONUMENTS. WHEN UNSTABLE SOIL CONDITIONS ARE ENCOUNTERED, ADDITIONAL SECTIONS OF ROD SHALL BE ADDED TO ACHIEVE STABILITY. HORIZONTAL AND VERTICAL STABILITY ARE REQUIRED. IN MOST SOIL CONDITIONS THE TYPE 2 MONUMENT IS EMBEDDED 6 FT. INTO THE GROUND.  
THE MONUMENT SHALL BE INSTALLED BY FIRST ATTACHING THE PROPER SIZE TIP TO A 3 FT. LONG X 3/4 IN. DIA. ROD, THEN DRIVING THE ROD AT LEAST 30 IN. INTO THE GROUND. ADDITIONAL 3 FT. LONG X 3/4 IN. FINNED ROD SECTIONS SHALL BE ADDED AND DRIVEN FLUSH WITH THE GROUND UNTIL THE MONUMENT IS IN A STABLE POSITION. THE FINNS ARE BENT OVER USING PLIERS TO ACCOMMODATE INSTALLING THE CAP. THE CAP IS FIRMLY SEATED ONTO THE LAST FINNED SECTION OF ROD USING A DEAD BLOW SLEDGE HAMMER.  
TYPE 2A MONUMENT INCLUDES MONUMENT BOX. A LOCKING CAST IRON ACCESS COVER SHALL BE INSTALLED WHEN THE MONUMENT IS LOCATED IN THE ROADWAY PAVEMENT.

**TYPE 3 AND TYPE 3A ALUMINUM PIPE MONUMENTS**

THIS MONUMENT SHALL BE USED FOR AN ALIQUOT CORNER MONUMENT. THE INSTALLATION OF THIS MONUMENT AND RECORD FILING SHALL BE DONE IN ACCORDANCE WITH THE STATE BOARD RULES. ALSO REFER TO THE CDOT SURVEY MANUAL AND THE BUREAU OF LAND MANAGEMENT REQUIREMENTS FOR MONUMENT INSTALLATION. THE LAND SURVEYOR'S LICENSE NUMBER AND THE YEAR SHALL BE STAMPED ON THE CAP.  
TYPE 3A MONUMENT INCLUDES MONUMENT BOX. A LOCKING CAST IRON ACCESS COVER SHALL BE INSTALLED WHEN THE MONUMENT IS LOCATED IN THE ROADWAY PAVEMENT.

**TYPE 4 ALUMINUM MONUMENT**

THIS MONUMENT MAY BE INSTALLED IN LIEU OF REPLACING THE ENTIRE MONUMENT WHEN REBAR IS IN PLACE AT AN ALIQUOT CORNER LOCATION. REFER TO THE STATE BOARD RULES. A MINIMUM 2 IN. DIA. CAP SHALL BE USED ON 3/4 IN. (#6) REBAR.

**TYPE 5 BRASS/ALUMINUM CAP MONUMENT**

THIS MONUMENT MAY BE INSTALLED IN LIEU OF ALL OTHER CDOT MONUMENTS, WHEN THE POSITION IS LOCATED IN CONCRETE OR STABLE ROCK FORMATION.

**TYPE 5(S) COPPER ALLOY CAP MONUMENT - SMALL**

THIS MONUMENT MAY BE INSTALLED IN LIEU OF A TYPE 5 MONUMENT, WHEN THE POSITION IS LOCATED IN A CONCRETE SIDEWALK, CURB OR GUTTER, OR WHEN SETTING A TYPE 5 WOULD COMPROMISE THE INTEGRITY OF THE RECEIVING STRUCTURE.

**STAMPING REQUIREMENTS:**

- "RP", WHEN THE APPLICATION IS A REFERENCE POINT.
- "ROW", POINT NUMBER, "LS", AND REGISTRATION NUMBER WHEN THE APPLICATION IS A ROW POINT.
- "CP" AND A UNIQUE IDENTIFIER PROVIDED BY THE REGION SURVEY COORDINATOR, WHEN THE APPLICATION IS A CONTROL POINT.
- "PE", POINT NUMBER, "LS", AND REGISTRATION NUMBER, WHEN THE APPLICATION IS A PERMANENT EASEMENT POINT.
- "PP" AND POINT NUMBER, WHEN THE APPLICATION IS A PROJECT POINT.

**TYPE 6 ALUMINUM MONUMENT**

THIS MONUMENT SHALL BE USED FOR PERMANENT EASEMENTS, PROJECT BENCH MARKS, PROJECT POINTS, AND REFERENCES. AN ALUMINUM CAP WITH A MINIMUM DIAMETER OF 1 1/2 IN., SHALL BE USED ON 5/8 IN. (#5) MINIMUM REBAR.

**\* WITNESS POSTS**

THE WITNESS POST WILL BE SUPPLIED BY CDOT AND INSTALLATION SHALL BE INCLUDED IN THE WORK. IT SHALL BE DRIVEN WITHIN 1 FT. OF THE MONUMENT WHEN POSSIBLE. A DELINEATOR POST WITH A 9 IN. X 12 IN. METAL SIGN PANEL MAY BE USED IN LIEU OF THE PLASTIC POST. THIS POST SHALL CONFORM TO STANDARD PLAN S-612-1. A REQUIRED WITNESS POST MAY BE OMITTED WITH THE APPROVAL OF THE ENGINEER IF THE WITNESS POST LOCATION IS WITHIN A TRAVELED WAY, DRIVEWAY, OR ACCESS OPENING.

**MONUMENT APPLICATION**

CAP TYPE	MONUMENT TYPE									
	1	1A	2	2A	3	3A	4	5	5(S)	6
REFERENCE	X	X						X	X	X
ROW	X	X						X	X	
CONTROL			X	X				X	X	
ALIQUOT CORNER	X	X			X	X	X	X		
PERMANENT EASEMENT								X	X	X
PROJECT POINTS								X	X	X
WITNESS POST* (REQUIRED)	X		X	X	X			X		

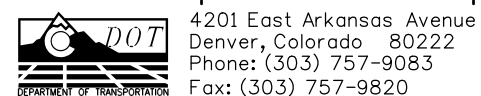
**Computer File Information**

Creation Date: 7/04/12	Initials: DD
Last Modification Date: 7/04/12	Initials: LTA
Full Path: www.coloradodot.info/business/designsupport	(R-X)
Drawing File Name: 629010202.dgn	(R-X)
CAD Ver.: MicroStation V8 Scale: Not to Scale Units: English	(R-X)

**Sheet Revisions**

Date:	Comments

**Colorado Department of Transportation**



Project Development Branch DD/LTA

**SURVEY MONUMENTS**

Issued By: Project Development Branch July 4, 2012

**STANDARD PLAN NO.**

M-629-1

Sheet No. 2 of 2