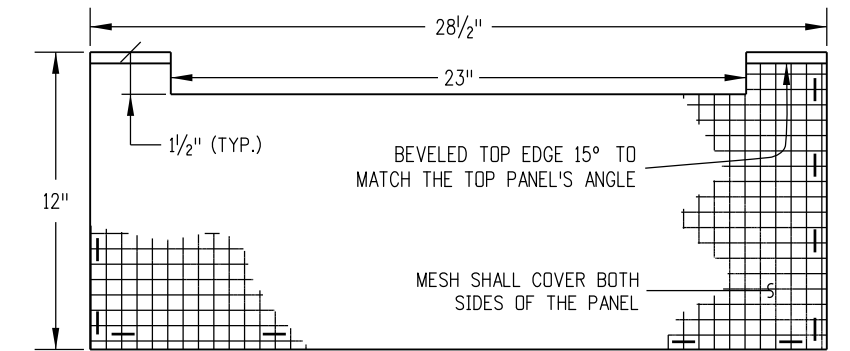
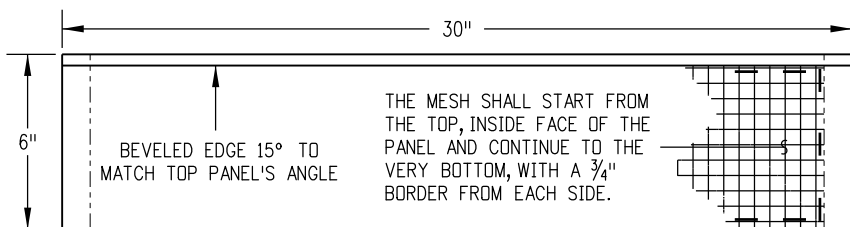


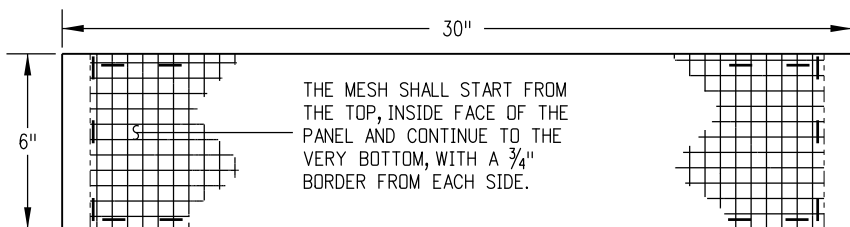
① BACK PANEL (INSIDE)



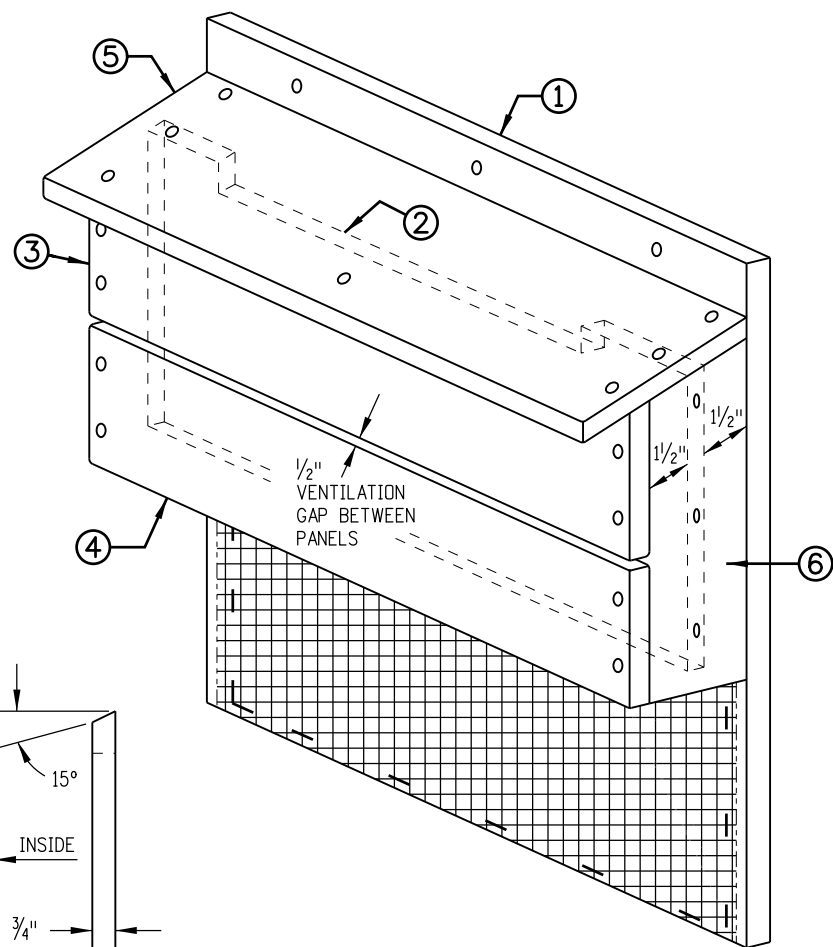
② CENTRAL PARTITION(S)



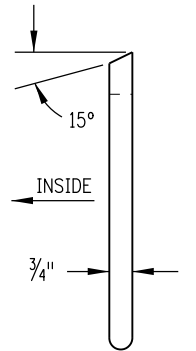
③ TOP-FRONT PANEL (INSIDE)



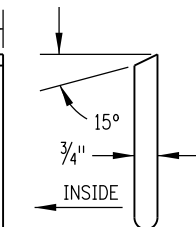
④ BOTTOM-FRONT PANEL (INSIDE)



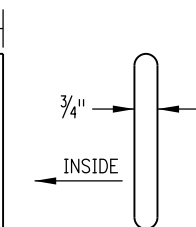
ISOMETRIC VIEW



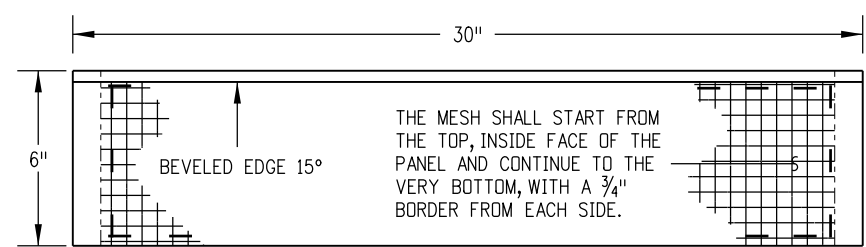
SIDE VIEW



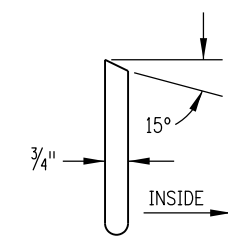
SIDE VIEW



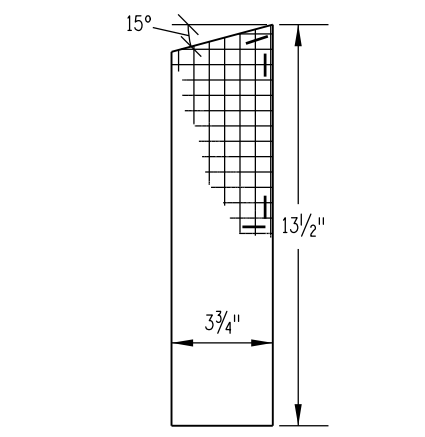
SIDE VIEW



⑤ ROOF PANEL (INSIDE)



SIDE VIEW



⑥ SIDE PANELS (INSIDE)

GENERAL NOTES

- BAT HOUSES CAN BE MADE IN VARIOUS SIZES. THIS ONE IS 30 INCHES WIDE FOR 600 TO 800 BATS. THE HOUSE CAN BE MADE SMALLER FOR LESS BATS, OR DEEPER WITH MORE PARTITIONS FOR MORE BATS. FOR EACH ADDITIONAL PARTITION, SIMPLY ADD THE THICKNESS (3/4 OF AN INCH) OF THE PARTITION PLUS THE NUMBER OF ADDITIONAL SPACES TO THE OVERALL DEPTH, THEN ADJUST THE OVERALL HEIGHT OF THE BOX TO ALLOW ABOUT 6 INCHES FOR THE LANDING AREA.
- THE BACK PANEL OF THE BAT HOUSE SHALL BE 3/4 INCH THICK OUTDOOR GRADE PLYWOOD. ALL OTHER PANELS SHALL BE WESTERN CEDAR OR SPRUCE. IF DIFFERENT PIECES OF WOOD ARE USE TO CONSTRUCT A PANEL, THEY SHALL BE JOINED TOGETHER USING A JOINER/PLANER AND BISCUIT JOINER.
- THE PREFERRED CONSTRUCTION METHOD IS TO HAVE THE PANELS SCREWED TO EACH OTHER USING 2 INCH EXTERIOR GRADE WOOD SCREWS WHICH WILL EXTEND THE LIFE OF THE BAT HOUSE. IT ALSO MAY BE GLUED AND NAILED TOGETHER BUT IF GLUING, ENSURE THE ROOF PANEL IS SCREWED ON SO THAT IT MAY BE REMOVED LATER FOR CLEANING IF REQUIRED.
- LINE ALL INSIDE SURFACES WITH A POLYETHYLENE PLASTIC MESH. THEY SHALL BE FASTEN TO THE WOOD PANELS USING 1#2 INCH TO 3#8 INCH STAPLES ALONG THE EDGES OF THE MESH. DO NOT LEAVE ANY SHARP POINTS OR EDGES THAT WOULD HARM THE BATS. THE MESH SHALL BE FASTEN LOSE ENOUGH THAT THERE IS A LITTLE SPACE BETWEEN IT AND THE PANEL SO THAT THE BATS CAN HANG ON TO IT COMFORTABLY WITH THEIR TALONS.
- CAULK ALL EXPOSED SEAMS WITH AN EXTERIOR LATEX CAULK TO MAKE THE BAT HOUSE DRAFT FREE EXCEPT FOR THE VENTILATION GAP. THE ONLY OPENINGS ARE THE 1/2" VENTILATION GAP BETWEEN THE TWO FRONT PANELS AND THE BOTTOM ENTRANCES/EXITS.
- IN PLACE OF THE PLASTIC MESH, HORIZONTAL GROOVES CAN BE CUT INTO THE PANELS USING A FINE SAW. SPACE THE GROOVES 1/4 INCH TO 1/2 INCH APART AND ABOUT 1/32 INCH TO 1/16 INCH DEEP.
- THE SPACING OF THE PARTITION AS SHOWN IS 1/2 INCH. SPACING BETWEEN 3/4 TO 1/2 OF AN INCH MAY BE USED. THE SPACING DEPENDS ON THE VARIATIONS OF TEMPERATURE WHERE THE BAT HOUSE WILL BE LOCATED. THE WIDER SPACING IS MORE SUITABLE FOR CONSISTENTLY HOTTER CLIMATES AND THE NARROWER SPACING FOR COOLER CLIMATES.
- APPLY TWO COATS OF DARK, WATER-BASED STAIN TO ALL INSIDE SURFACES INCLUDING THE LANDING AREA BEFORE ASSEMBLY. DO NOT USE PAINT.
- THE WHOLE OUTSIDE OF THE BAT HOUSE MAY BE PAINTED FOR PROTECTION AGAINST THE WEATHER. START WITH A WATER BASED PRIMER, FOLLOWED BY TWO OR THREE COATS OF LOW GLOSS LATEX PAINT. IT IS RECOMMENDED THAT A LIGHT COLOR PAINT BE USED IN WARM/HOT CLIMATES AND A DARKER COLOR IN COOL CLIMATES.
- ALL EXPOSED EDGES AND CORNERS SHALL BE SANDED ROUND TO PREVENT CUTTING THE BATS.
- THIS BAT HOUSE IS GOOD FOR MEXICAN, BIG, AND LITTLE BROWN BATS.

Computer File Information	
Creation Date: 03/14/17	Initials: JBK
Last Modification Date: 03/14/17	Initials: LTA
Full Path: www.codot.gov/business/designsupport/	
Drawing File Name: D240010101.dgn	
CAD Ver.: MicroStation V8	Scale: Not to Scale Units: English

Sheet Revisions			
(R-X)	mm/dd/yy	XXXXXXXX	XXXXXX
(R-X)	mm/dd/yy	XXXXXXXX	XXXXXX
(R-X)	mm/dd/yy	XXXXXXXX	XXXXXX
(R-X)	mm/dd/yy	XXXXXXXX	XXXXXX
(R-X)	mm/dd/yy	XXXXXXXX	XXXXXX

Colorado Department of Transportation

Street Address
Office location
City, CO Zip code
Phone: XXX-XXX-XXXX FAX: XXX-XXX-XXXX

Region, Unit Intials/Intials

As Constructed	
No Revisions:	mm/dd/yy
Revised:	mm/dd/yy
Void:	mm/dd/yy

BAT HOUSE

Designer: XXXXXXXX
Detailer: XXXXXXXX
Sheet Subset: XXXXXXXX Subset Sheets: XXX of XXX

Project No./Code
D-240-1
Code
Sheet Number: 1 of 1