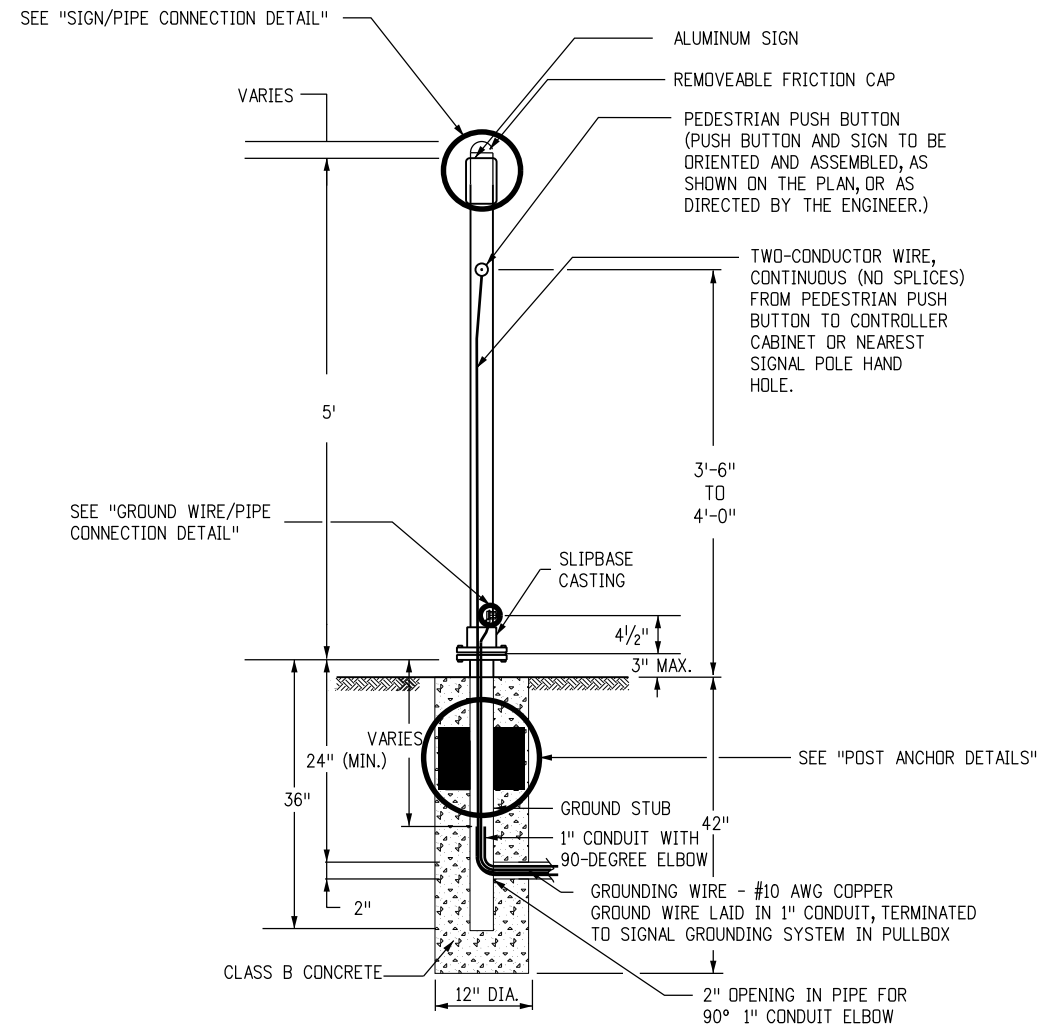
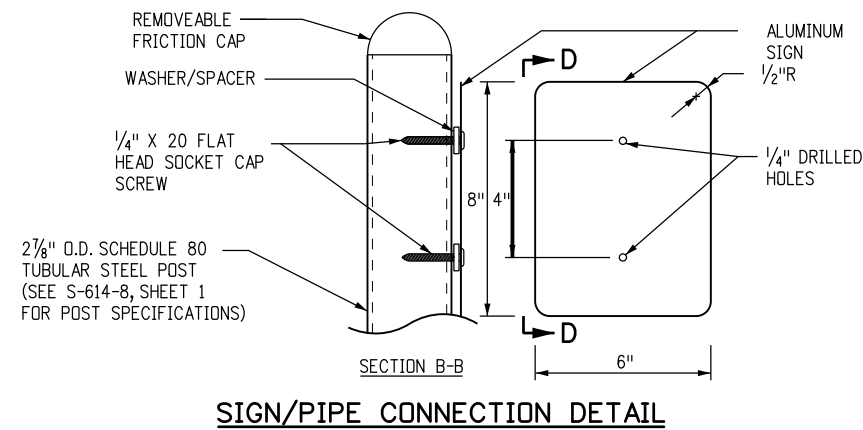


GENERAL NOTE

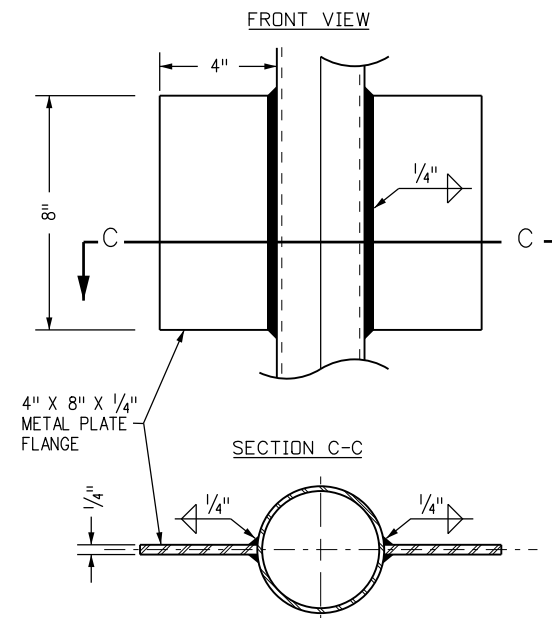
1. THE CONTRACTOR SHALL INSTALL THE POSTS PER THE MANUFACTURER'S RECOMMENDATIONS WITHOUT ADDITIONAL COMPENSATION.
2. ALL POST SHALL BE GALVANIZED AND PAINTED WITH THE COLOR SPECIFIED IN THE PLANS.
3. PUSH BUTTONS SHALL BE ADA COMPLIANT AND MEET THE PROVISIONS FOUND IN "SECTION 4E.08 THROUGH 4E.13 - PEDESTRIAN DETECTORS" IN THE 2009 MUTCD WITH REVISION 1 AND 2.
4. CONCRETE SHALL BE SAW-CUT TO A NEAT LINE. TO PLACE 1" CONDUIT, BACK FILL THE TRENCH WITH FLOW FILL. TOP OF TRENCH SHALL BE CONCRETE CLASS B AT A DEPTH MATCHING SURROUNDING DEPTH OF CONCRETE.



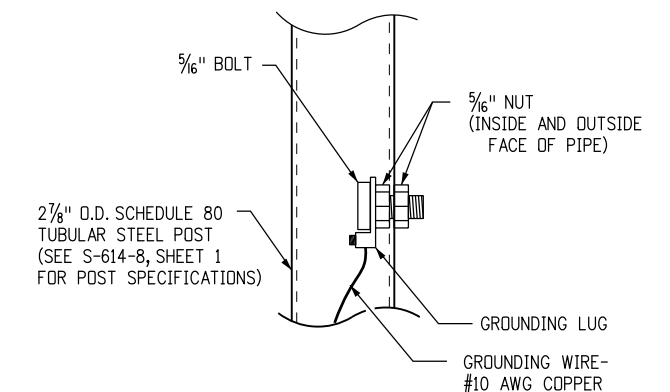
TUBULAR STEEL POSTS WITH SLIPBASE (SINGLE POST)



SIGN/PIPE CONNECTION DETAIL



POST ANCHOR DETAILS



GROUND WIRE/PIPE CONNECTION DETAIL

Computer File Information	
Creation Date: 07/04/12	Initials: SCL
Last Modification Date: 05/24/16	Initials: Crayton
Full Path: codot.gov/library/traffic/traffic-standards/2012-s-standard-plans	
Drawing File Name: S-614-09_1of2.dgn	
CAD Ver.: MicroStation V8 Scale: Not to Scale Units: English	

Sheet Revisions	
Date:	Comments
05/24/16	REV. NOTE 3

Colorado Department of Transportation



4201 East Arkansas Avenue
Denver, Colorado 80222
Phone: 303-757-9543 FAX: 303-757-9219

Safety & Traffic Engineering KCM

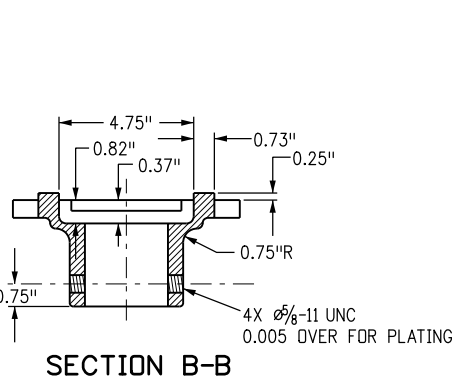
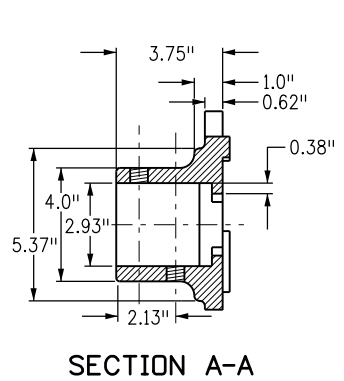
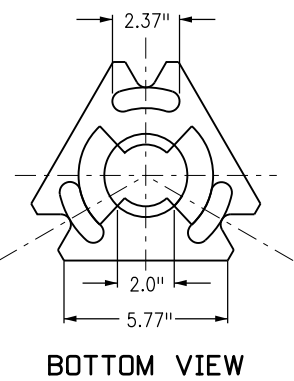
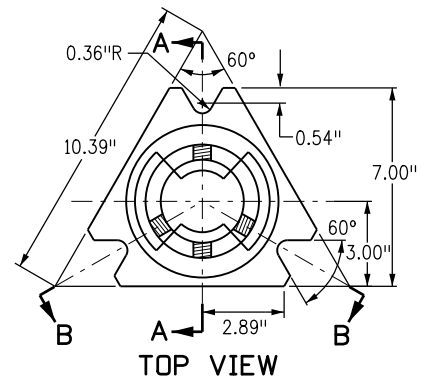
PEDESTRIAN PUSH BUTTON POST ASSEMBLY

Issued By: Safety & Traffic Engineering Branch July 4, 2012

STANDARD PLAN NO.

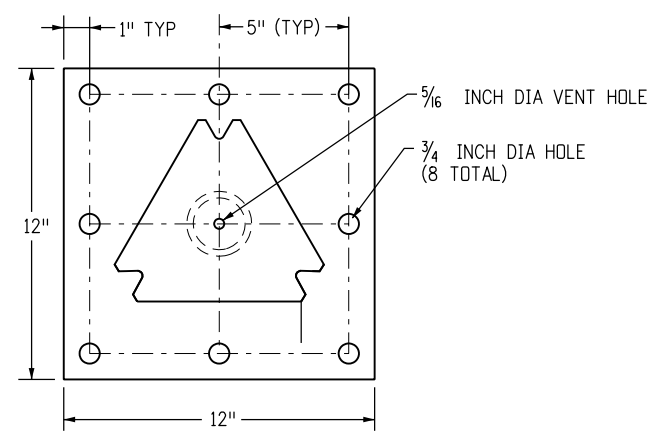
S-614-9

Sheet No. 1 of 2

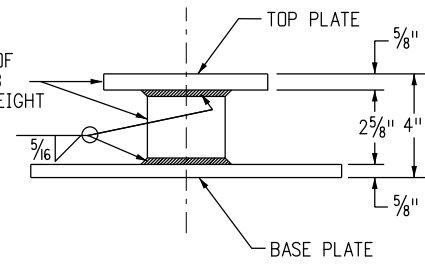


SLIPBASE CASTING

BASE PLATE FABRICATION REQUIREMENTS:
 BASE PLATE: 3/4 INCH ASTM A 36 PLATE STEEL
 PIPE STUB: 3 INCH NOMINAL SCHEDULE 80, ASTM A 500 GR B
 TOP PLATE: MEET REQUIREMENTS OF STD PLAN NO. S-614-8, SHT 3 OF 6
 MEET ASTM A 123 GALVANIZING AFTER FABRICATION IS COMPLETED.



SLIPBASE WILL MEET REQUIREMENTS OF STD PLAN NO. S-614-8 SLIPBASE STUB POST DETAIL EXCEPT FOR OVERALL HEIGHT



BASE PLATE DETAIL

5/8" x 3/4" SOCKET SET FULL DOG SCREW (ZINC PLATED)

3X 5/8" x 3/4" SOCKET SET CUP SCREW (ZINC PLATED) OR 3X 5/8" x 1" CAP SCREW

SURFACE MOUNT SLIPBASE TUBULAR STEEL SIGN BASE REQUIREMENTS

FOR 2-7/8 INCH POSTS (P1 OR P2 POSTS)
 FOR CONCRETE SURFACES GREATER THAN 7 INCHES THICK
 FOR CONCRETE SURFACES GREATER THAN 12 INCHES IN WIDTH

MOUNTING HARDWARE

- 8 - EACH 5/8" x 5/2" INCH LONG "HILTI KWIK HUS-EZ" SCREW ANCHORS
- 16 - EACH 5/8" INCH FLAT WASHERS
- 8 - EACH 5/8" INCH LOCK WASHERS
- 8 - EACH 5/8" INCH NUTS

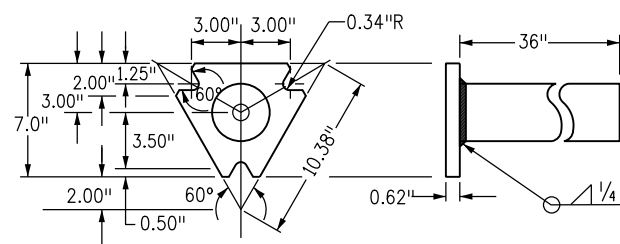
INSTALLATION REQUIREMENTS:

DRILL: (8) - 5/8" INCH HOLES 6 INCH DEEP, CLEAN HOLE PRIOR TO INSTALLING ANCHORS
 USE ADDITIONAL WASHERS FOR SHIMMING TO LEVEL BASE PLATE.

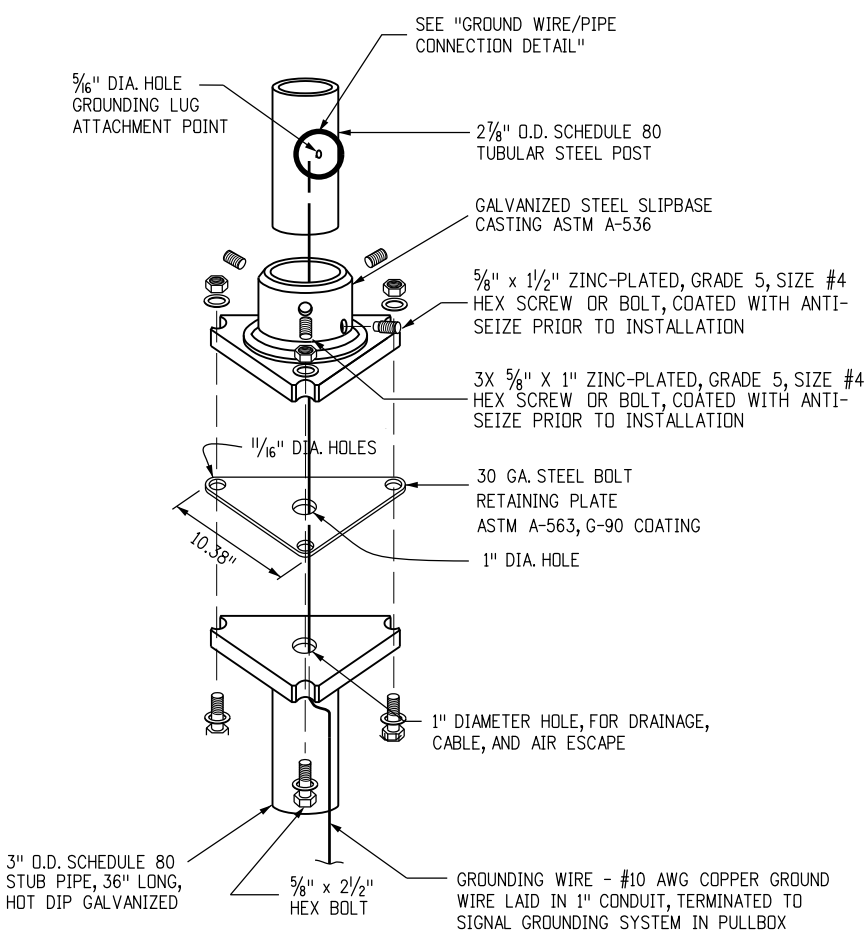
ALL HARDWARE WILL BE GALVANIZED OR ZINC PLATED.

SURFACE MOUNT SLIPBASE TUBULAR STEEL SIGN BASE NOTES

1. REFER TO SIGNING PLANS FOR SIGN LOCATIONS AND HEIGHT
2. MINIMUM ALLOWABLE TENSION CAPACITY FOR WEDGE ANCHORS = 3000 LBS.
3. MAXIMUM ALLOWABLE MOMENT FOR SIGN BASE = 5.13 kip-ft.



SLIPBASE STUB POST



TYPICAL SLIPBASE ASSEMBLY


CAST-IN-PLACE SLIPBASE INSTALLATION

RETRO-FIT SLIPBASE INSTALLATION

Computer File Information	
Creation Date: 07/04/12	Initials: SCL
Last Modification Date: 05/24/16	Initials: DiNardo
Full Path: codot.gov/library/traffic/traffic-standards/2012-s-standard-plans	
Drawing File Name: S-614-09_2of2.dgn	
CAD Ver.: MicroStation V8 Scale: Not to Scale Units: English	

Sheet Revisions	
Date:	Comments
05/24/16	NEW SHEET. INCLUDES SLIP BASE DETAILS PLUS 4" BASE PLATE DETAIL

Colorado Department of Transportation



4201 East Arkansas Avenue
 Denver, Colorado 80222
 Phone: 303-757-9543 FAX: 303-757-9219

Safety & Traffic Engineering KCM

**PEDESTRIAN PUSH BUTTON
 POST ASSEMBLY**

Issued By: Safety & Traffic Engineering Branch July 4, 2012

STANDARD PLAN NO.

S-614-9

Sheet No. 2 of 2