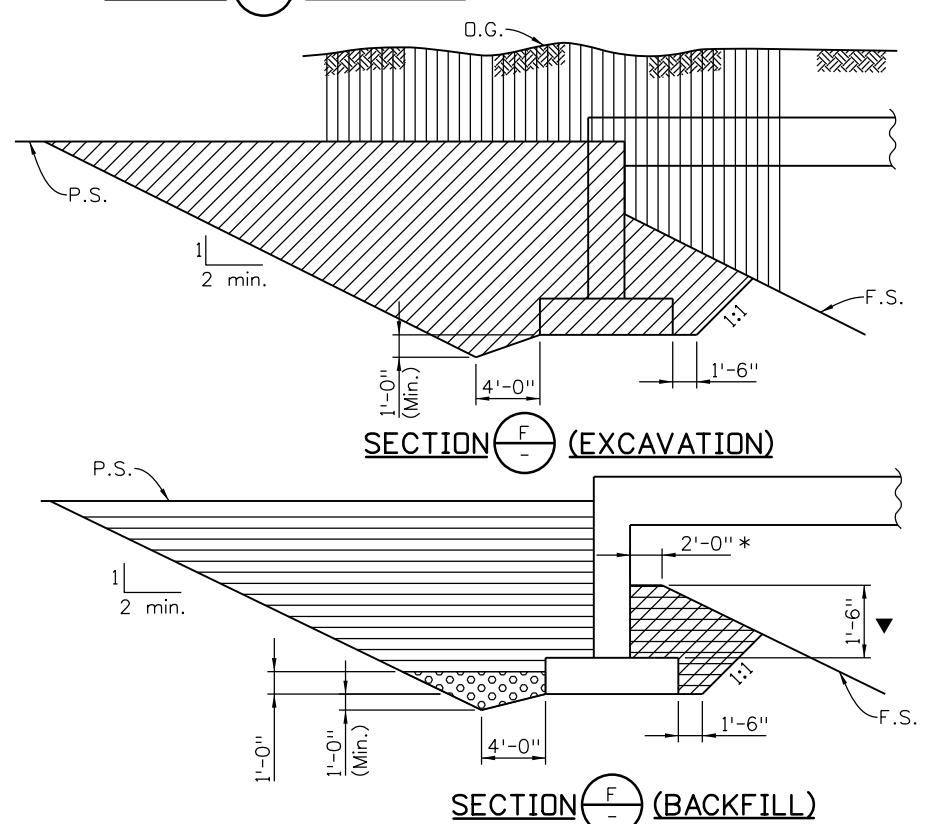
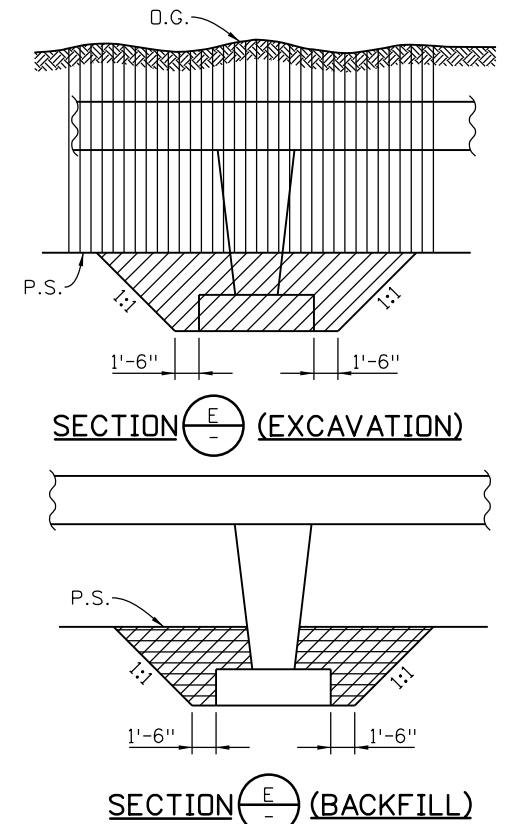
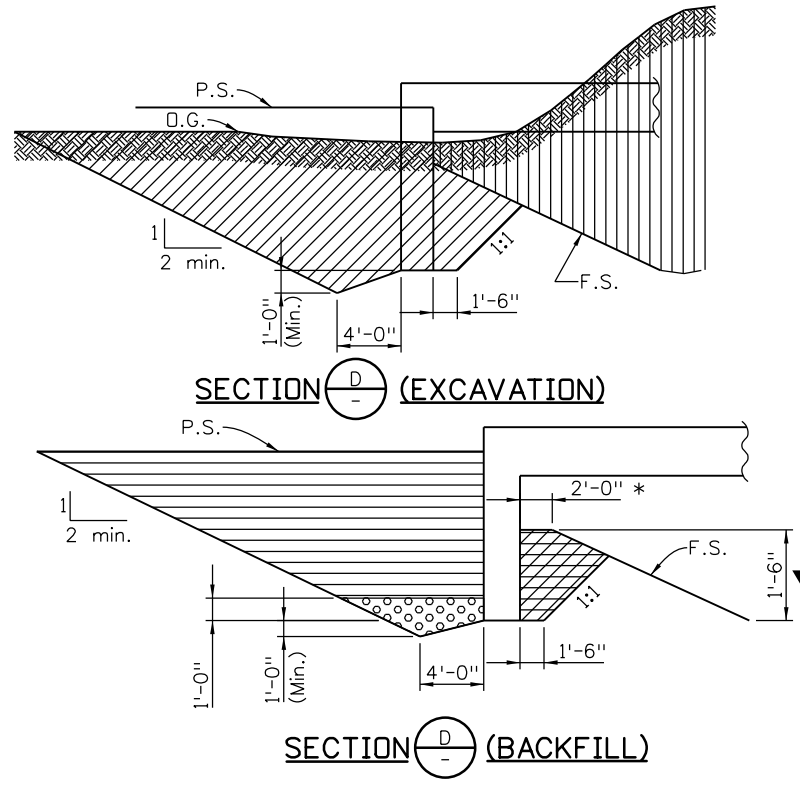
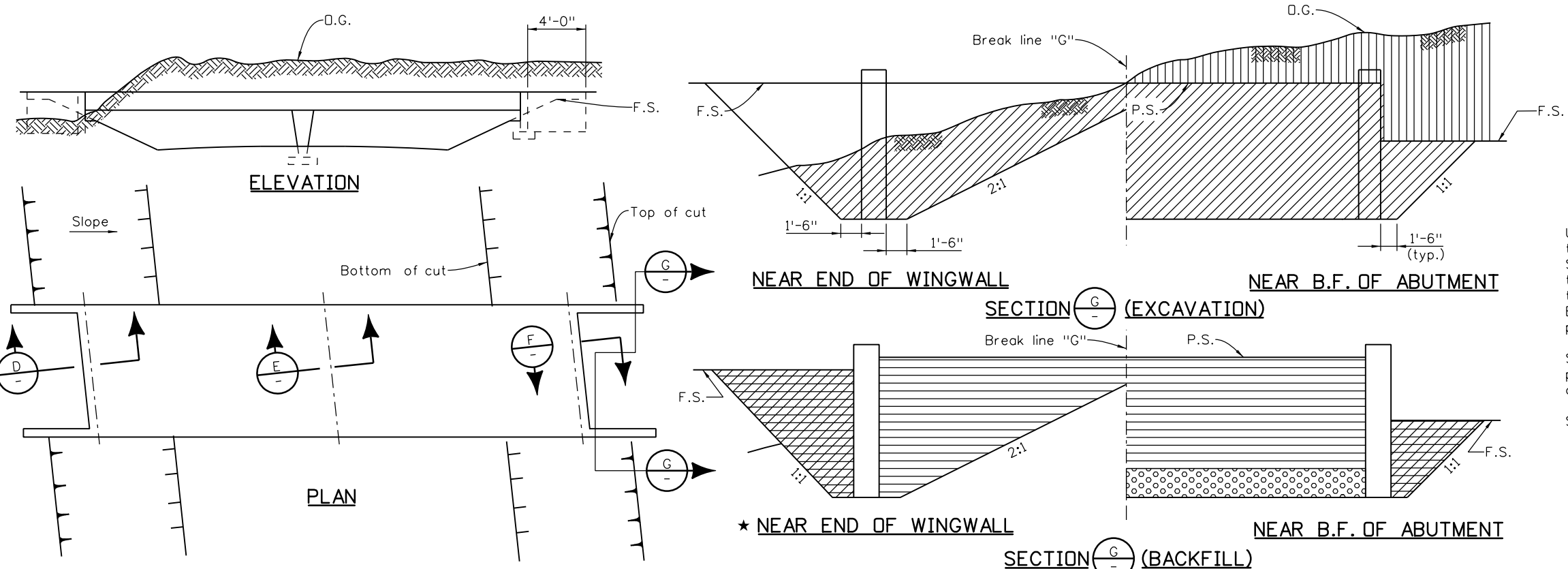


B-206-3

(Use with B-206-F1,  
B-206-F2, B-206-M1,  
or B-206-M2)



**GENERAL NOTES**

Unless shown otherwise in the plans, this drawing gives the minimum extent of Structure Excavation and Structure Backfill. The Contractor may elect to extend the Structure Excavation and Structure Backfill beyond the limits shown here. Any additional Excavation or Backfill beyond these limits will not be measured nor paid for.

Structure footings which are located in rock shall be poured out to undisturbed rock, without forming, in conformance with 601.09.

Structure Excavation for Slope Paving not shown.

★ For purposes of quantity calculations this template applies out to end of wingwall.

**LEGENDS**

- Roadway Excavation
- Structure Excavation
- Structure Backfill (flowfill), or Structure Backfill (Class 1) with Mechanical Reinforcement of Soil, as shown elsewhere in the plans.
- Structure Backfill (Class 2)
- Filter Material

**ABBREVIATIONS**

- D.G. Original Ground
- P.S. Planned Subgrade
- F.S. Planned Finished Surface

\* = Minimum berm dimension.  
▼ = Minimum embedment, of abut., in Structure Backfill.

| Revision Dates (Preliminary Stage Only) |       |
|---|-------|
| 3/99                                    | 10/13 |
| 5/00                                    | 7/10  |
| 11/99                                   | 3/07  |
| 4/02                                    | 9/02  |
| 5/00                                    | 4/02  |

| Design      |            | Detail      |            | Quantities    |            |
|-------------|------------|-------------|------------|---------------|------------|
| INITIAL     | DATE       | INITIAL     | DATE       | INITIAL       | DATE       |
| XXX         | MM/YY      | XXX         | MM/YY      | XXX           | MM/YY      |
| Designed By | Checked By | Designed By | Checked By | Quantities By | Checked By |
| XXX         | XXX        | XXX         | XXX        | XXX           | XXX        |

|  |  |                        |          |                                       |  |                |               |  |  |                  |  |  |
|--|--|------------------------|----------|---------------------------------------|--|----------------|---------------|--|--|------------------|--|--|
| Print Date: \$DATE\$                                 |  | <b>Sheet Revisions</b> |          | Colorado Department of Transportation |  | As Constructed |               | EXCAVATION AND BACKFILL FOR BRIDGES IN CUT |  | Project No./Code |  |  |
| File Name: Sheet_B-206-3.dgn                         |  | Date:                  | Comments | Init.                                 | <br>4201 East Arkansas Avenue<br>Room 107<br>Denver, CO 80222<br>Phone: 303-757-9309 FAX: 303-757-9197 |                | No Revisions: |  | Designer: XXXXXXXX Structure X-XX-XX<br>Detailer: XXXXXXXX Numbers X-XX-XX |                  | Project Number                                 |  |
| Horiz. Scale: NTS Vert. Scale: As Noted              |  |                        |          |                                       |  |                | Revised:      |  |  |                  | Sheet Subset: BRIDGE Subset Sheets: BXX of XXX |  |
| Staff Bridge Branch - Unit 022X Unit Leader Initials |  |                        |          |                                       | Void:  |                |               |  | Sheet Number   |                  |  |  |
|  |  |                        |          | Staff Bridge Branch                   |  | Initials       |               |  |  |                  |  |  |

\$PLOT\_INFD\$