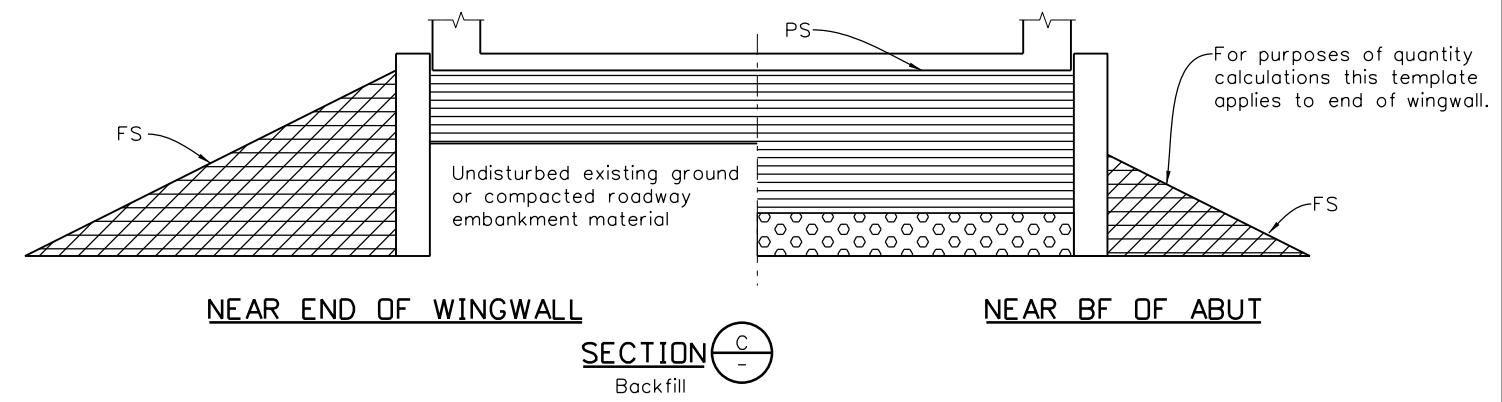
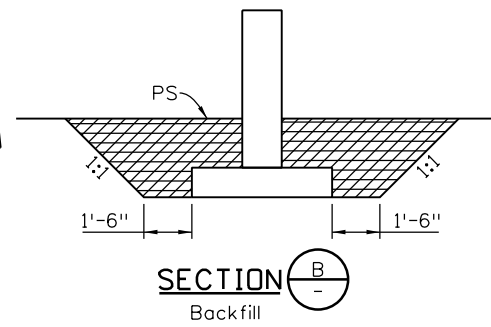
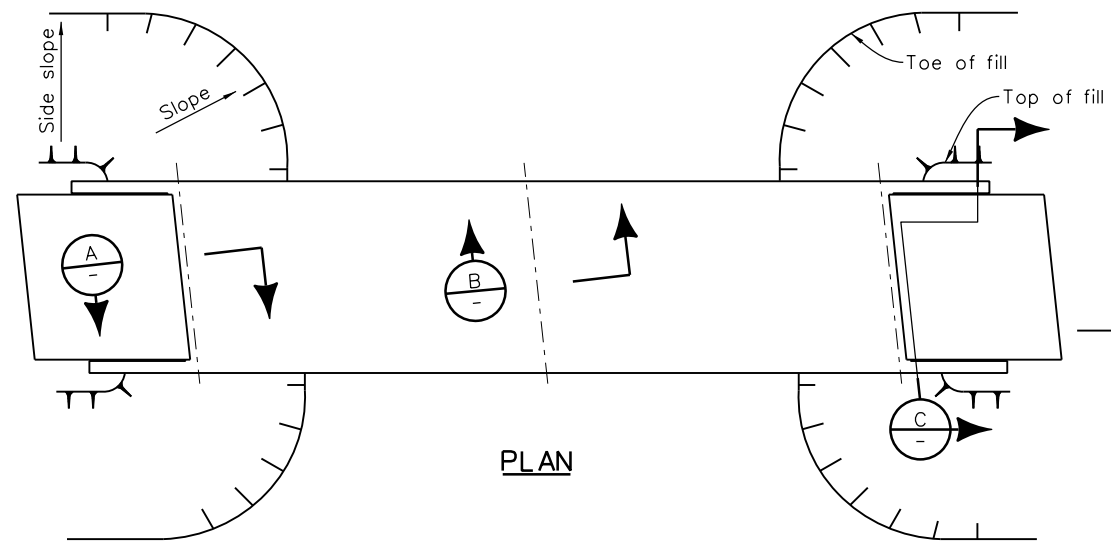
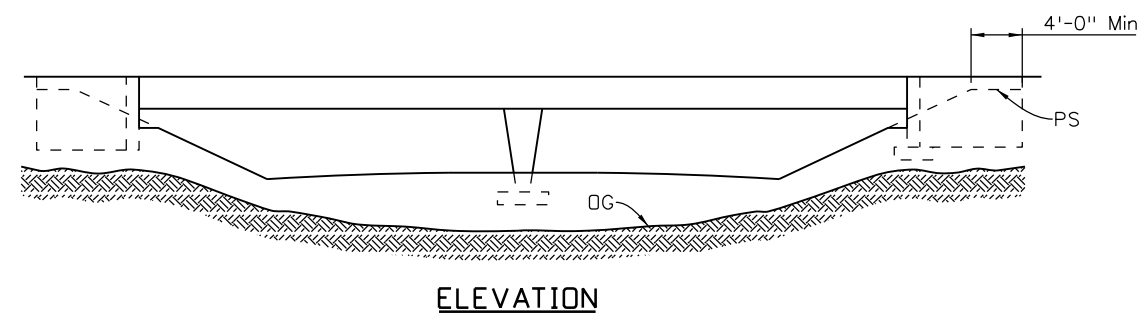


Revision Dates
4/02
9/02
3/07
7/10
10/13
3/23
11/23
9/24

INITIALS	DESIGN	DATE	DETAIL	DATE	QUANTITY	DATE
By						
Checked By						



NOTES

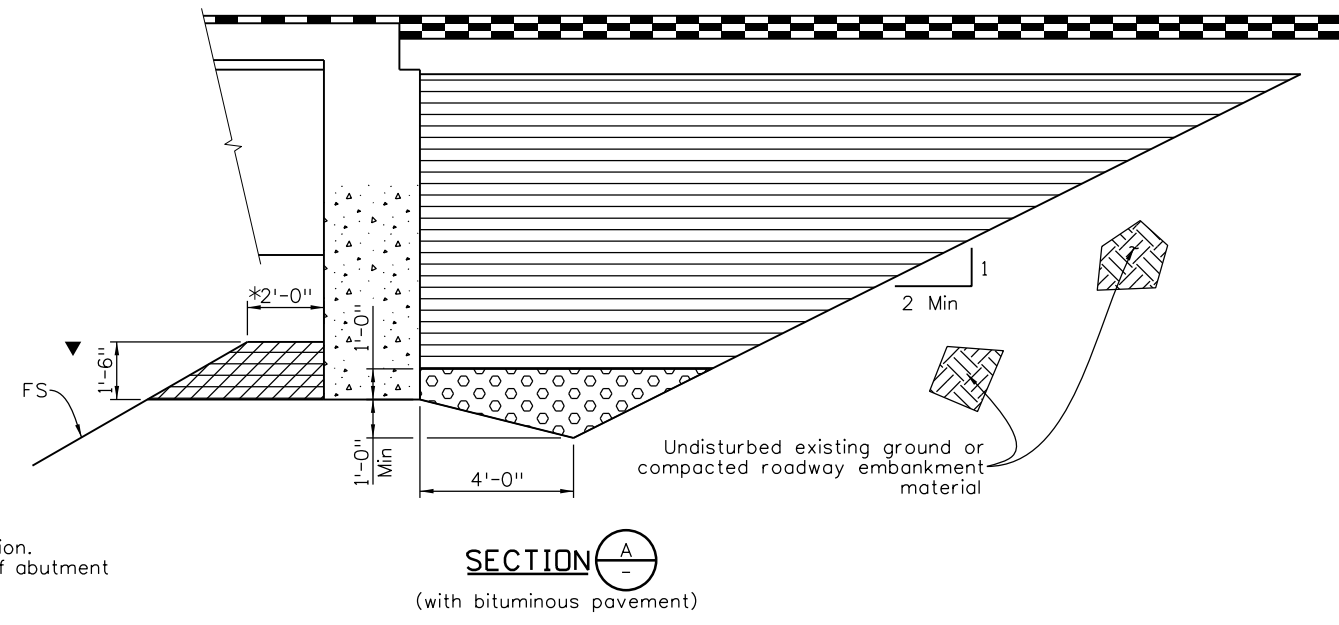
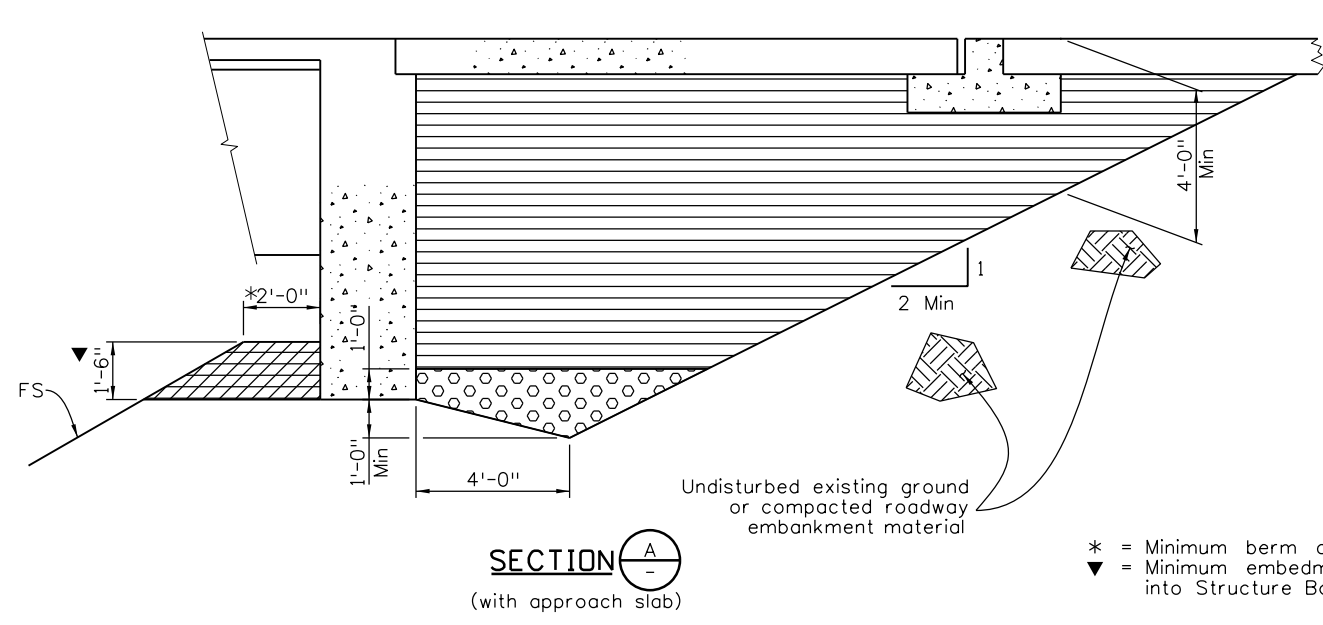
1. Unless shown otherwise in the plans, this drawing gives the minimum extent of Structure Backfill. The Contractor may elect to extend the Structure Backfill beyond the limits shown here. Any additional Backfill beyond these limits will not be measured nor paid for.
2. Structure footings which are located in rock shall be poured out to undisturbed rock, without forming, in conformance with 601.09.

LEGEND

- Structure Backfill (flow-fill), or Structure Backfill (Class 1) with Mechanical Reinforcement of Soil, as shown elsewhere in the Plans.
- Structure Backfill (Class 2)
- Filter Material

ABBREVIATIONS

- OG Original Ground
- PS Planned Subgrade
- FS Planned Finish Surface



- * = Minimum berm dimension.
- ▼ = Minimum embedment of abutment into Structure Backfill.

All seals for this set of drawings are applied to the cover page(s)	Print Date: \$DATE\$	Sheet Revisions			Colorado Department of Transportation			As Constructed		EXCAVATION AND BACKFILL FOR BRIDGES IN FILL			Project No./Code		
	File Name: Sheet_B-206-4.dgn	Date:	Comments	Init.	2829 West Howard Place, 3rd Floor Denver, CO 80204 Phone: 303-512-4079 FAX: 303-757-9197			No Revisions:		Designer: XXXXXXXX		Structure	X-XX-XX	Project Number	
	Horiz. Scale: As Noted Vert. Scale: As Noted							Revised:		Detailer: XXXXXXXX		Numbers	X-XX-XX	Code	
	Unit Information Unit Leader Initials							Void:		Sheet Subset: BRIDGE		Subset Sheets:	BXX of XXX	Sheet Number	
					Staff Bridge Branch			Initials							