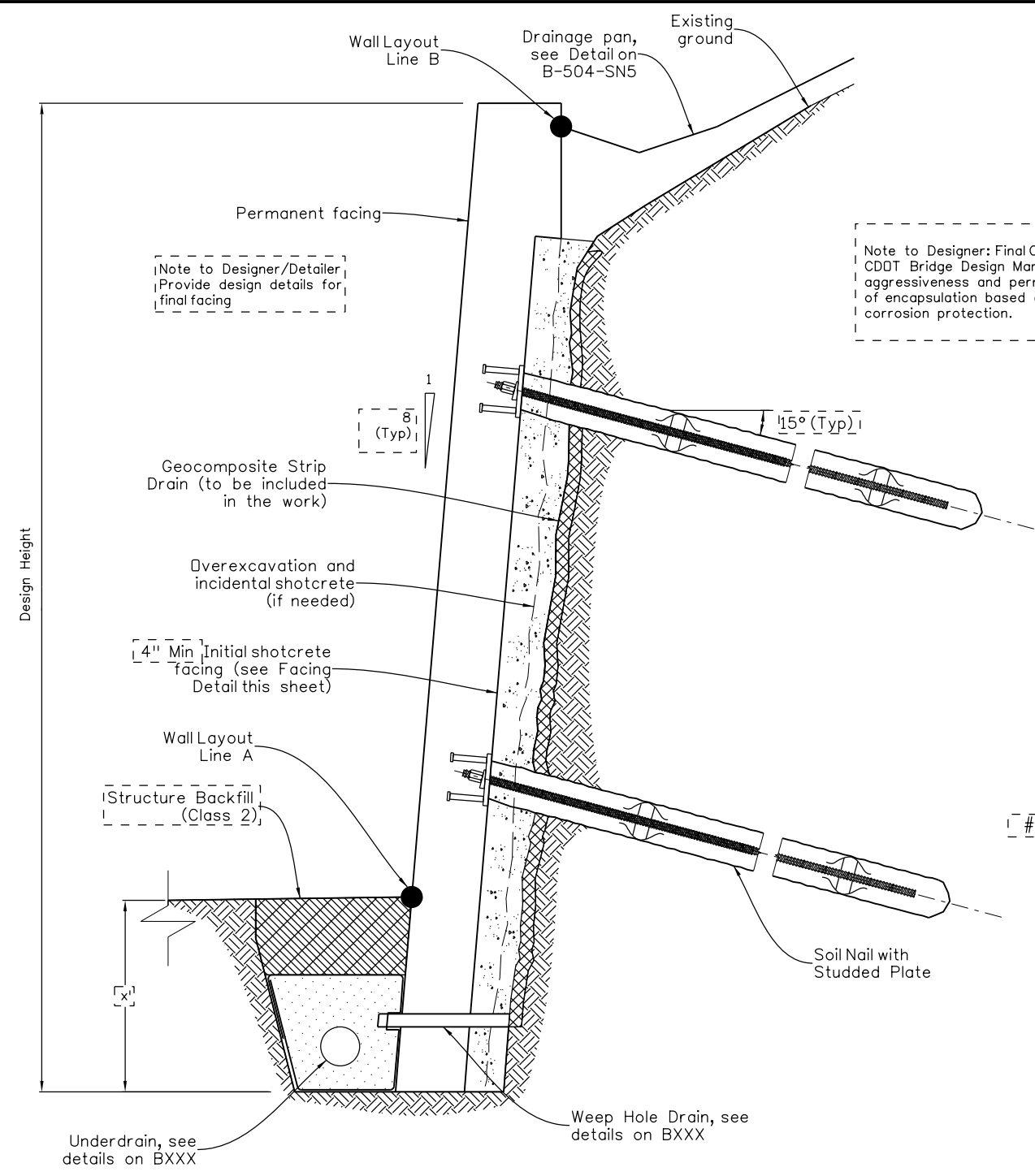


Revision Dates	(Preliminary Stage Only)
12/19	3/23

INITIALS	DESIGN	DATE	DETAIL	DATE	QUANTITY	DATE
By						
Checked By						

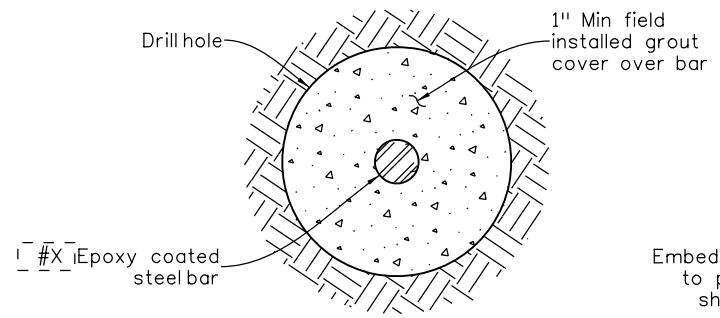


Note to Designer/Detailer
Provide design details for final facing

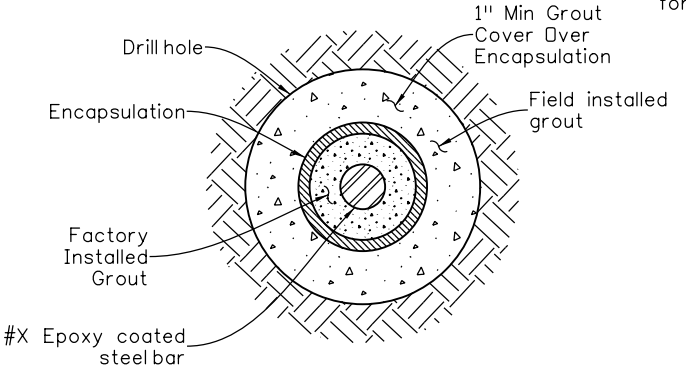
Note to Designer: Final Corrosion Protection of Soil Nails shall follow CDDT Bridge Design Manual and FHWA Soil Nail Manual, based on soil aggressiveness and permanency of wall. Designer shall select length of encapsulation based on corrosion evaluation and required level of corrosion protection.

SOIL NAIL WALL TYPICAL SECTION

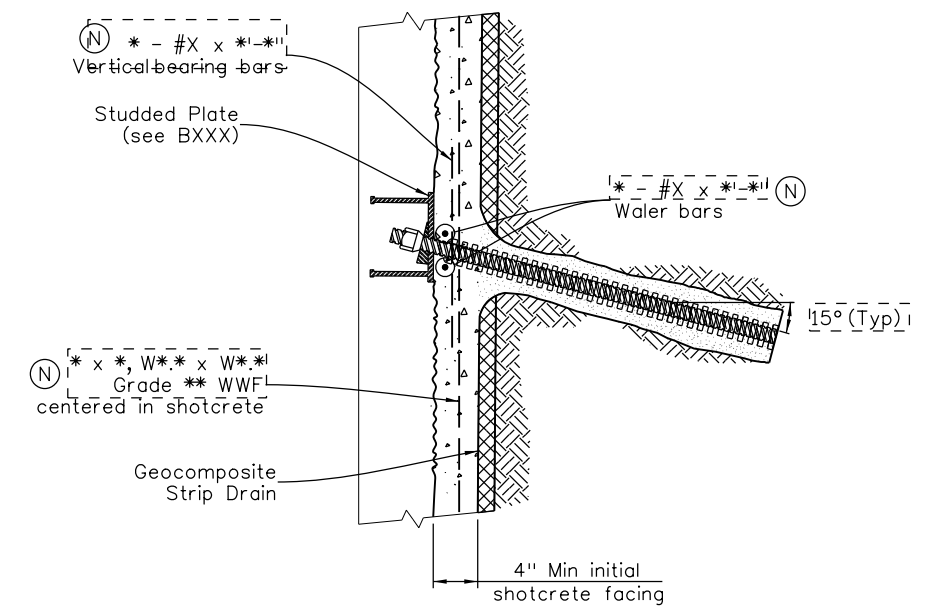
Note to Designer: Layout Line A may be preferable when roadway is located in front of wall. Layout B line may be preferable when roadway is located behind wall. Only one layout line is required.



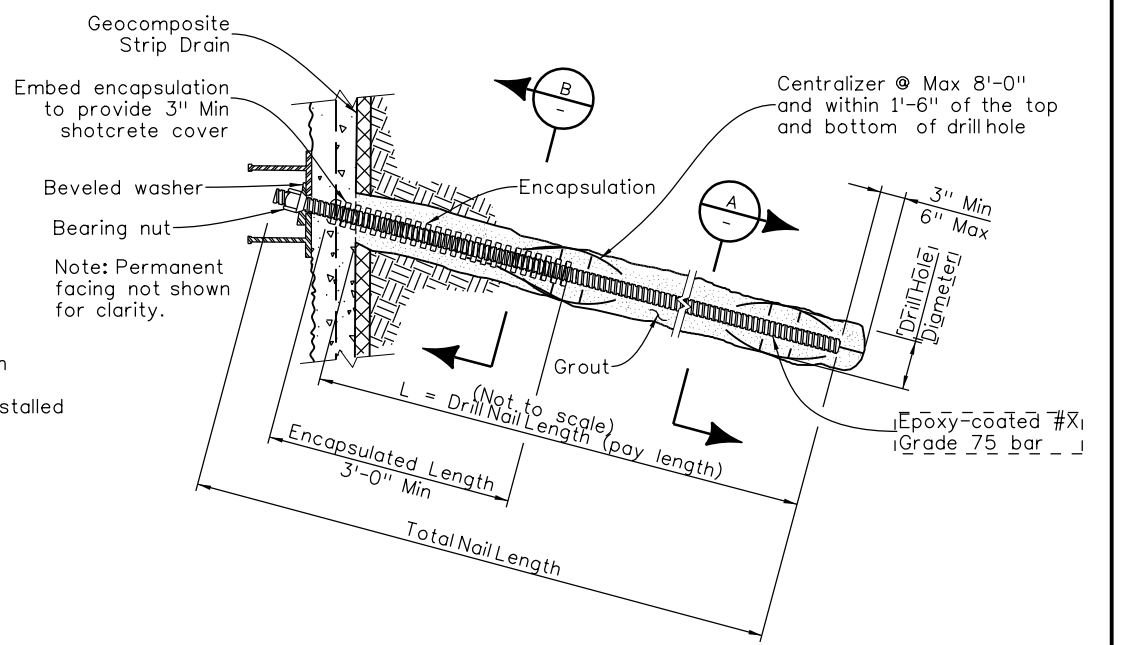
SOIL NAIL SECTION A



SOIL NAIL SECTION B



INITIAL SHOTCRETE FACING DETAIL



SOIL NAIL DETAILS (TYP.)

All seals for this set of drawings are applied to the cover page(s)	Print Date: \$DATE\$	Sheet Revisions			Colorado Department of Transportation		As Constructed		Project No./Code		
	File Name: Sheet_B-504-SN4.dgn	Date:	Comments	Init.	2829 West Howard Place, 3rd Floor Denver, CO 80204 Phone: 303-512-4079 FAX: 303-757-9197		No Revisions:		SOIL NAIL WALL DETAILS		Project Number
	Horiz. Scale: Not to Scale Vert. Scale: As Noted						Revised:		Designer: XXXXXXXX	Structure Numbers	X-XX-XX
Unit Information Unit Leader Initials				Void:			Detailer: XXXXXXXX	Sheet Subset: WALL	Subset Sheets: WXX of XXX	Sheet Number	

Staff Bridge Branch Initials