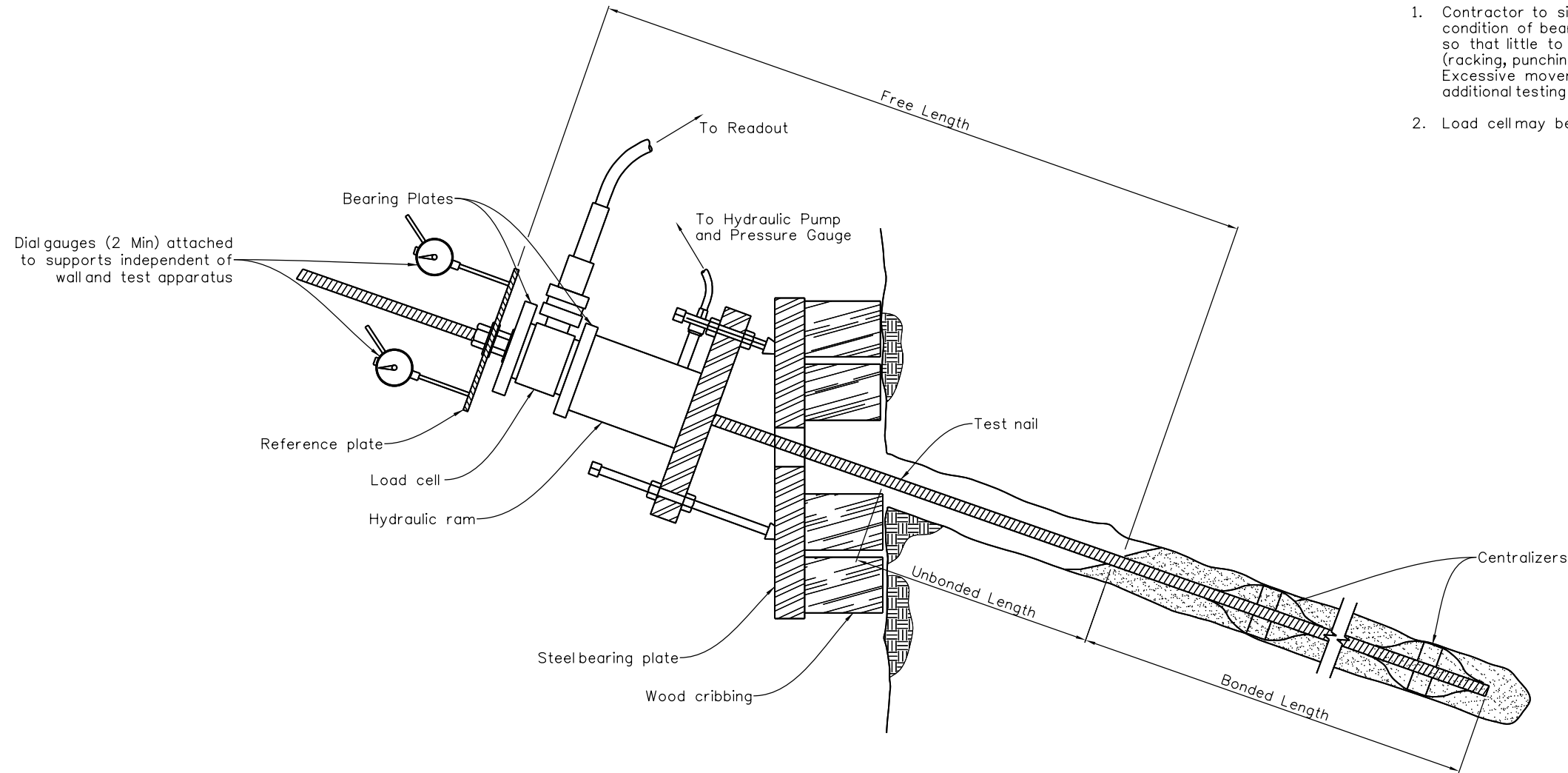


| | |
|----------------|--------------------------|
| Revision Dates | (Preliminary Stage Only) |
| 12/19 | 3/23 |

NOTES:

1. Contractor to size steelplate and cribbing based on condition of bearing materials and maximum test load, so that little to no movement of the test frame (racking, punching, sliding, twisting) occurs during the test. Excessive movement of the test frame will require additional testing at Contractor's expense.
2. Load cell may be omitted for proof tests.



TYPICAL SOIL NAIL TEST ASSEMBLY DETAIL

| | | | | | | |
|------------|--------|------|--------|------|----------|------|
| INITIALS | DESIGN | DATE | DETAIL | DATE | QUANTITY | DATE |
| By | | | | | | |
| Checked By | | | | | | |

| | | | | | | | | | | | | |
|---|--|------------------------|----------|-------|---|--------------------|-----------------------|---------------------------|--------------------------------|--------------|-------------------------|--|
| All seals for this set of drawings are applied to the cover page(s) | Print Date: \$DATE\$ | Sheet Revisions | | | Colorado Department of Transportation | | As Constructed | | SOIL NAIL TEST ASSEMBLY | | Project No./Code | |
| | File Name: Sheet_B-504-SN7.dgn | Date: | Comments | Init. |  2829 West Howard Place, 3rd Floor Denver, CO 80204 Phone: 303-512-4079 FAX: 303-757-9197 | No Revisions: | | Project Number | | | | |
| | Horiz. Scale: Not to Scale Vert. Scale: As Noted | | | | | Revised: | Designer: XXXXXXXX | Structure Numbers | X-XX-XX | Code | | |
| | Unit Information | Unit Leader Initials | | | | Void: | Detailer: XXXXXXXX | Subset Sheets: WXX of XXX | | Sheet Number | | |
| | | | | | | Sheet Subset: WALL | | | | | | |

Staff Bridge Branch

Initials