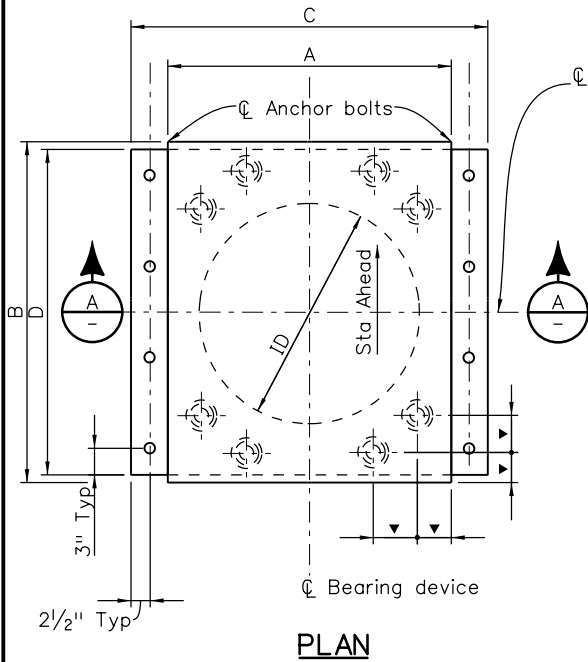
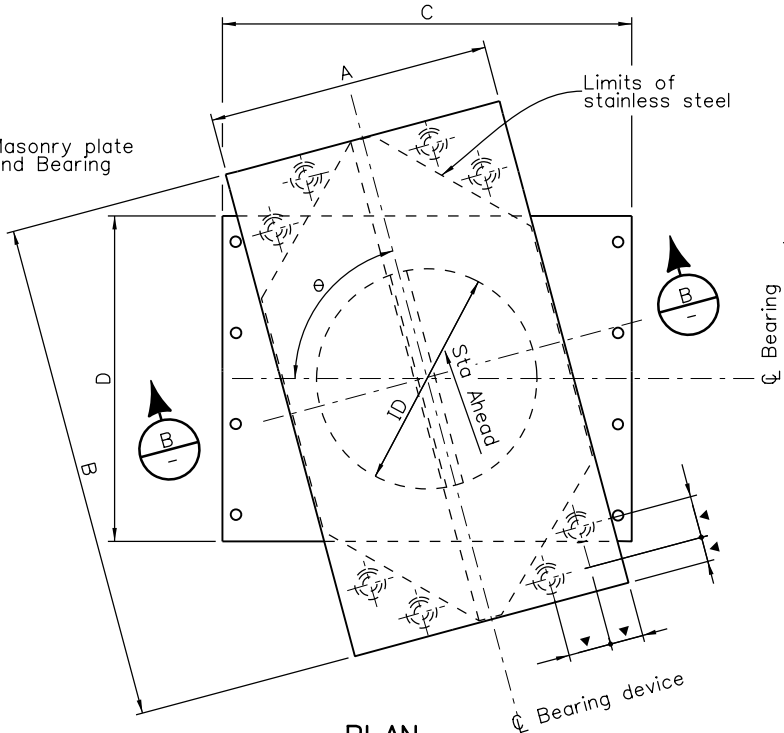


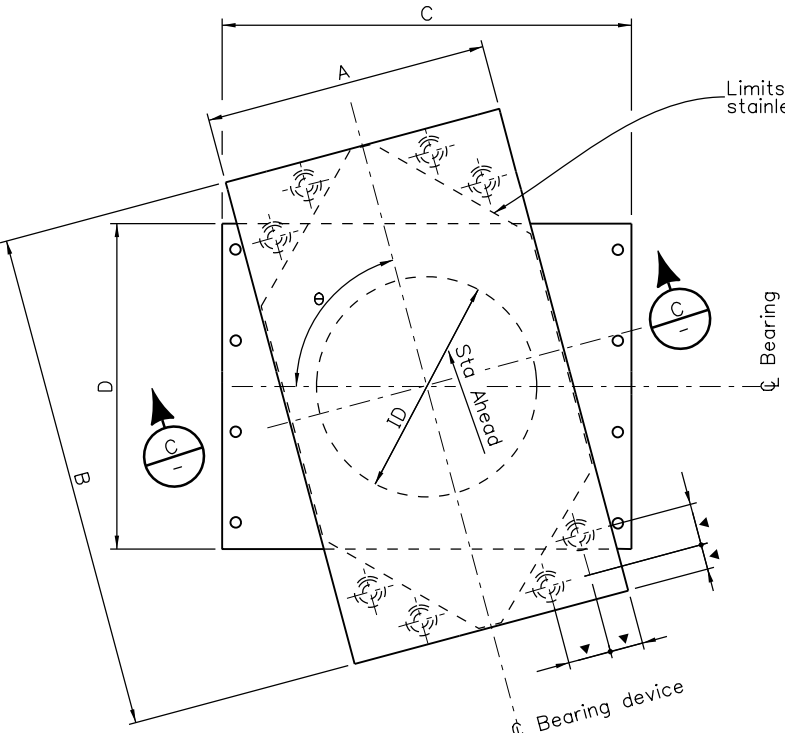
Revision Dates	(Preliminary Stage Only)	3/23
9/93	8/94	3/99
11/99	4/02	3/07
10/13		



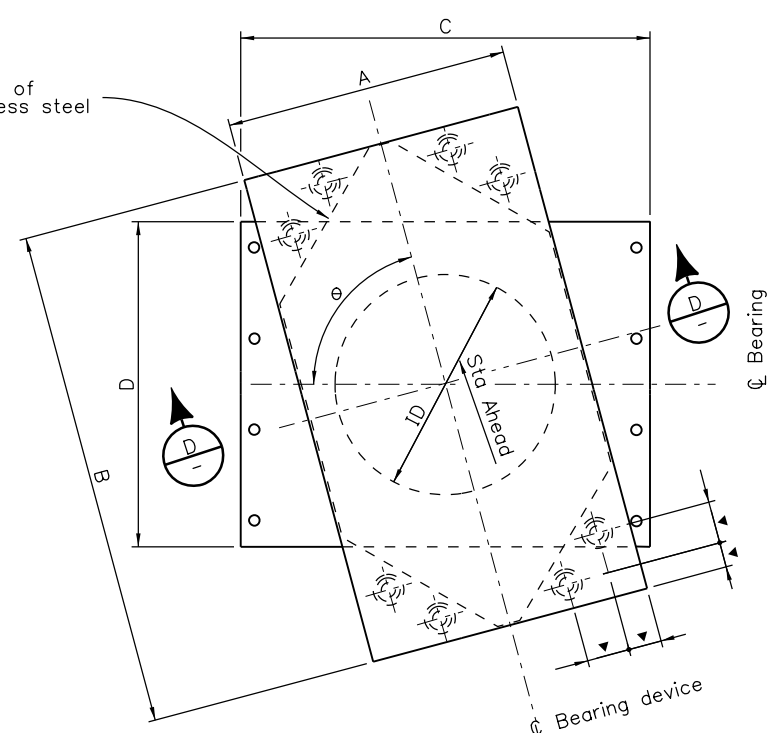
PLAN



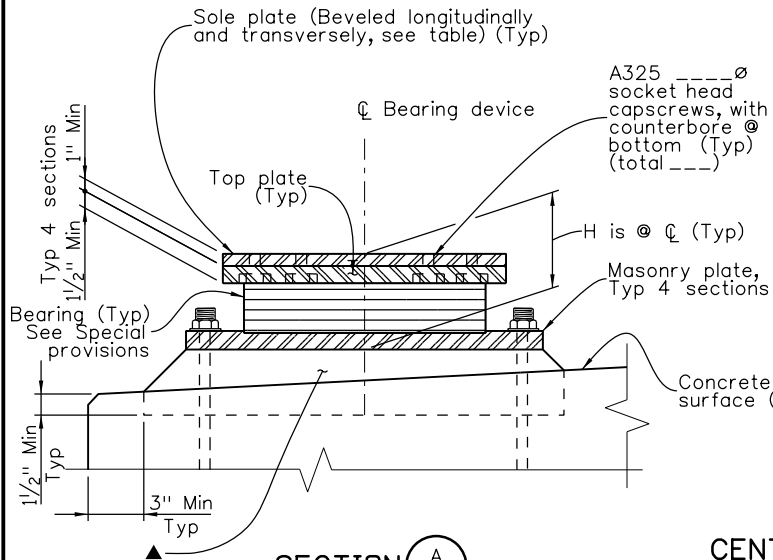
PLAN



PLAN

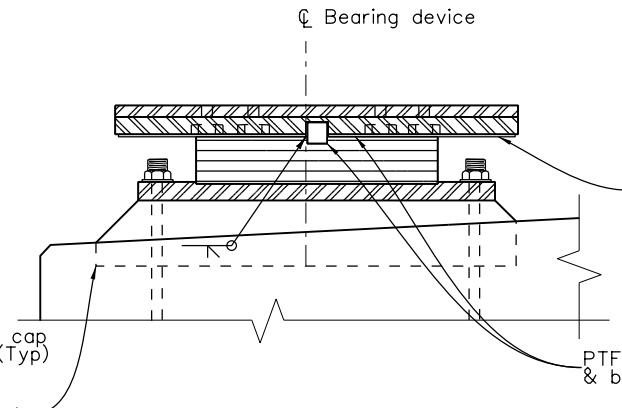


PLAN



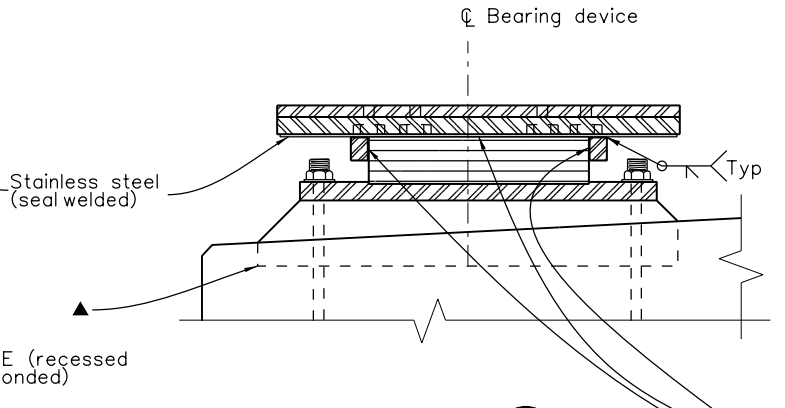
SECTION A-A

FIXED BEARING



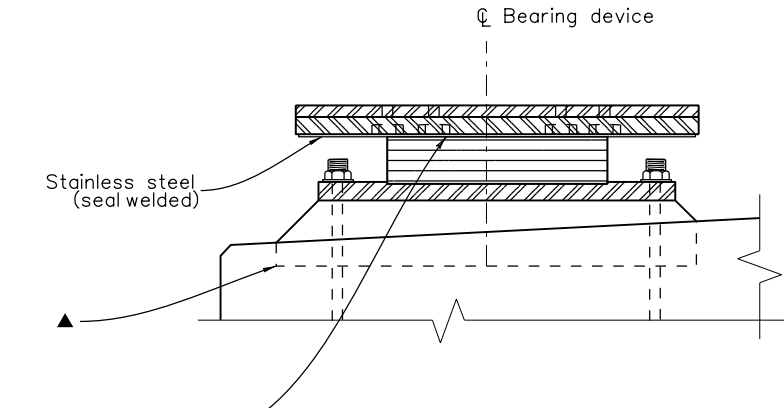
SECTION B-B

CENTER GUIDED EXPANSION BEARING
(See Fixed Brg for Typ dimensions)



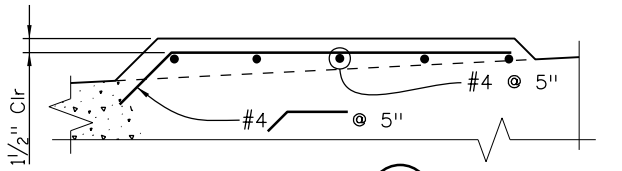
SECTION C-C

SIDE BAR GUIDED EXPANSION BEARING
(See Fixed Brg for Typ dimensions)



SECTION D-D

NON-GUIDED EXPANSION BEARING
(See Fixed Brg for Typ dimensions)



DETAIL 1

▲ Use non-shrink approved grout in formed cavity or see Detail "1" for alternate built-up monolithic cap seat.

INITIALS	DESIGN	DATE	DETAIL	DATE	QUANTITY	DATE
By						
Checked By						

All seals for this set of drawings are applied to the cover page(s)

Print Date: \$DATE\$
File Name: Sheet_B-512-3A.dgn
Horiz. Scale: Not to Scale Vert. Scale: As Noted
Unit Information Unit Leader Initials

Sheet Revisions		
Date:	Comments	Init.

Colorado Department of Transportation

2829 West Howard Place, 3rd Floor
Denver, CO 80204
Phone: 303-512-4079
FAX: 303-757-9197

Staff Bridge Branch

Initials

As Constructed
No Revisions:
Revised:
Void:

BEARING DEVICE (TYPE III)			
Designer:	XXXXXXXX	Structure Numbers	X-XX-XX
Detailer:	XXXXXXXX	Structure Numbers	X-XX-XX
Sheet Subset:	BRIDGE	Subset Sheets:	BXX of XXX

Project No./Code
Project Number
Code
Sheet Number