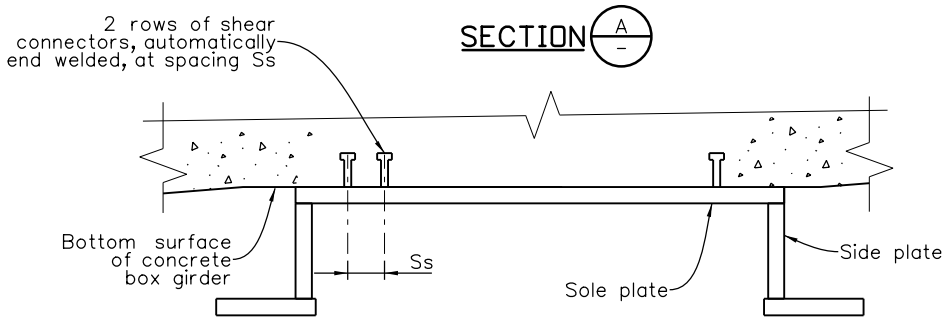
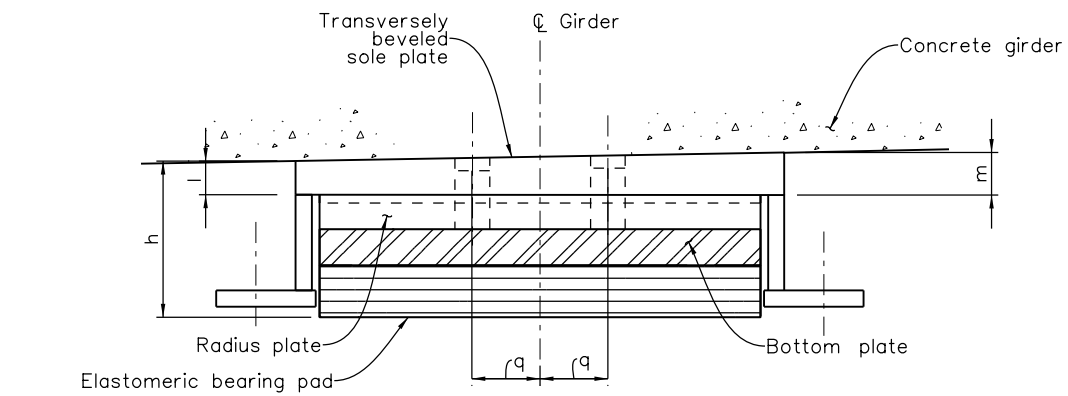
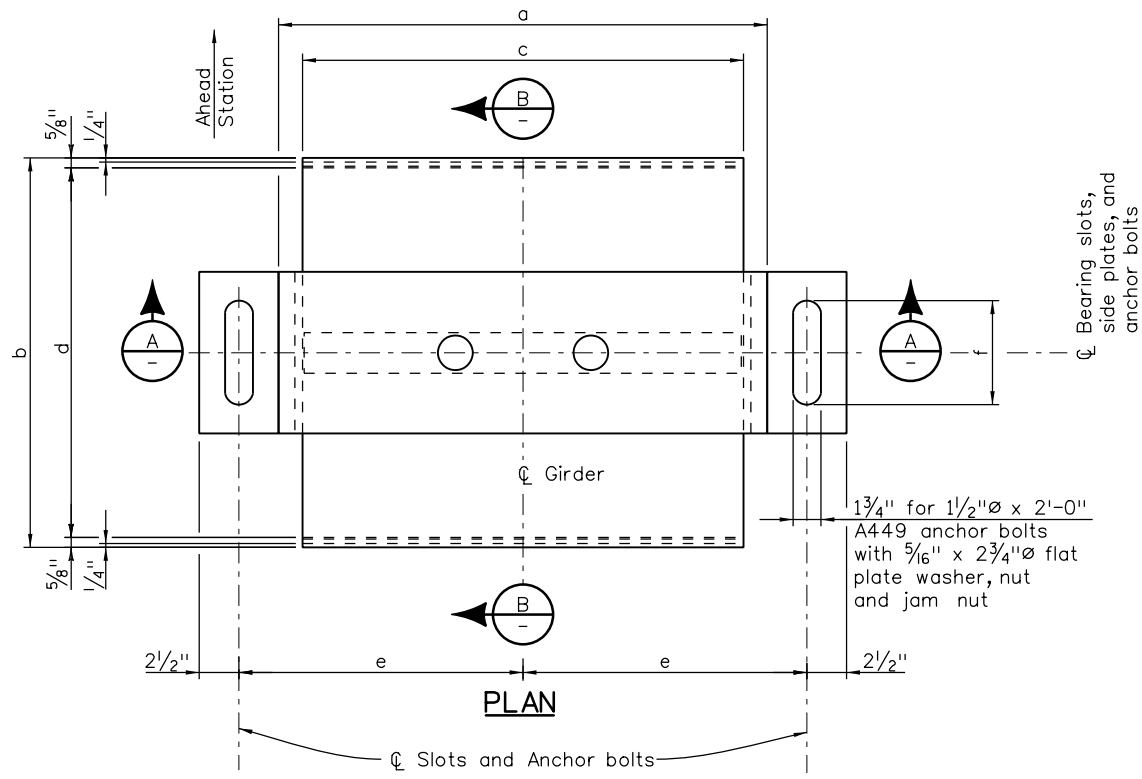
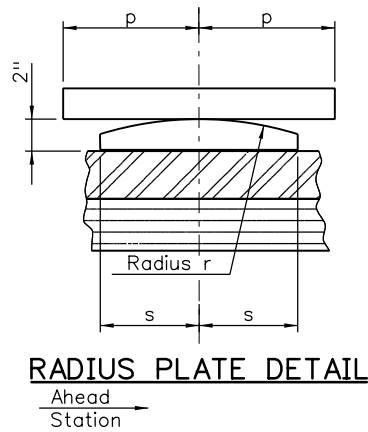


Revision Dates (Preliminary Stage Only)	3/23
10/13	
3/07	
4/02	
11/99	
3/99	
4/93	
8/92	

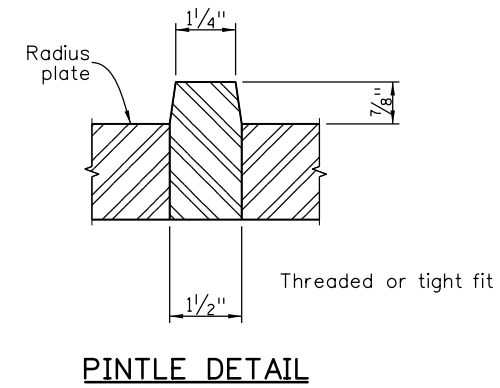
INITIALS	DESIGN	DATE	DETAIL	DATE	QUANTITY	DATE
By						
Checked By						



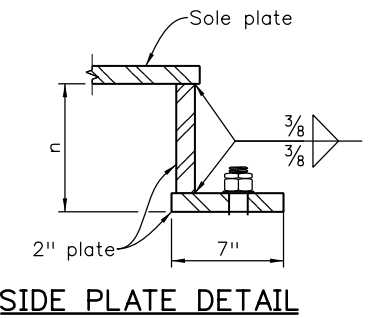
SECTION TOP PLATE TO GIRDER CONNECTION (CONCRETE GIRDER)



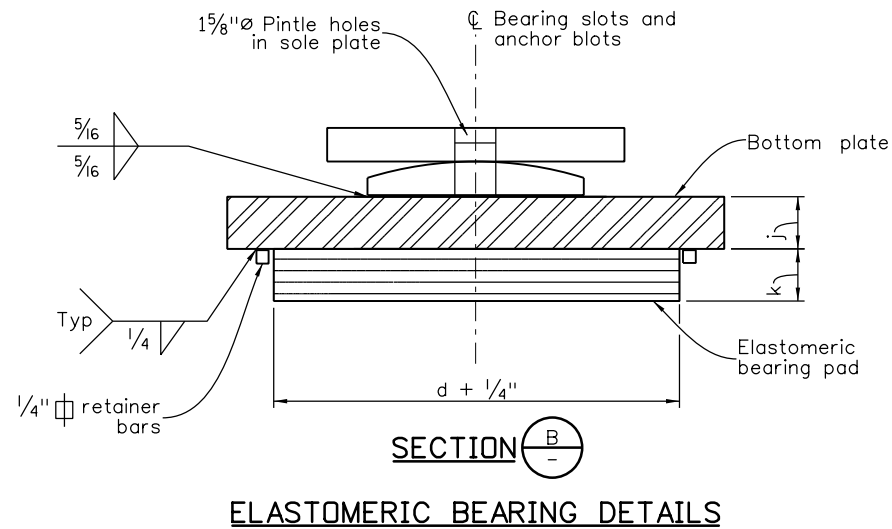
RADIUS PLATE DETAIL



PINTLE DETAIL



SIDE PLATE DETAIL



ELASTOMERIC BEARING DETAILS

NOTES:

1. At fixed bearings, anchor bolt nuts shall be snugged and jammed with jam nuts. At expansion bearings, provide 1/4" clearance between nut and side plate under all temperature conditions prior to jamming.
2. Do not paint steel surfaces in contact with elastomeric pad.
3. Elastomeric pad, sole plate, radius and bottom plate, side plates, pintle, shear studs, welding, anchor bolts, and hardware shall be included in the bid price for Item 512, Bearing Device (Type IV).
4. Grade 3 elastomer shall be used. Higher grade elastomer may be substituted for grade 3 at no additional cost to the project.
5. Design shear modulus G = _____ psi at 73°F.
6. Hardness = _____ Duro (Shore A).
7. AASHTO design method _____ has been used.

Location	No Req'd	Factored Service Load Per Brg (Kip)	Factored Vertical Load Per Brg (Kip)	Top Connections Concrete Anchor Studs			Dimensions (Inches)																							
				Length	No	Ss (In)	Ø (In)	a	b	c	d	e	f	h	j	k	l	m	n	p	q	r	s							

All seals for this set of drawings are applied to the cover page(s)

Print Date: \$DATE\$
 File Name: Sheet_B-512-4C.dgn
 Horiz. Scale: Not to Scale Vert. Scale: As Noted
 Unit Information Unit Leader Initials

Sheet Revisions		
Date:	Comments	Init.

Colorado Department of Transportation

2829 West Howard Place, 3rd Floor
 Denver, CO 80204
 Phone: 303-512-4079
 FAX: 303-757-9197

Staff Bridge Branch Initials

As Constructed	
No Revisions:	
Revised:	
Void:	

BEARING DEVICE (TYPE IV) CONCRETE GIRDER			
Designer:	XXXXXXXX	Structure Numbers	X-XX-XX
Detailer:	XXXXXXXX	Subset Sheets:	BXX of XXX
Sheet Subset:	BRIDGE		

Project No./Code	
Project Number	
Code	
Sheet Number	