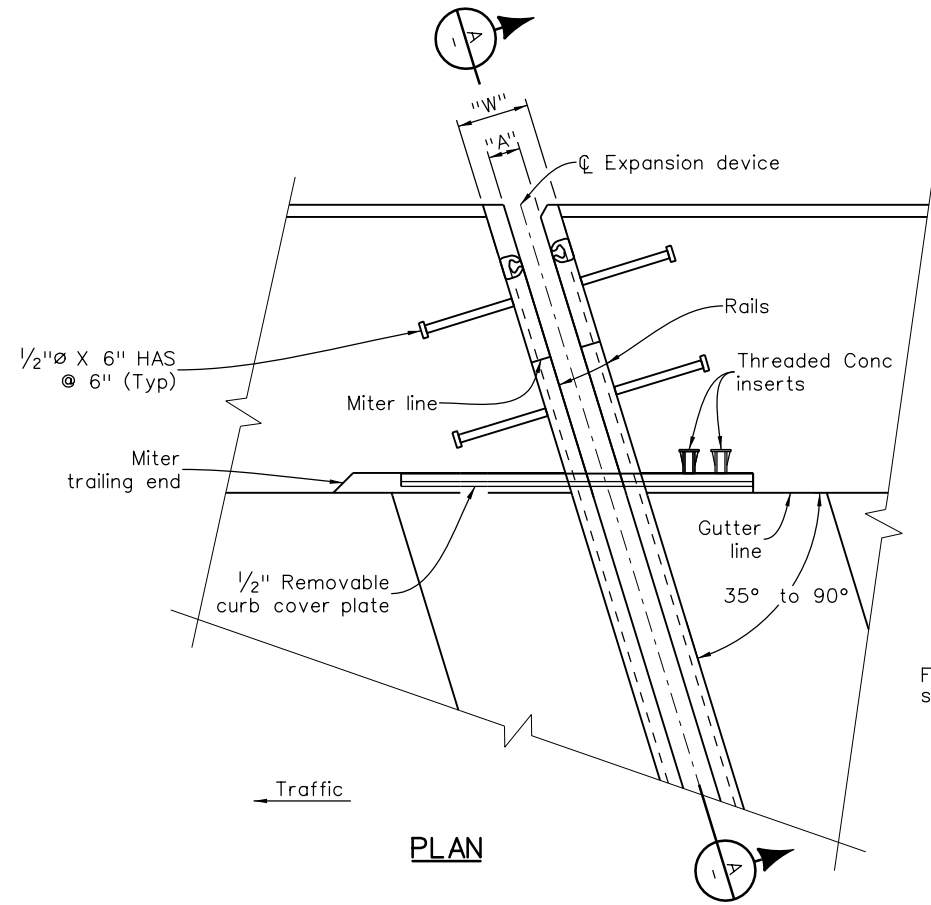
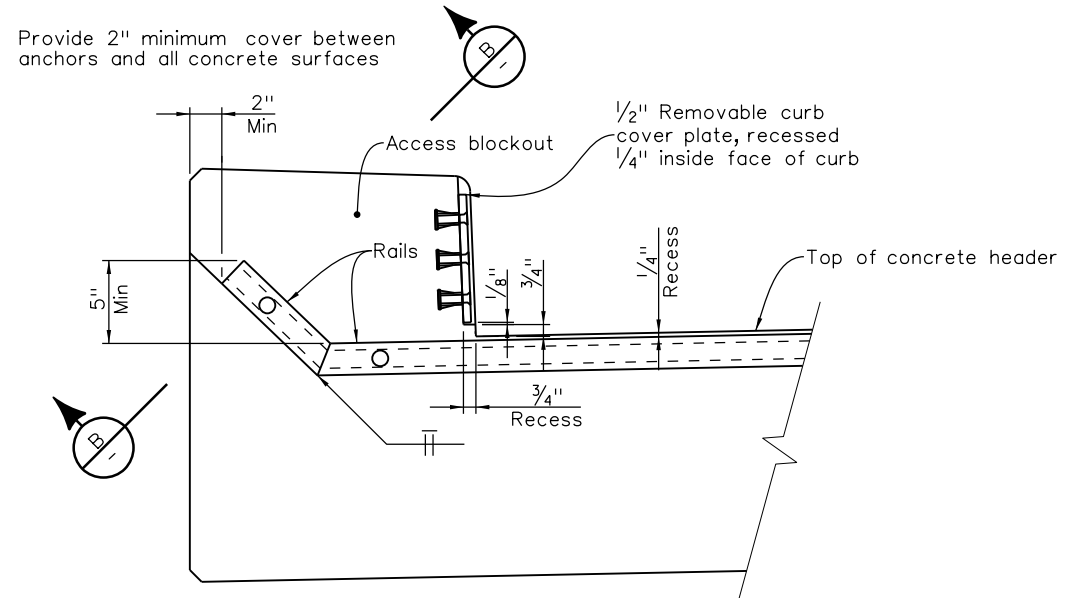


Revision Dates	(Preliminary Stage Only)				
3/99	11/99	5/01	4/02	3/07	5/13
					10/13
					3/23

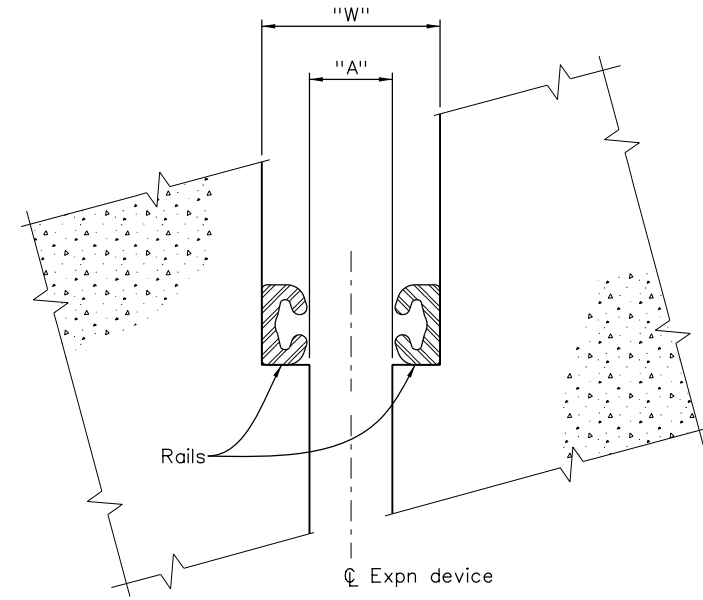
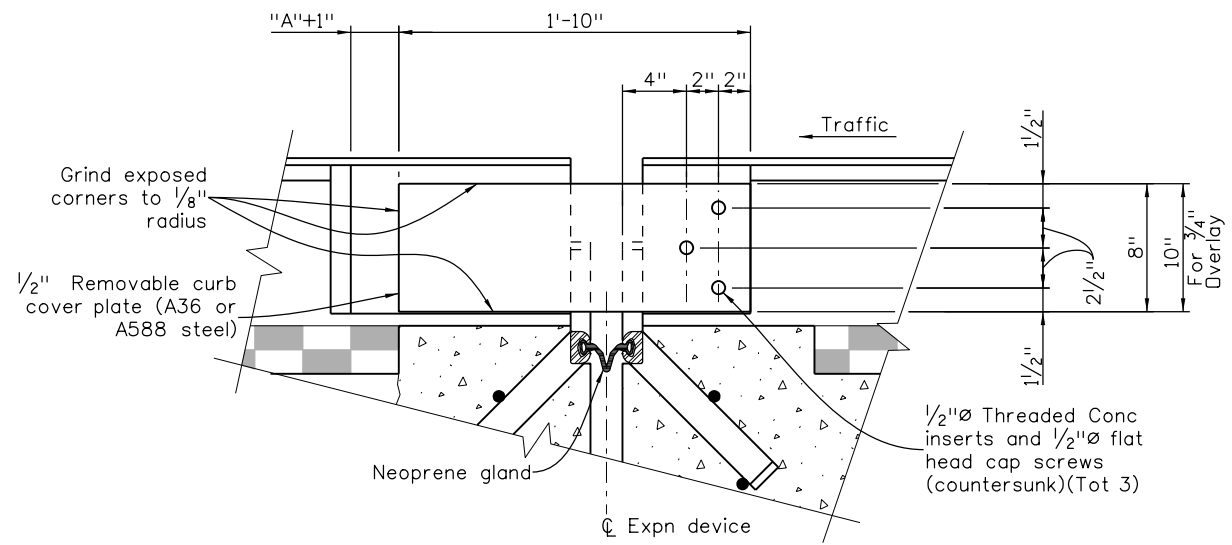
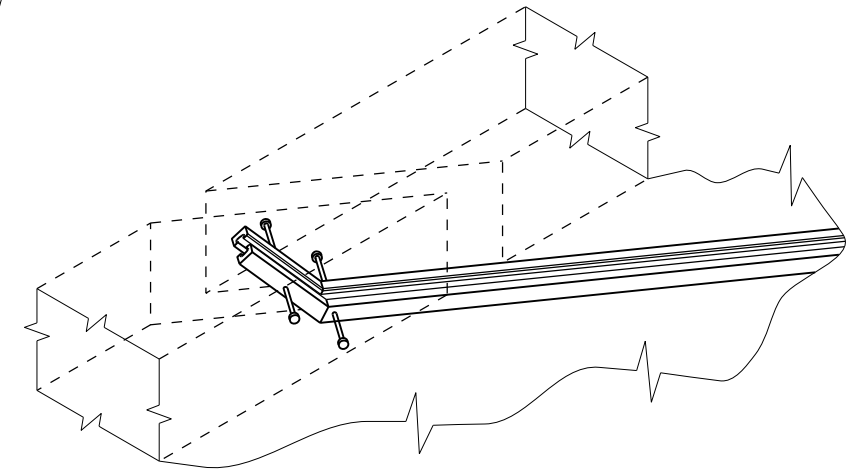
INITIALS	DESIGN	DATE	DETAIL	DATE	QUANTITY	DATE
By						
Checked By						



For actual skew direction, see Bridge Plans



NOTE: Anchors not shown for clarity. See Bridge Typical Section for utilities.



All seals for this set of drawings are applied to the cover page(s)

Print Date: \$DATE\$
File Name: Sheet_B-518-1A.dgn
Horiz. Scale: Not to Scale Vert. Scale: As Noted
Unit Information Unit Leader Initials

Sheet Revisions		
Date:	Comments	Init.

Colorado Department of Transportation

2829 West Howard Place, 3rd Floor
Denver, CO 80204
Phone: 303-512-4079
FAX: 303-757-9197

Staff Bridge Branch

Initials

As Constructed
No Revisions:
Revised:
Void:

BRIDGE EXPANSION DEVICE (0-4 INCH) OVER CURB			
Designer: XXXXXXXX	Structure Numbers	X-XX-XX	Code
Detailer: XXXXXXXX	Structure Numbers	X-XX-XX	
Sheet Subset: BRIDGE	Subset Sheets: BXX of XXX	Sheet Number	

Project No./Code
Project Number
Code
Sheet Number