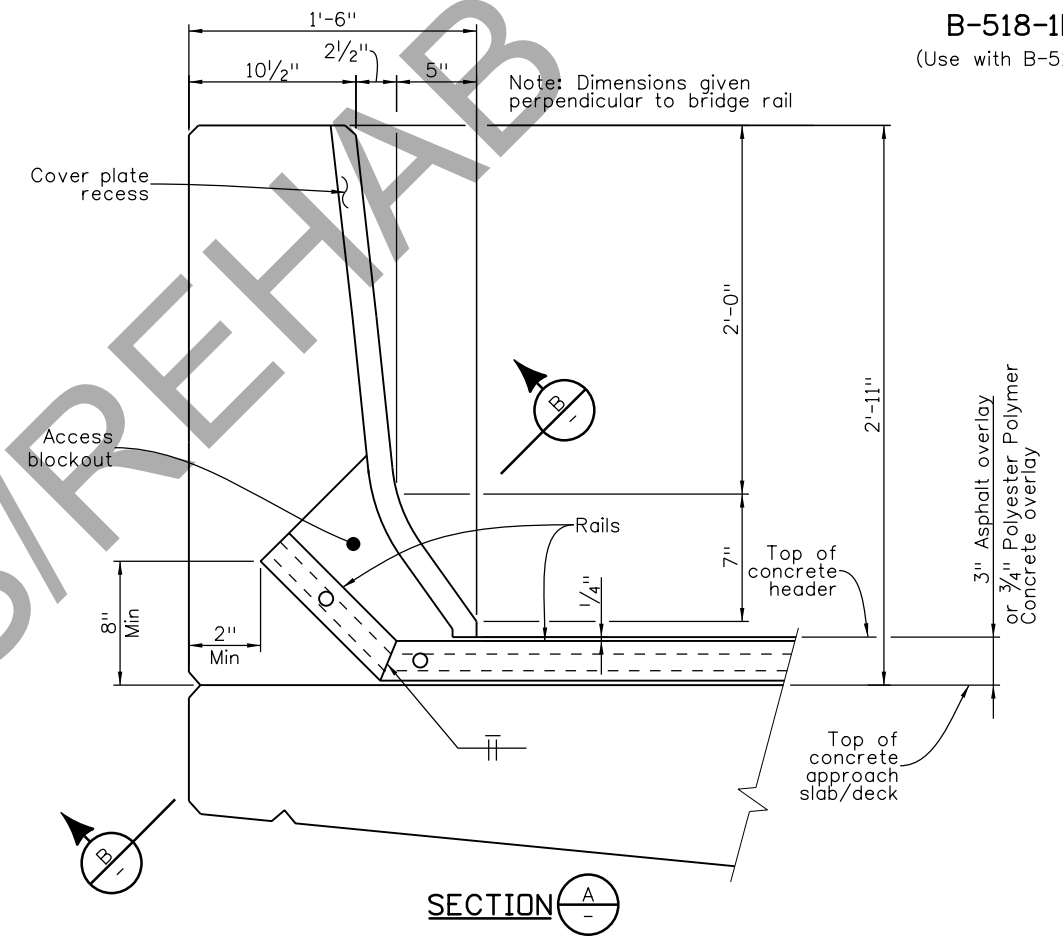
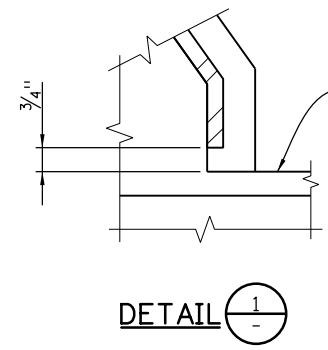
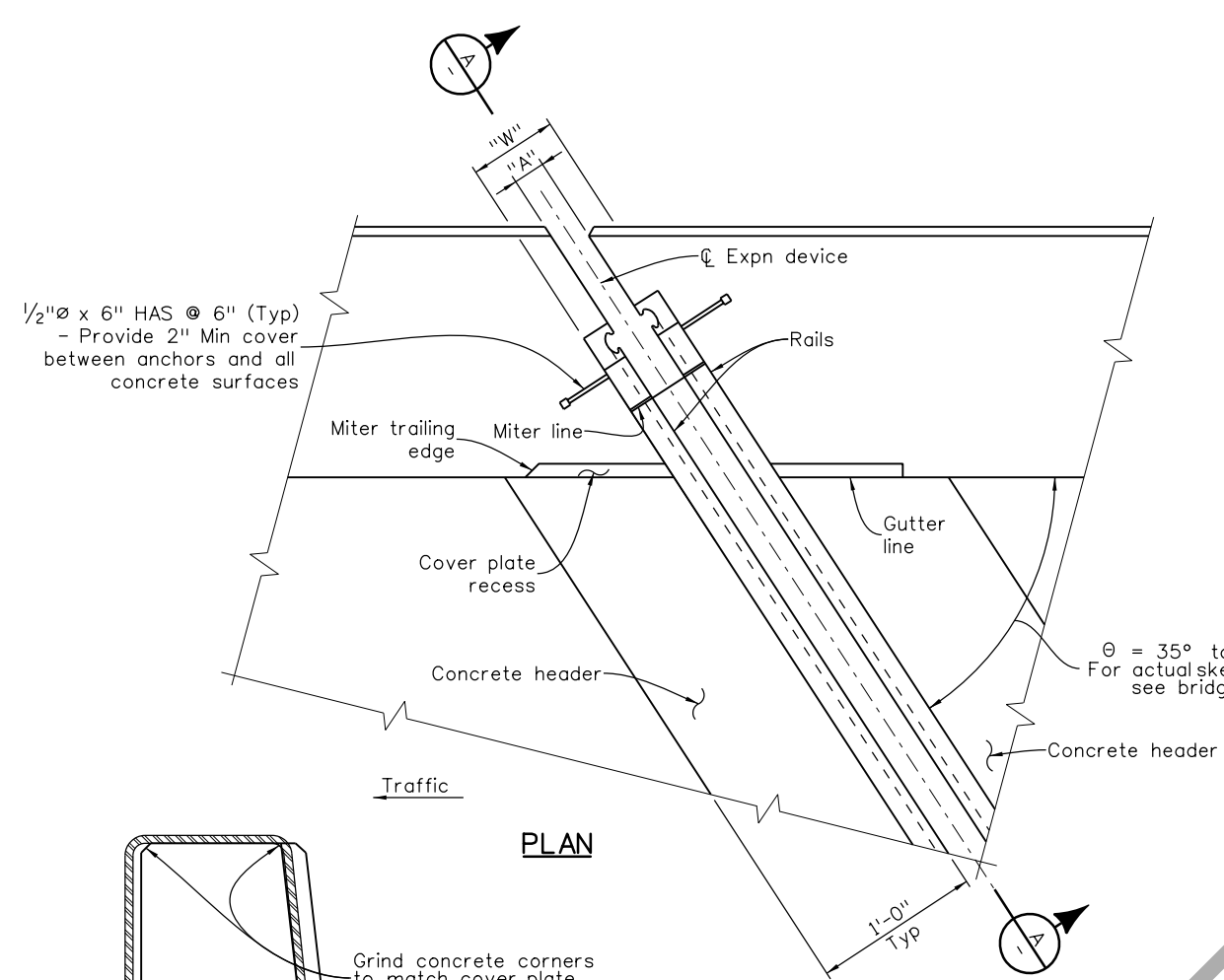
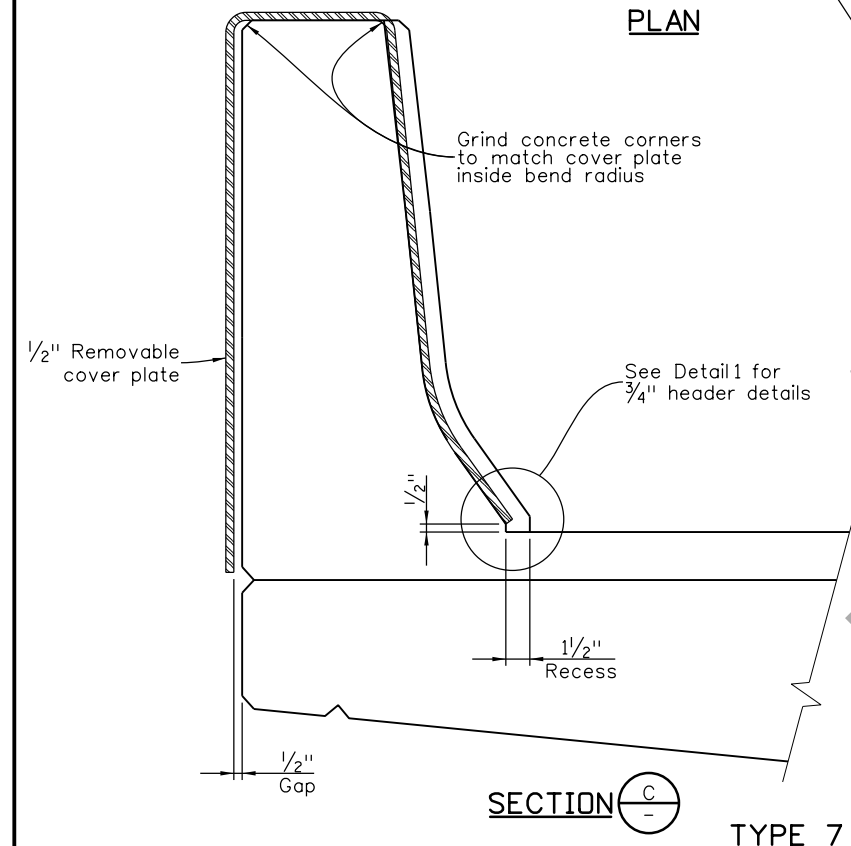


Revision Dates	(Preliminary Stage Only)
11/99	5/01
4/02	6/04
3/07	5/13
8/18	3/23

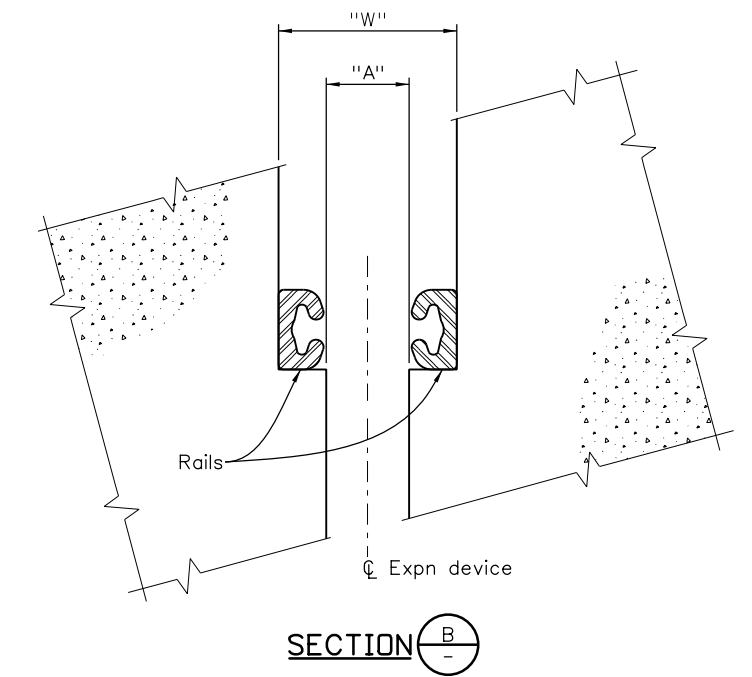
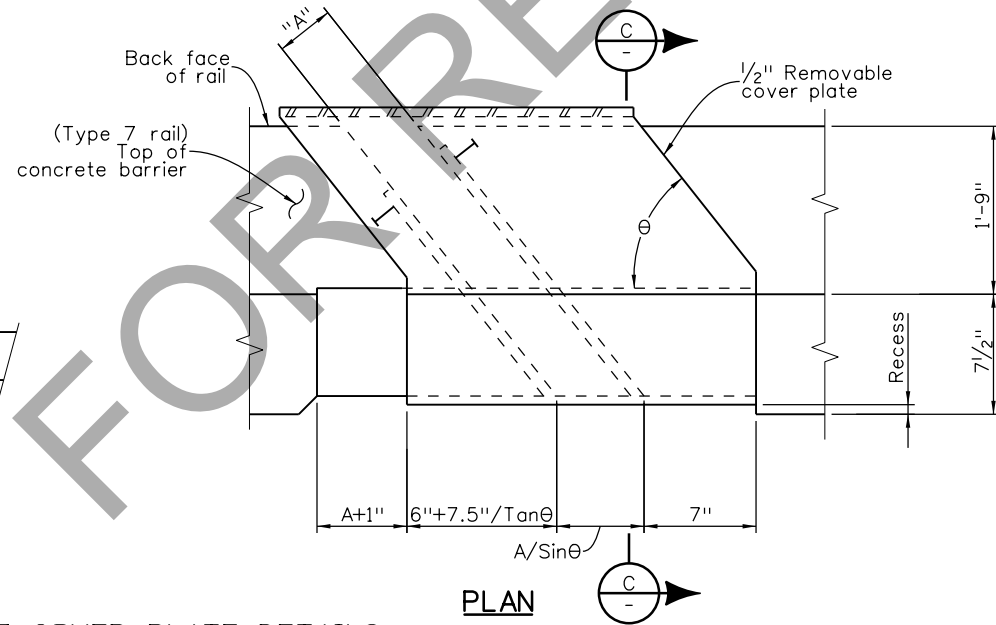
INITIALS	DESIGN	DATE	DETAIL	DATE	QUANTITY	DATE
By						
Checked By						



TYPE 7 RAIL DETAILS  
(Cover plate not shown for clarity)



TYPE 7 COVER PLATE DETAILS  
(Galvanize after fabrication)



All seals for this set of drawings are applied to the cover page(s)	Print Date: \$DATE\$	<b>Sheet Revisions</b>		Colorado Department of Transportation		As Constructed		BRIDGE EXPANSION DEVICE (0-4INCH) OVER TYPE 7 RAIL		Project No./Code	
	File Name: Sheet_B-518-1B.dgn	Date:	Comments	Init.	2829 West Howard Place, 3rd Floor Denver, CO 80204 Phone: 303-512-4079 FAX: 303-757-9197	No Revisions:		Designer: XXXXXXXX Structure X-XX-XX		Project Number	
Horiz. Scale: Not to Scale Vert. Scale: As Noted	Unit Information	Unit Leader Initials				<b>Staff Bridge Branch</b>	Revised:		Detailer: XXXXXXXX Structure Numbers X-XX-XX		Code
					<b>Initials</b>		Void:		Sheet Subset: BRIDGE Subset Sheets: BXX of XXX		Sheet Number