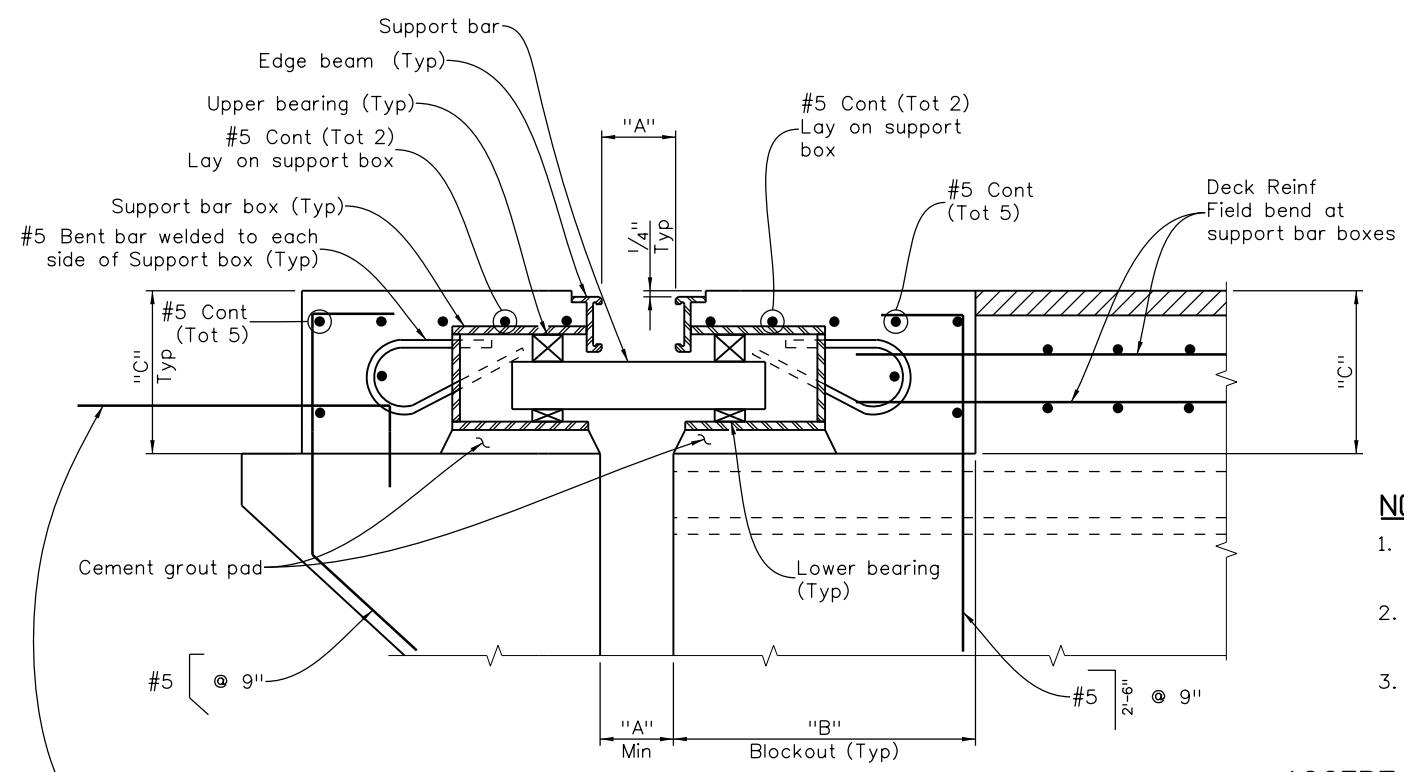


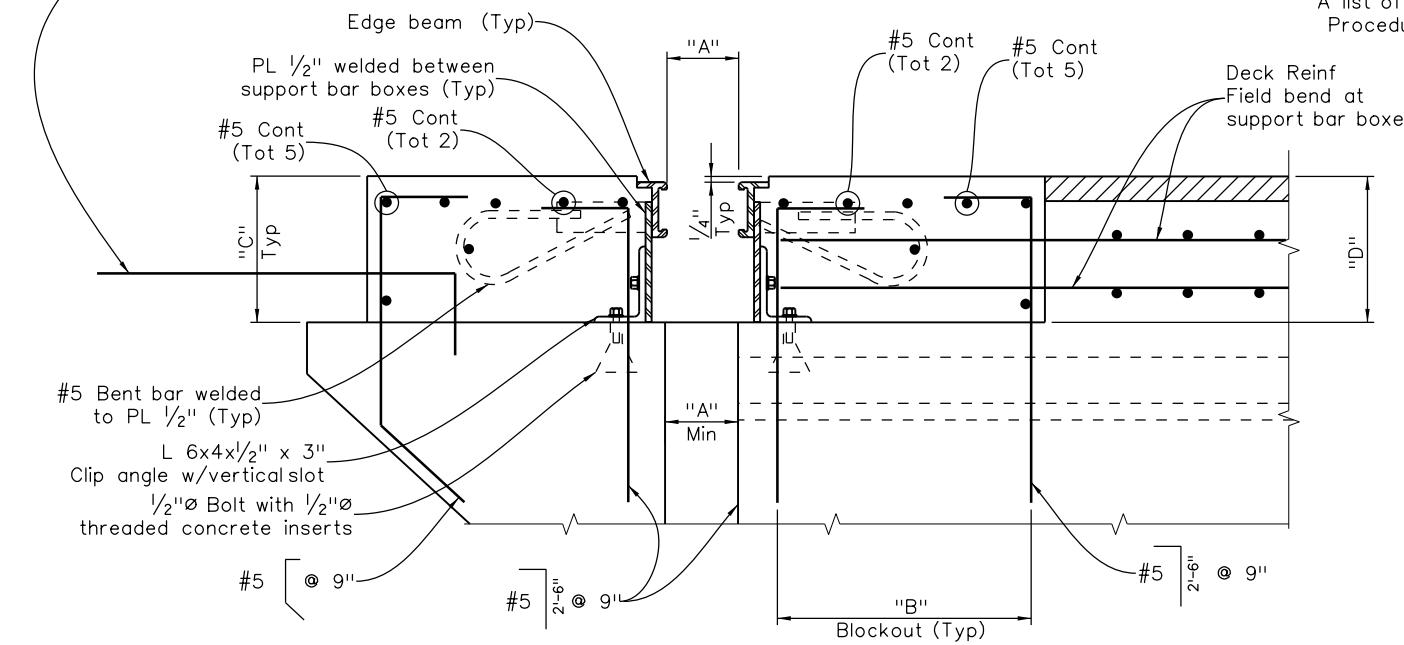
Revision Dates	(Preliminary Stage Only)
8/96	3/99
3/99	11/99
3/99	5/00
4/02	3/07
5/13	5/13
3/23	3/23

INITIALS	DESIGN	DATE	DETAIL	DATE	QUANTITY	DATE
By						
Checked By						



SECTION B BXX

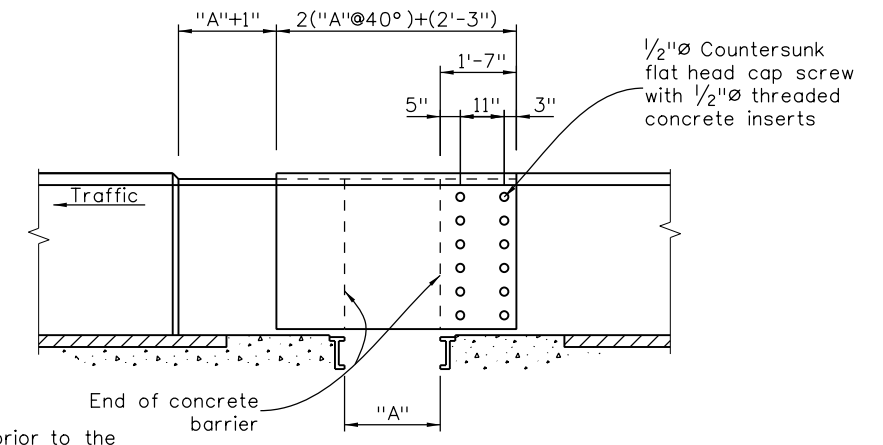
See Approach Slab Details for reinforcing (May need to hook at support boxes)



SECTION C BXX

Note: Materials sizes and connections are conceptual. Actual sizes to be provided by supplier's design in the shop drawings.

Note to designer:
Modular Expansion Devices are sized by both expansion capacity and support conditions.



ELEVATION
(Traffic face of bridge barrier)

NOTES:

- The expansion device shall be loosely in place prior to the placement of deck reinforcing and the deck pour.
- Recess joint armor and edge beams 1/4" below finished concrete as shown.
- All steel elements (whether grade A36 or A588) of the bridge expansion device, including cover plates, shall be hot dip galvanized after fabrication as per Section 509.11 of the Standard Specifications.

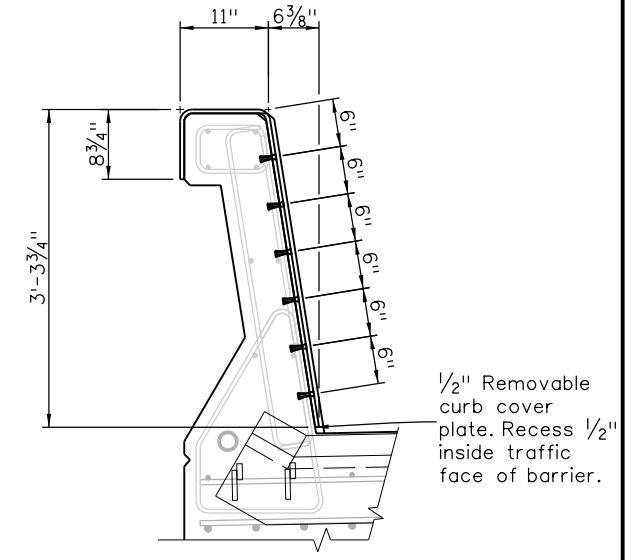
ACCEPTABLE EXPANSION DEVICE ALTERNATES

- Wabo modular expansion joint system
- Steefflex modular expansion joint system
- or approved equal.

A list of current Pre-Approved Lot numbers, Suppliers, and the Procedure to register new suppliers can be found on CDDT Approved Products List Web site at:

<http://apps.coloradodot.info/apl/AplSearch.cfm>

DIMENSIONS	LOCATION
"A" Structure Temp	
-30°	
30°	
40°	
50°	
60°	
70°	
80°	
90°	
100°	
DIMENSIONS	
"B"	
"C"	



TYPICAL SECTION

NOTE:

Fabricate cover plate after bridge rail installation using field measurements.

All seals for this set of drawings are applied to the cover page(s)	Print Date: \$DATE\$	Sheet Revisions			Colorado Department of Transportation		As Constructed		BRIDGE EXPANSION DEVICE (0-__ INCH) CONCRETE GIRDER		Project No./Code	
	File Name: Sheet_B-518-M1C.dgn	Date:	Comments	Init.	2829 West Howard Place, 3rd Floor Denver, CO 80204 Phone: 303-512-4079 FAX: 303-757-9197		No Revisions:		Designer: XXXXXXXX		Project Number	
	Horiz. Scale: Not to Scale Vert. Scale: As Noted				Staff Bridge Branch		Revised:		Detailer: XXXXXXXX		Code	
	Unit Information Unit Leader Initials				Initials		Void:		Sheet Subset: BRIDGE		Sheet Number	
									Structure Numbers: X-XX-XX			
									Subset Sheets: BXX of XXX			