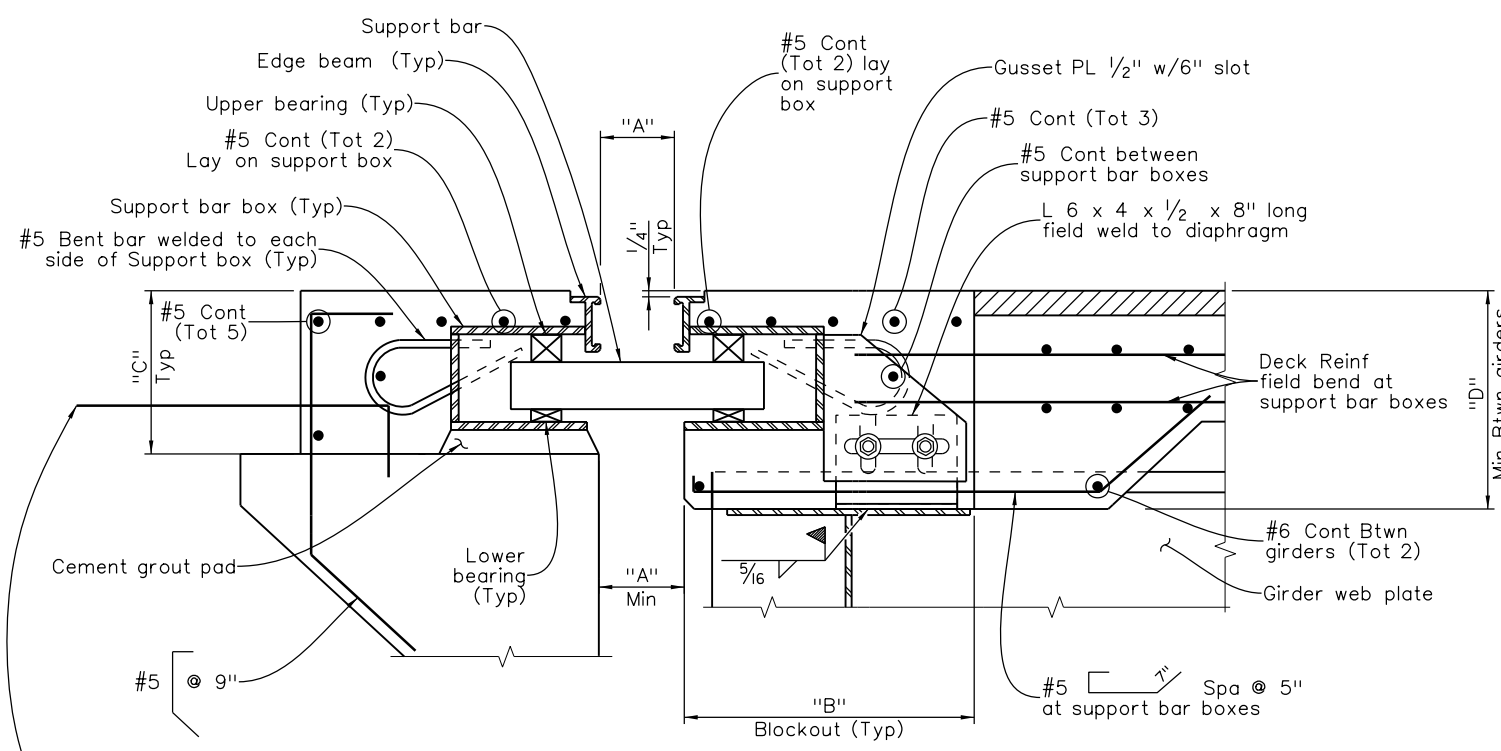
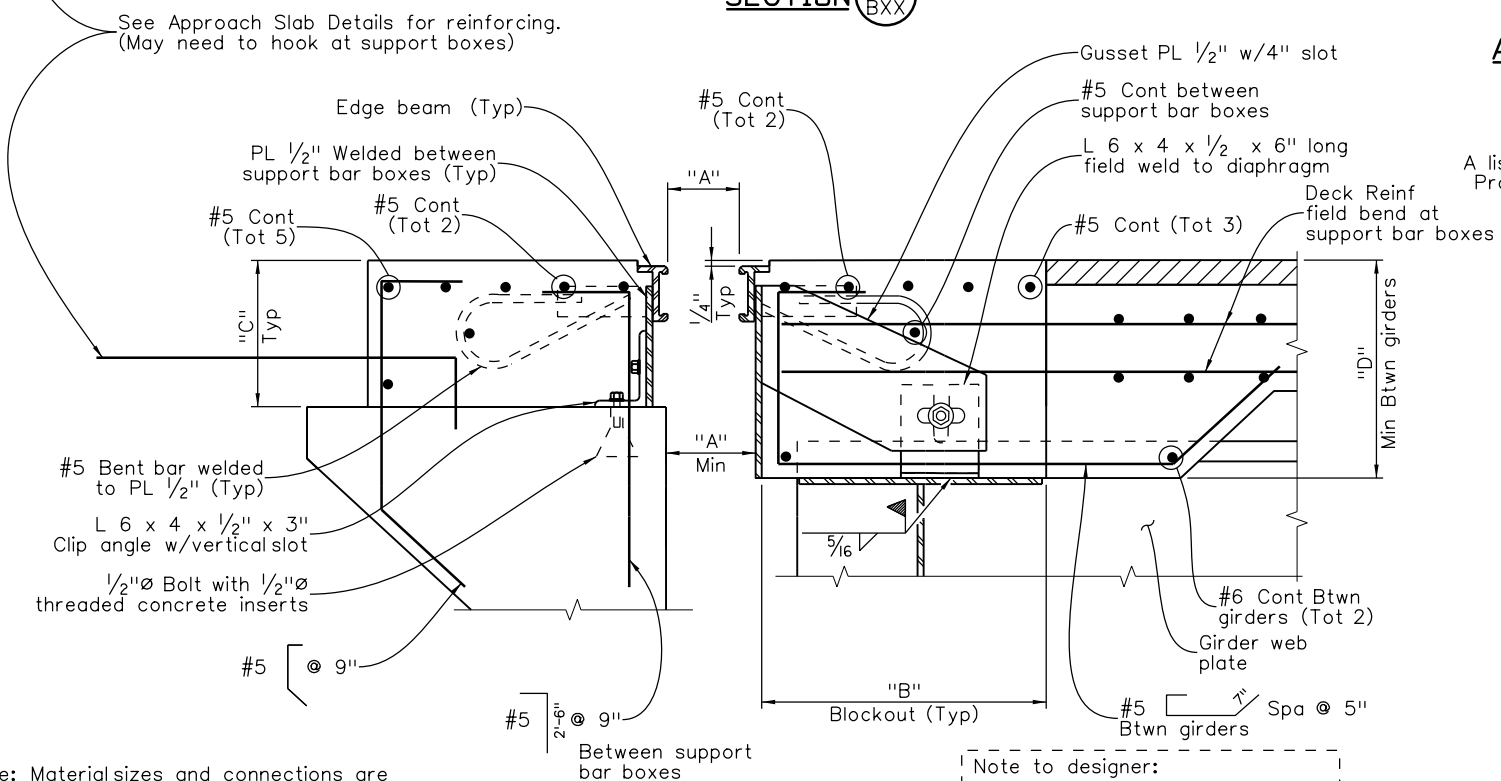


Revision Dates	(Preliminary Stage Only)
8/96	3/99
3/99	11/99
5/00	5/00
4/02	3/07
5/13	5/13
3/23	3/23

INITIALS	DESIGN	DATE	DETAIL	DATE	QUANTITY	DATE
By						
Checked By						



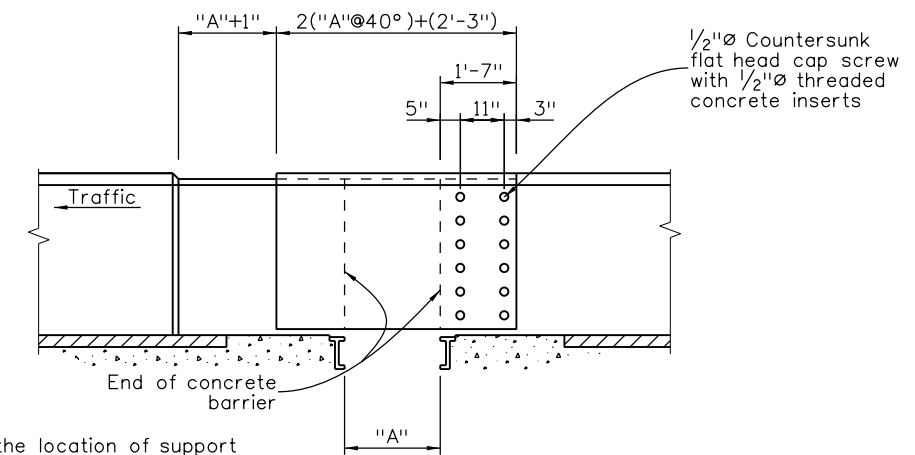
SECTION B BXX



SECTION C BXX

Note to designer:
Modular Expansion Devices are sized by both expansion capacity and support conditions.

Note: Materialsizes and connections are conceptual. Actualsizes to be provided by supplier's design in the shop drawings.



ELEVATION
(Traffic face of Bridge Barrier)

NOTES:

1. The Contractor shall coordinate the location of support bar boxes to avoid interference with the diaphragm shear studs.
2. The expansion device shall be loosely in place prior to the placement of deck reinforcing and the deck pour.
3. Recess joint armor and edge beams 1/4" below finished concrete as shown.
4. All steelelements (whether grade A36 or A588) of the bridge expansion device, including cover plates, shall be hot dip galvanized after fabrication as per Section 509.11 of the Standard Specifications.

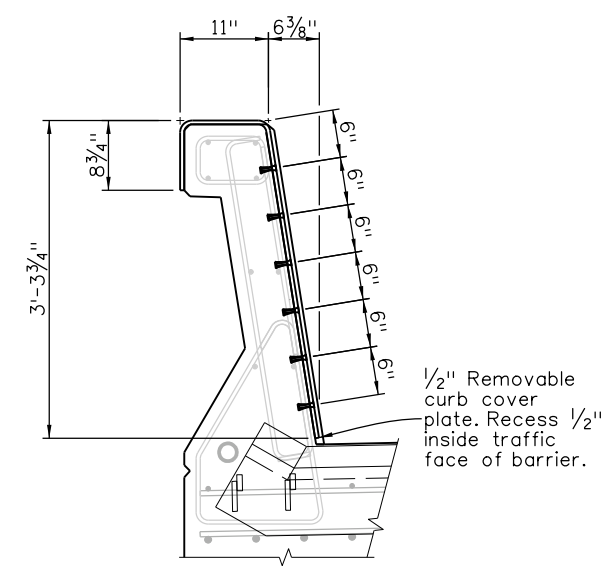
ACCEPTABLE EXPANSION DEVICE ALTERNATES

Wabo modular expansion joint system
Steelflex modular expansion joint system
or approved equal.

A list of current Pre-Approved Lot numbers, Suppliers, and the Procedure to register new suppliers can be found on CDOT Approved Products List Web site at:

<http://apps.coloradodot.info/apl/AplSearch.cfm>

DIMENSIONS	LOCATION	
"A"	Abut 1	Abut N
Structure Temp		
-30°		
30°		
40°		
50°		
60°		
70°		
80°		
90°		
100°		
DIMENSIONS		
"B"		
"C"		
"D"		



TYPICAL SECTION

NOTE:

Fabricate cover plate after bridge rail installation using field measurements.

All seals for this set of drawings are applied to the cover page(s)	Print Date: \$DATE\$	Sheet Revisions		Colorado Department of Transportation		As Constructed		BRIDGE EXPANSION DEVICE (0-__INCH) STEEL GIRDER		Project No./Code		
	File Name: Sheet_B-518-MIS.dgn	Date:	Comments	Init.	2829 West Howard Place, 3rd Floor Denver, CO 80204 Phone: 303-512-4079 FAX: 303-757-9197		No Revisions:		Project Number			
	Horiz. Scale: Not to Scale Vert. Scale: As Noted						Revised:		Designer: XXXXXXXX		Structure X-XX-XX	
	Unit Information Unit Leader Initials						Void:		Detailer: XXXXXXXX		Numbers X-XX-XX	
					Staff Bridge Branch		Sheet Subset: BRIDGE		Subset Sheets: BXX of XXX		Code	
					Initials						Sheet Number	