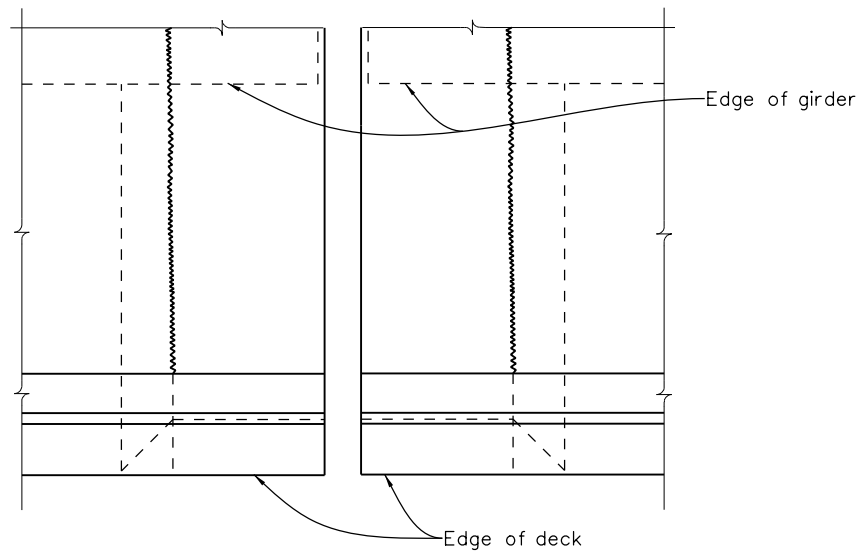
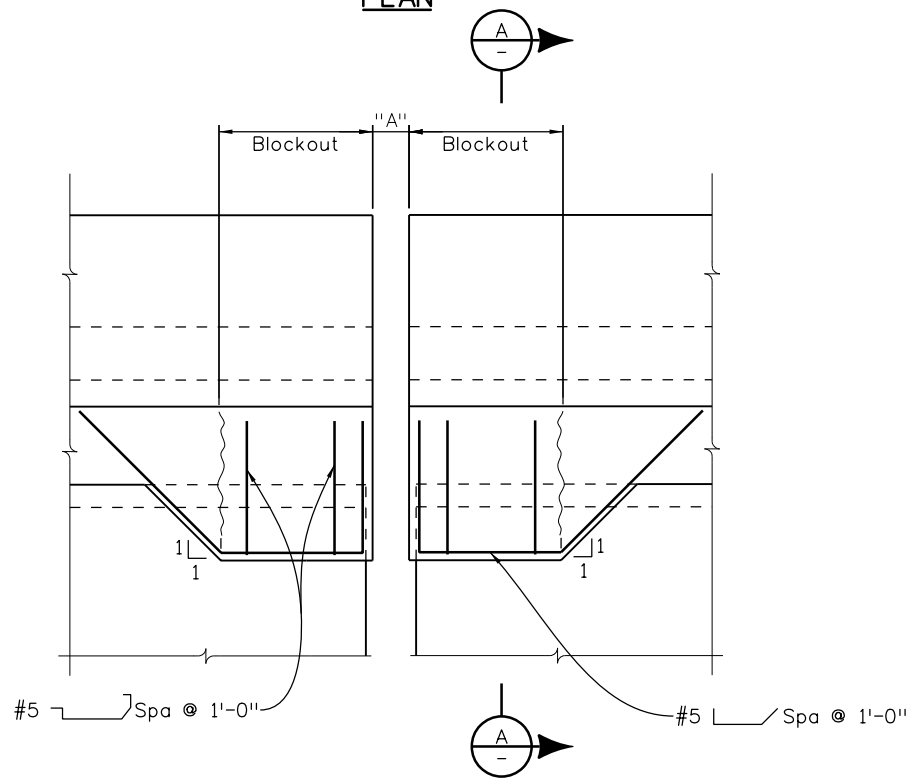


Revision Dates (Preliminary Stage Only)			
8/94	8/96	3/99	11/99
			4/02
			3/07
			5/13
			3/23

INITIALS	DESIGN	DATE	DETAIL	DATE	QUANTITY	DATE
By						
Checked By						

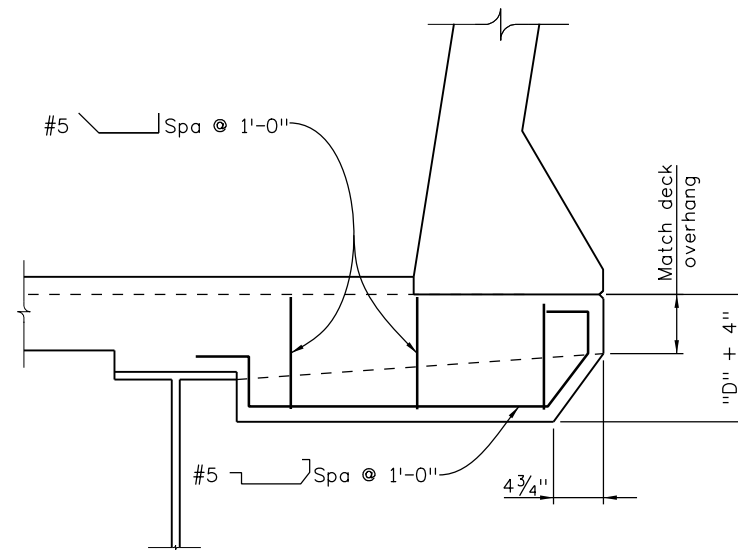


PLAN

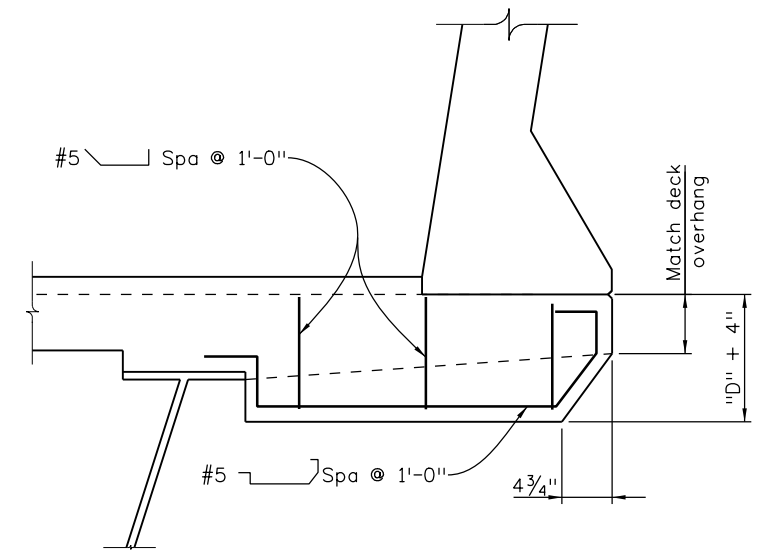


ELEVATION
MODIFIED OVERHANG AT PIER
BRIDGE EXPANSION DEVICE

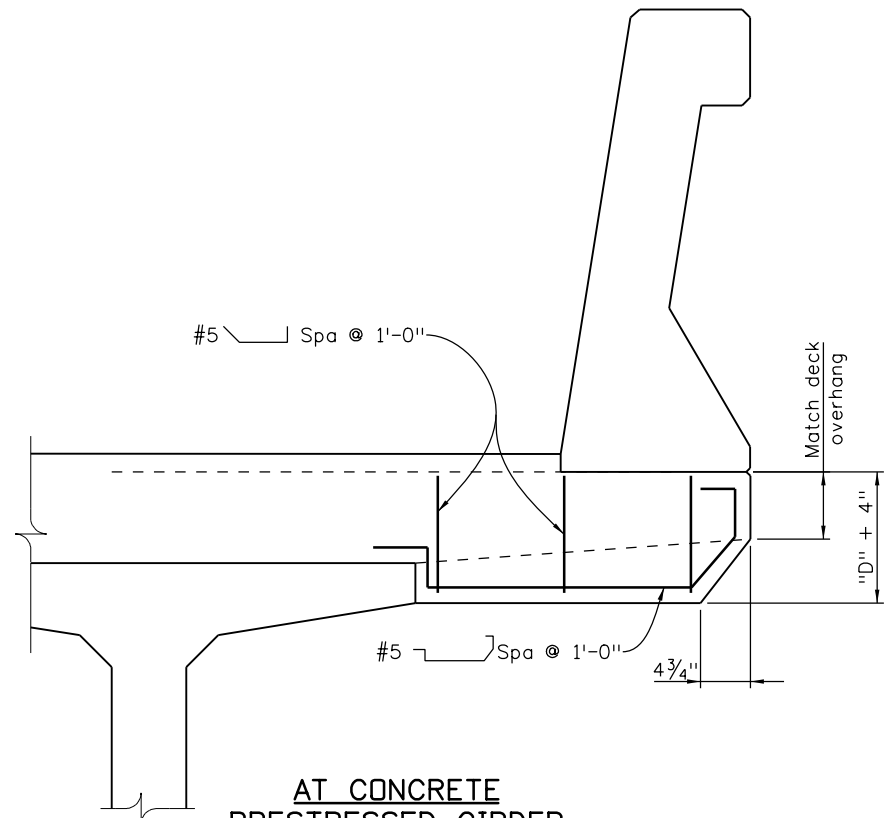
Overhang at abutment similar



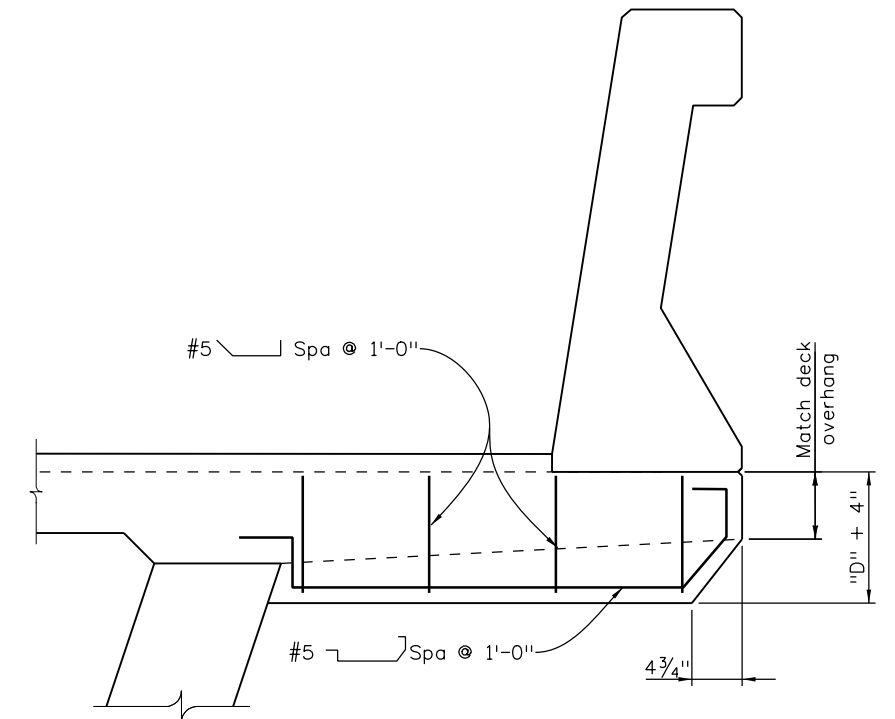
AT WELDED PLATE GIRDER



AT STEEL BOX GIRDER



AT CONCRETE
PRESTRESSED GIRDER



AT CONCRETE BOX GIRDER

SECTION A

All seals for this set of drawings are applied to the cover page(s)	Print Date: \$DATE\$	Sheet Revisions			Colorado Department of Transportation		As Constructed		BRIDGE EXPANSION DEVICE (0- INCH) MISC DETAILS			Project No./Code		
	File Name: Sheet_B-518-M3.dgn	Date:	Comments	Init.	 2829 West Howard Place, 3rd Floor Denver, CO 80204 Phone: 303-512-4079 FAX: 303-757-9197		No Revisions:		Designer: XXXXXXXX		Structure	X-XX-XX	Project Number	
	Horiz. Scale: Not to Scale Vert. Scale: As Noted						Revised:		Detailer: XXXXXXXX		Numbers	X-XX-XX	Code	
	Unit Information						Void:		Sheet Subset: BRIDGE		Subset Sheets:	BXX of XXX	Sheet Number	
	Unit Leader Initials				Staff Bridge Branch		Initials							