

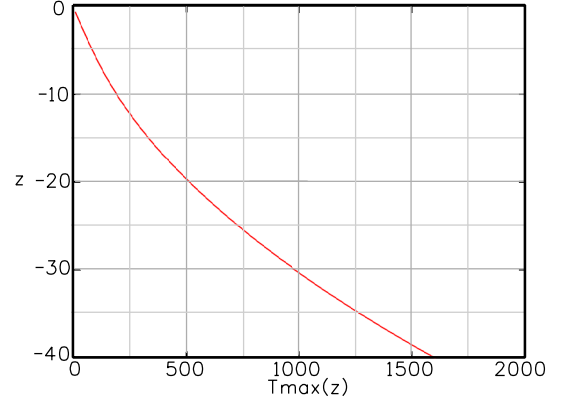
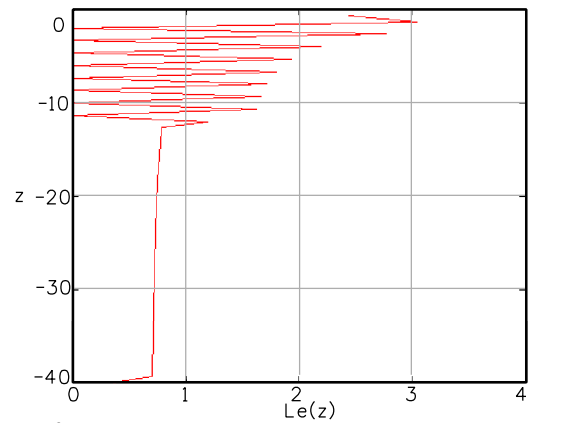
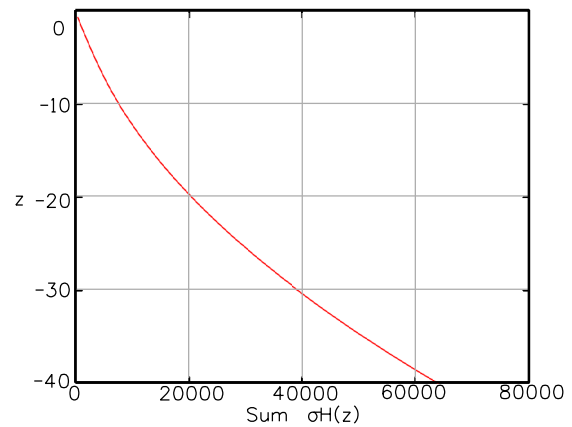
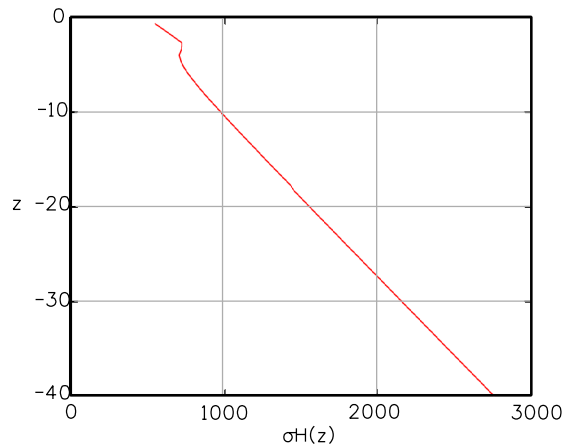
nguyenh 9/18/37 AM C:\Users\nguyenh\Desktop\Worksheet dgn and PDF\Sheet\_B-504-04.dgn

Revision Dates		Quantities	
09-16	(Preliminary Stage Only)	INITIAL	DATE
		Checked By	Checked By

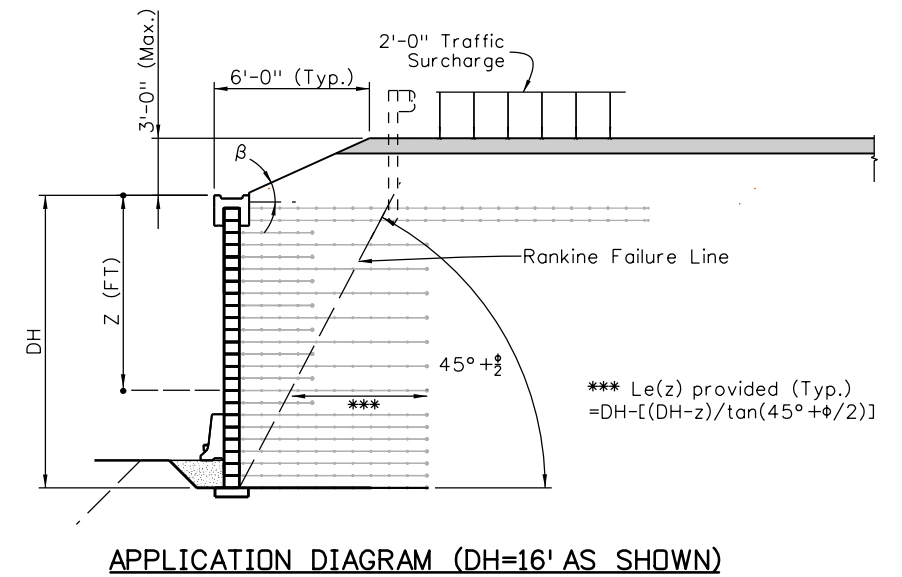
Design		Detail		Quantities	
INITIAL	DATE	INITIAL	DATE	INITIAL	DATE
Designed By	Checked By	Detailed By	Checked By	Checked By	Checked By

DH or Z (FT)	# OF BLOCKS	$\sigma H$ (lb./Ft.)	$\Sigma \sigma H \times \text{spacing}$ (lb./Ft.)	RL TYPE	SPACING	Le (Ft.)
0.667	Coping	544.284	362.856	TOP	12"	2.433
1.333	2	602.255	764.360	TOP	16"	3.037
2.000	3	660.226	1.21E+03	TAIL	N/A	NA
2.667	4	718.198	1.68E+03	FULL	16"	2.77
3.333	5	717.611	2.16E+03	TAIL	N/A	NA
4.000	6	702.437	2.63E+03	FULL	16"	2.193
4.667	7	712.544	3.11E+03	TAIL	N/A	NA
5.333	8	734.000	3.59E+03	FULL	16"	1.925
6.000	9	761.519	4.10E+03	TAIL	N/A	NA
6.667	10	792.642	4.63E+03	FULL	16"	1.792
7.333	11	826.070	5.18E+03	TAIL	N/A	NA
8.000	12	861.055	5.76E+03	FULL	16"	1.711
8.667	13	897.139	6.35E+03	TAIL	N/A	NA
9.333	14	934.023	6.98E+03	FULL	16"	1.655
10.000	15	971.508	7.62E+03	TAIL	N/A	NA
10.667	16	1.01E+03	8.30E+03	FULL	16"	1.614
11.333	17	1.05E+03	9.00E+03	TAIL	N/A	NA
12.000	18	1.09E+03	9.72E+03	FULL	12"	1.187
12.667	19	1.13E+03	1.05E+04	FULL	8"	0.785
13.333	20	1.16E+03	1.13E+04	FULL	8"	0.779
14.000	21	1.20E+03	1.21E+04	FULL	8"	0.773
14.667	22	1.24E+03	1.29E+04	FULL	8"	0.769
15.333	23	1.28E+03	1.37E+04	FULL	8"	0.764
16.000	24	1.32E+03	1.46E+04	FULL	8"	0.76
16.667	25	1.36E+03	1.55E+04	FULL	8"	0.756
17.333	26	1.40E+03	1.65E+04	FULL	8"	0.753
18.000	27	1.44E+03	1.74E+04	FULL	8"	0.75
18.667	28	1.48E+03	1.84E+04	FULL	8"	0.747
19.333	29	1.52E+03	1.94E+04	FULL	8"	0.744
20.000	30	1.56E+03	2.05E+04	FULL	8"	0.741
20.667	31	1.60E+03	2.15E+04	FULL	8"	0.739
21.333	32	1.64E+03	2.26E+04	FULL	8"	0.736
22.000	33	1.68E+03	2.37E+04	FULL	8"	0.734
22.667	34	1.72E+03	2.49E+04	FULL	8"	0.732
23.333	35	1.76E+03	2.61E+04	FULL	8"	0.73
24.000	36	1.80E+03	2.73E+04	FULL	8"	0.728
24.667	37	1.84E+03	2.85E+04	FULL	8"	0.727
25.333	38	1.88E+03	2.97E+04	FULL	8"	0.725
26.000	39	1.92E+03	3.10E+04	FULL	8"	0.723
26.667	40	1.96E+03	3.23E+04	FULL	8"	0.722
27.333	41	2.00E+03	3.37E+04	FULL	8"	0.721
28.000	42	2.04E+03	3.50E+04	FULL	8"	0.719
28.667	43	2.08E+03	3.64E+04	FULL	8"	0.718
29.333	44	2.12E+03	3.78E+04	FULL	8"	0.717
30.000	45	2.16E+03	3.93E+04	FULL	8"	0.716
30.667	46	2.20E+03	4.07E+04	FULL	8"	0.714
31.333	47	2.24E+03	4.22E+04	FULL	8"	0.713
32.000	48	2.28E+03	4.37E+04	FULL	8"	0.712
32.667	49	2.32E+03	4.53E+04	FULL	8"	0.711
33.333	50	2.36E+03	4.69E+04	FULL	8"	0.71
34.000	51	2.40E+03	4.85E+04	FULL	8"	0.709
34.667	52	2.44E+03	5.01E+04	FULL	8"	0.708
35.333	53	2.48E+03	5.17E+04	FULL	8"	0.708
36.000	54	2.52E+03	5.34E+04	FULL	8"	0.707
36.667	55	2.56E+03	5.51E+04	FULL	8"	0.706
37.333	56	2.60E+03	5.69E+04	FULL	8"	0.705
38.000	57	2.64E+03	5.86E+04	FULL	8"	0.704
38.667	58	2.68E+03	6.04E+04	FULL	8"	0.704
39.333	59	2.72E+03	6.22E+04	FULL	8"	0.703
40.000	60	2.76E+03	6.41E+04	FULL	4"	0.351

\* Summation of  $\sigma H$  above Z  
 \*\* Tributary spacing



**B-504-04**  
 (This sheet must be accompanied with B-504-N1 or N2 or N3)



Note to Designer:  
 Refer to Bridge Design Manual (BDM) for Design Criteria and Examples

Print Date: 9/6/2016	0000
File Name: Sheet_B-504-04.dgn	
Horiz. Scale: As Noted      Vert. Scale: As Noted	
Staff Bridge Branch-Unit OXXX      Unit Leader Initials	

Sheet Revisions		
Date:	Comments	Init.

**Colorado Department of Transportation**  
 4201 East Arkansas Avenue  
 Room 107  
 Denver, CO 80222  
 Phone: 303-757-9309 FAX: 303-757-9197

**Staff Bridge Branch**      **Initials**

<b>As Constructed</b>
No Revisions:
Revised:
Void:

<b>LRFD GRS WALL WITH 2H(MIN.):1V BROKEN BACK SLOPE DESIGN CHARTS/TABLE</b>			
Designer: XXXXXXXX	Structure Numbers	Wall-X-XX-XX	Project No./Code
Detailer: XXXXXXXX	Subset Sheets: WXX of XXX	Wall-X-XX-XX	
Sheet Subset: Wall			

Project Number
Code
Sheet Number