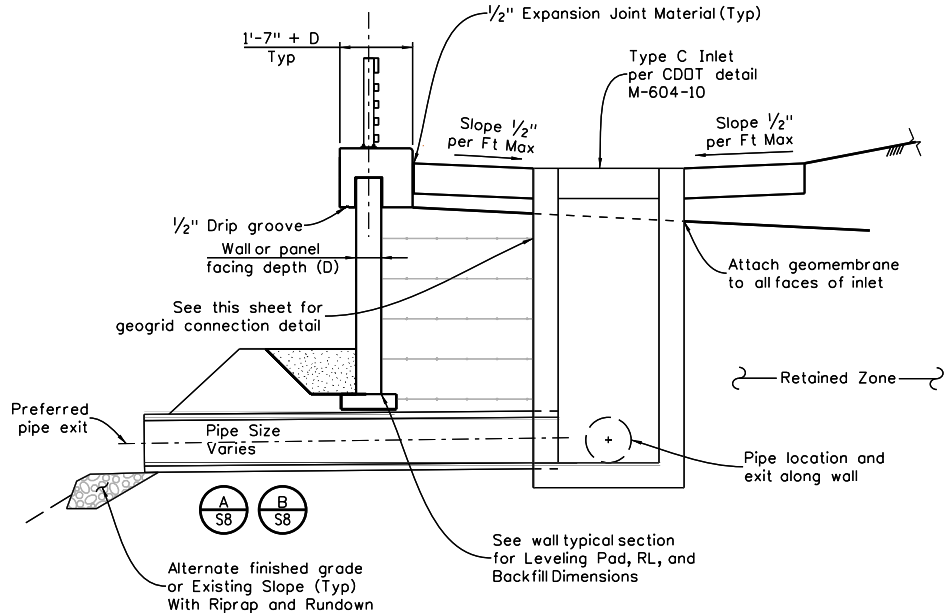
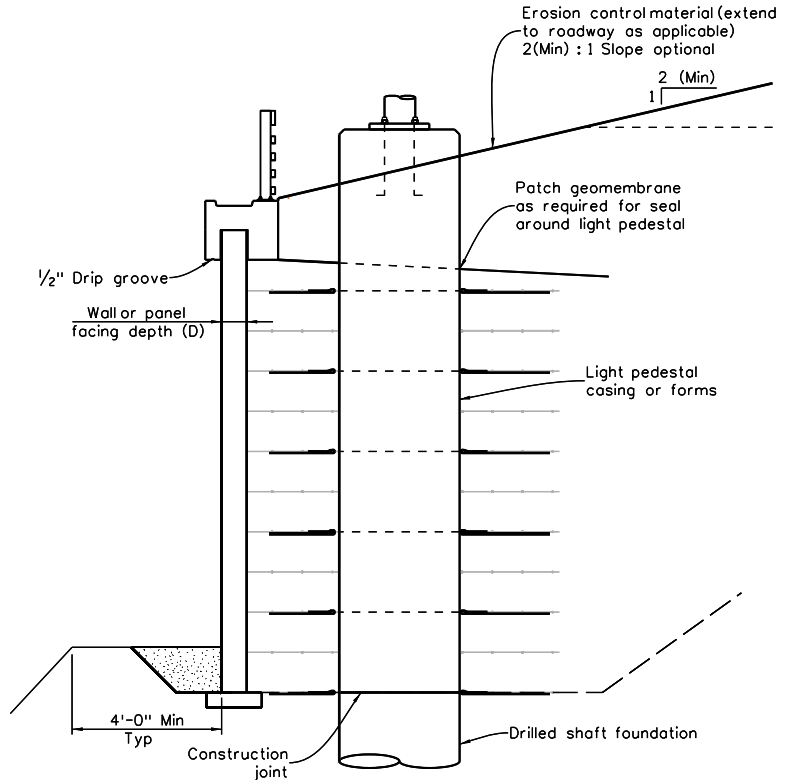


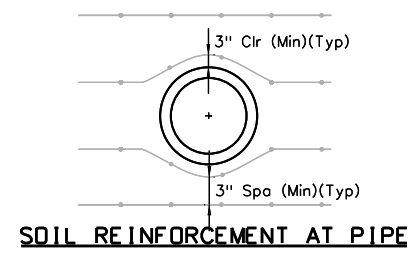
Revision Dates
09-16 10-24



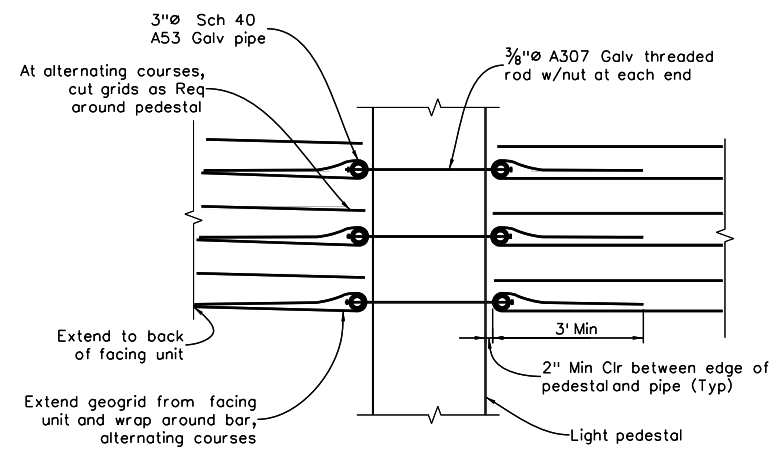
SECTION AT INLET



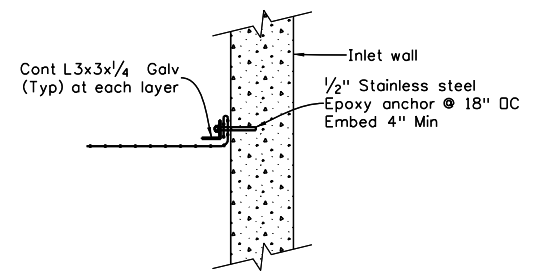
SECTION AT LIGHT POLE



SOIL REINFORCEMENT AT PIPE



SOIL REINFORCEMENT CONNECTION DETAIL AT LIGHT POLE - SECTION



GRID CONNECTION DETAIL AT INLET

1. Labor and costs of connectors are included in wall pay item.
2. Contractor shall submit shop drawings showing connection details for Engineer review.
3. Contractor may propose and submit alternate designs for Engineer review at no extra cost to the project.

INITIALS	DESIGN	DATE	DETAIL	DATE	QUANTITY	DATE
By						
Checked By						

\$PLOT_INFO\$

All seals for this set of drawings are applied to the cover page(s)	Print Date: \$DATE\$	Sheet Revisions		Colorado Department of Transportation		As Constructed		MSE/GRS WALL MISCELLANEOUS DETAILS		Project No./Code	
	File Name: Sheet_B-504-S3.dgn	Date:	Comments	Init.	2829 West Howard Place, 3rd Floor Denver, CO 80204 Phone: 303-512-4079 FAX: 303-757-9197		No Revisions:		Designer: XXXXXXXX Structure: XXXXXXXXXXXXX Detailer: XXXXXXXX Numbers: XXXXXXXXXXXXX		Sheet Number
	Horiz. Scale: Vert. Scale: As Noted						Revised:				
	Unit Information Unit Leader Initials					Void:		Sheet Subset: WALL Subset Sheets: WXX of XXX			
							Staff Bridge Branch		Initials		