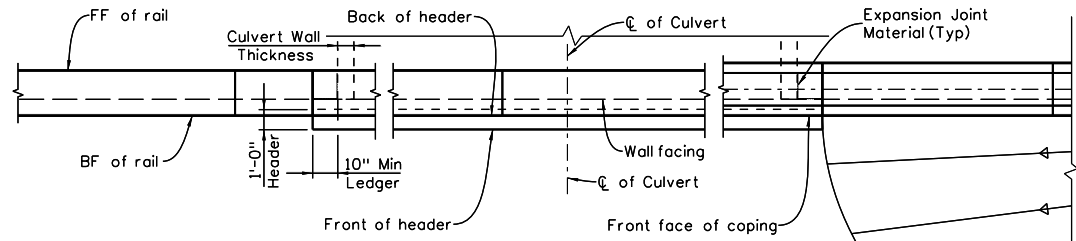
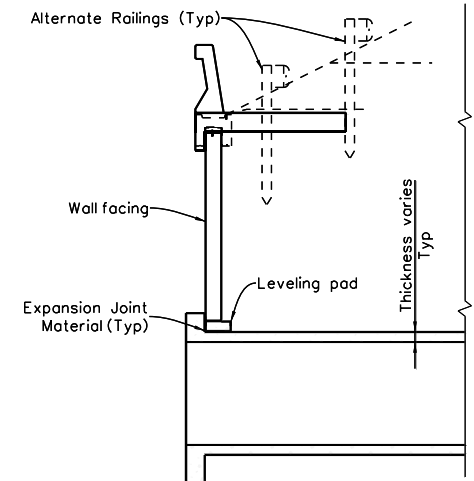


Revision	Date
09-16	10-24

INITIALS	DESIGN	DATE	DETAIL	DATE	QUANTITY	DATE
By						
Checked By						

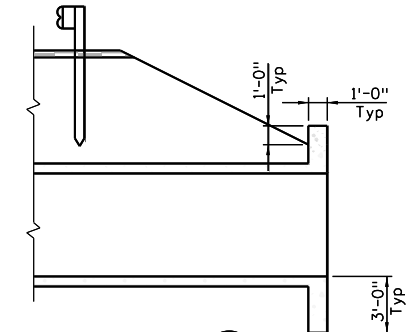


PLAN

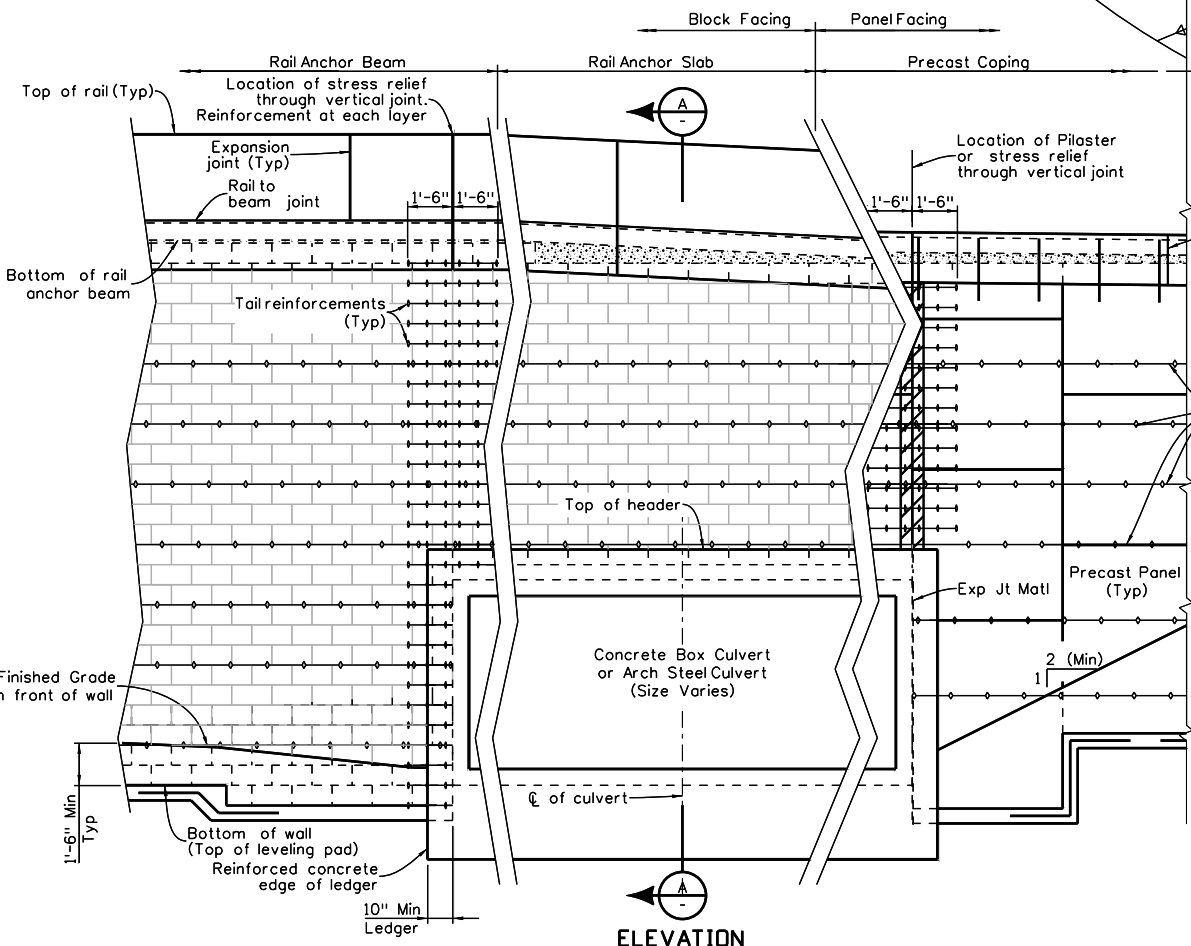


DETAIL 1

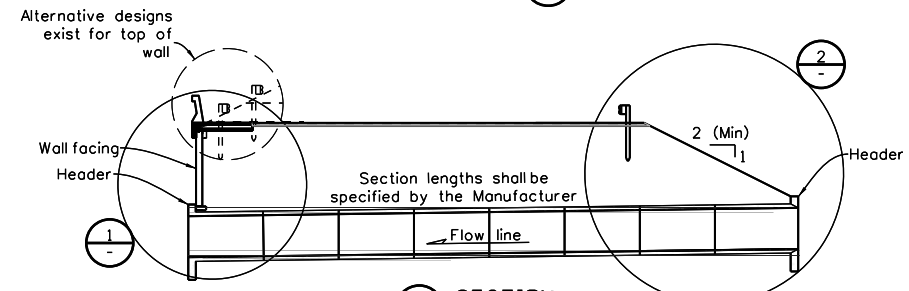
See M-603-3 for bedding details (Typ)



DETAIL 2



ELEVATION



SECTION

TYPICAL CULVERT INSTALLATION

B-504-S6
See M Standards for Additional Concrete Box Culvert Details

All seals for this set of drawings are applied to the cover page(s)

Print Date: \$DATE\$
File Name: Sheet_B-504-S6.dgn
Horiz. Scale: Vert. Scale: As Noted
Unit Information Unit Leader Initials

Sheet Revisions		
Date:	Comments	Init.

Colorado Department of Transportation

2829 West Howard Place, 3rd Floor
Denver, CO 80204
Phone: 303-512-4079
FAX: 303-757-9197

Staff Bridge Branch

As Constructed
No Revisions:
Revised:
Void:

MSE/GRS BLOCK OR PANEL WALL MISCELLANEOUS DETAILS			
Designer:	XXXXXX	Structure	XXXXXXXXXX
Detailer:	XXXXXX	Numbers	XXXXXXXXXX
Sheet Subset:	WALL	Subset Sheets:	WXX of XXX

Project No./Code
Sheet Number