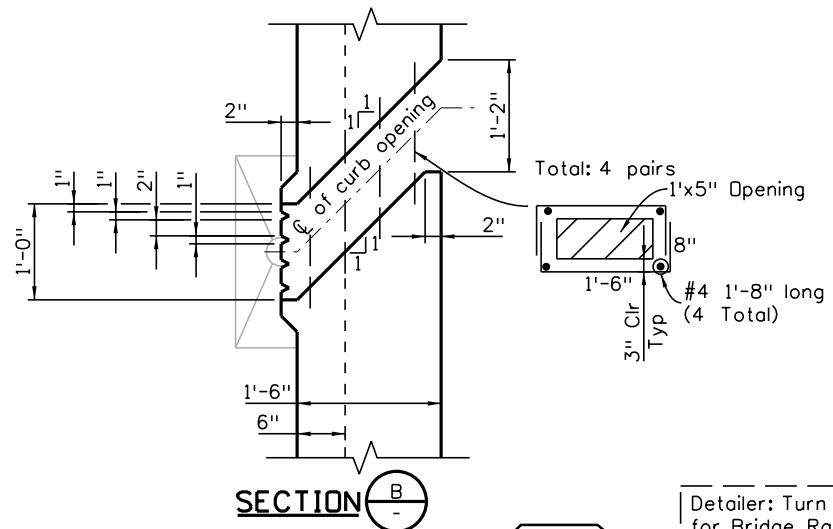
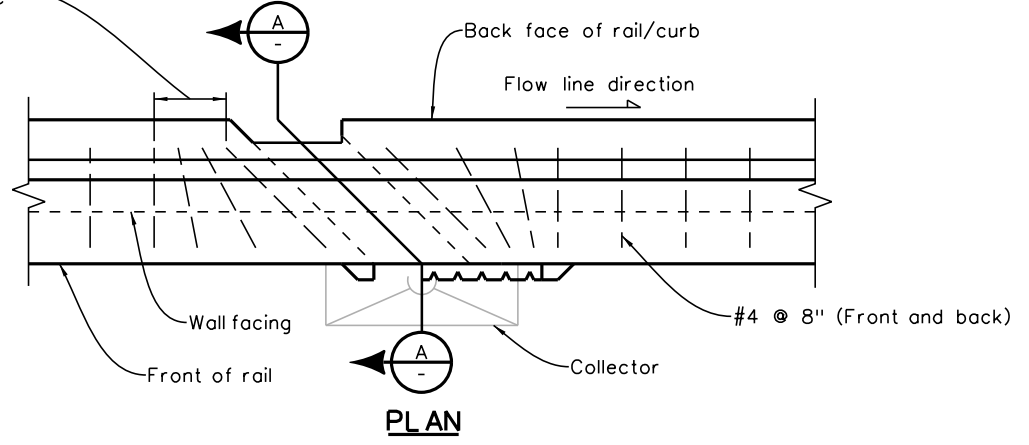


Revision Dates	
09-16	10-24

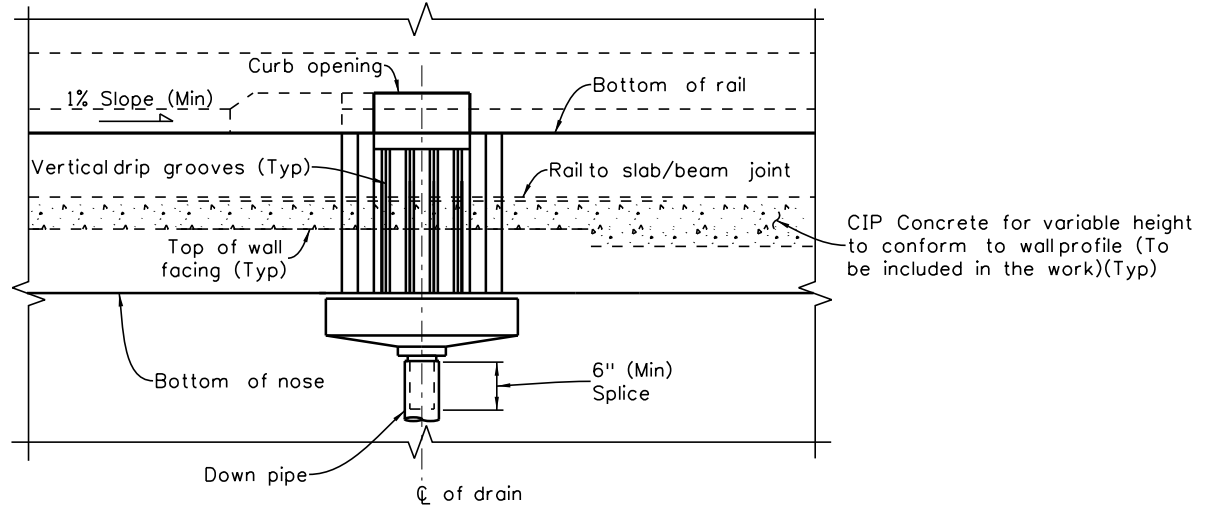
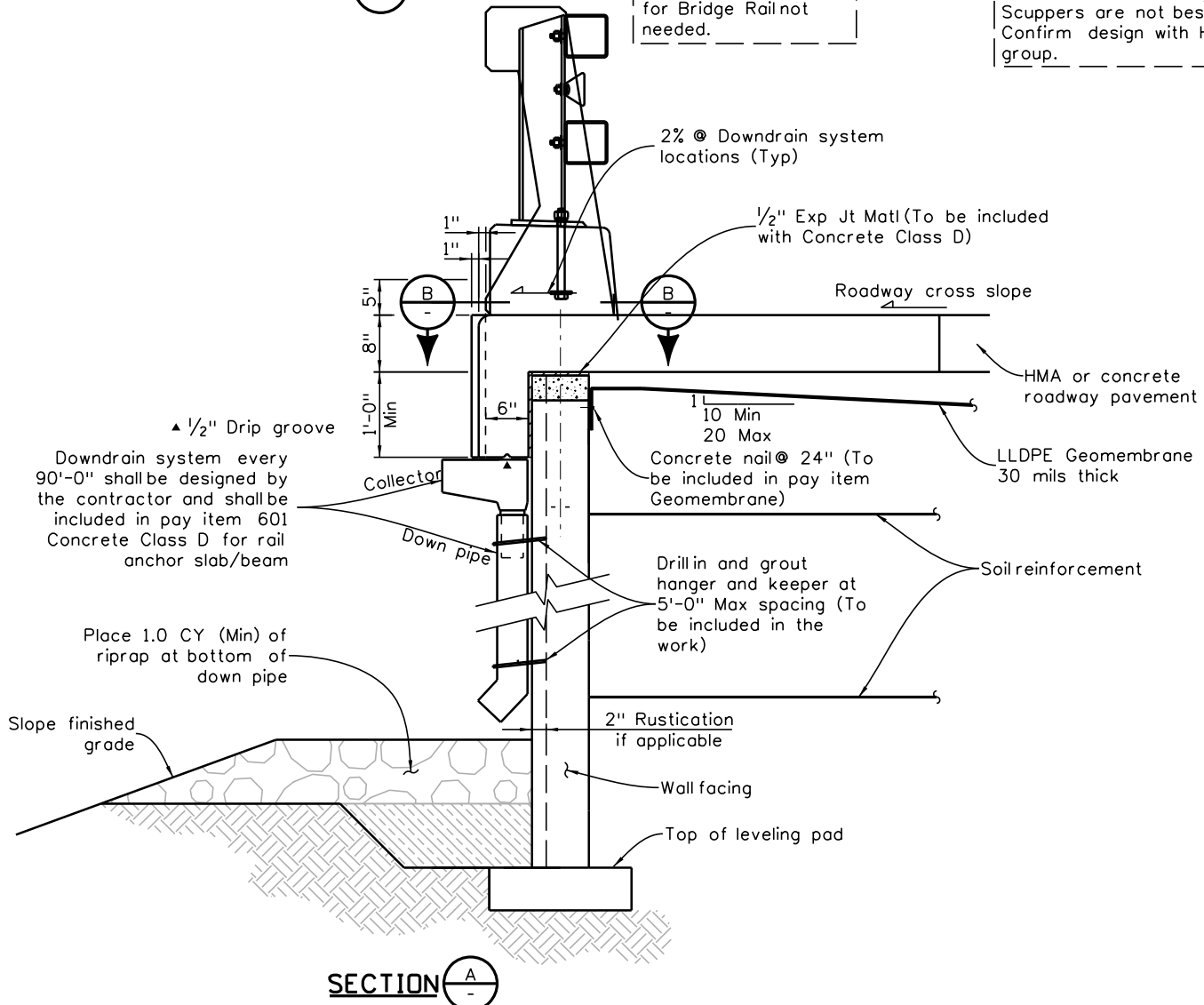


#4 @ 3": For the last 3 pairs of bars (Typ) per side



Detailer: Turn off level for Bridge Rail not needed.

Note to Detailer/Designer: Scuppers are not best option. Confirm design with Hydraulics group.



**NOTES:**

- Working drawings for curb drain including collector and down pipe are required for Engineer's information prior to fabrication.
- Added bars and concrete at drain openings are included in pay item 606 Bridge Rail.
- Similar curb detail for Bridge Rail Type 10 MASH. Type 10 MASH posts shall not be located at scuppers.

INITIALS	DESIGN	DATE	DETAIL	DATE	QUANTITY	DATE

\$PLOT\_INFO\$

All seals for this set of drawings are applied to the cover page(s)	Print Date: \$DATE\$	<b>Sheet Revisions</b>			<b>Colorado Department of Transportation</b>		<b>As Constructed</b>		<b>RAIL ANCHOR SLAB/BEAM RAIL/CURB DRAIN DETAILS</b>		Project No./Code
	File Name: Sheet_B-504-V3.dgn	Date:	Comments	Init.	2829 West Howard Place, 3rd Floor Denver, CO 80204 Phone: 303-512-4079 FAX: 303-757-9197	No Revisions:					
	Horiz. Scale: Vert. Scale: As Noted					Revised:	Designer: XXXXXXXX	Structure Numbers: XXXXXXXXXXXXX			
Unit Information Unit Leader Initials					Staff Bridge Branch	Void:	Detailer: XXXXXXXX	Subset Sheets: WXX of XXX			Sheet Number