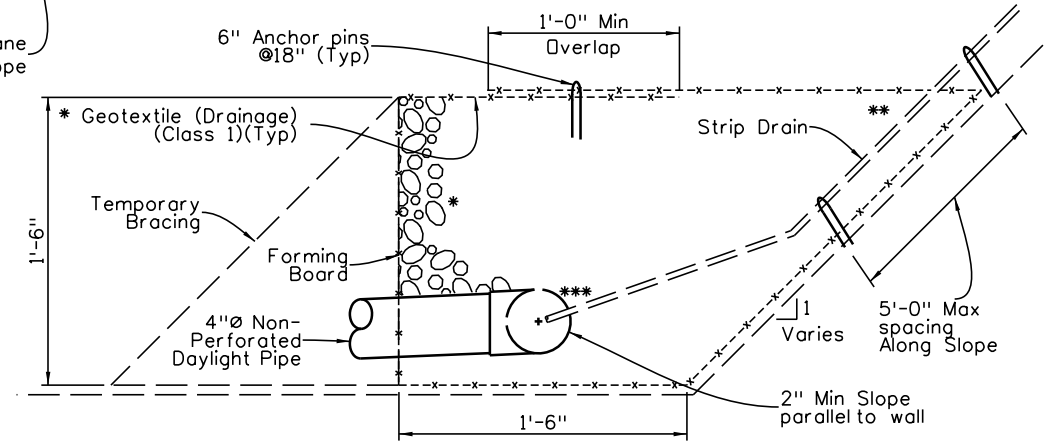
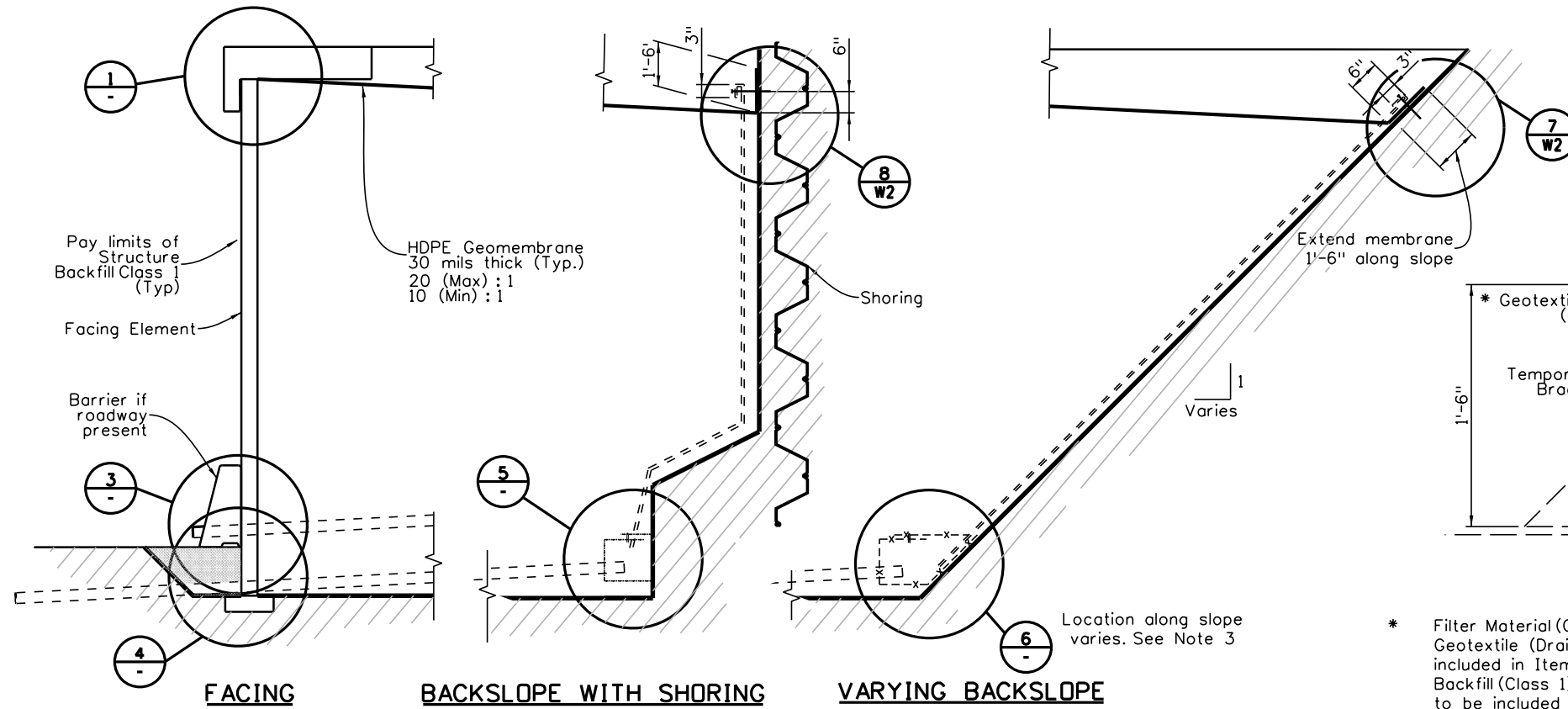


NOTES:

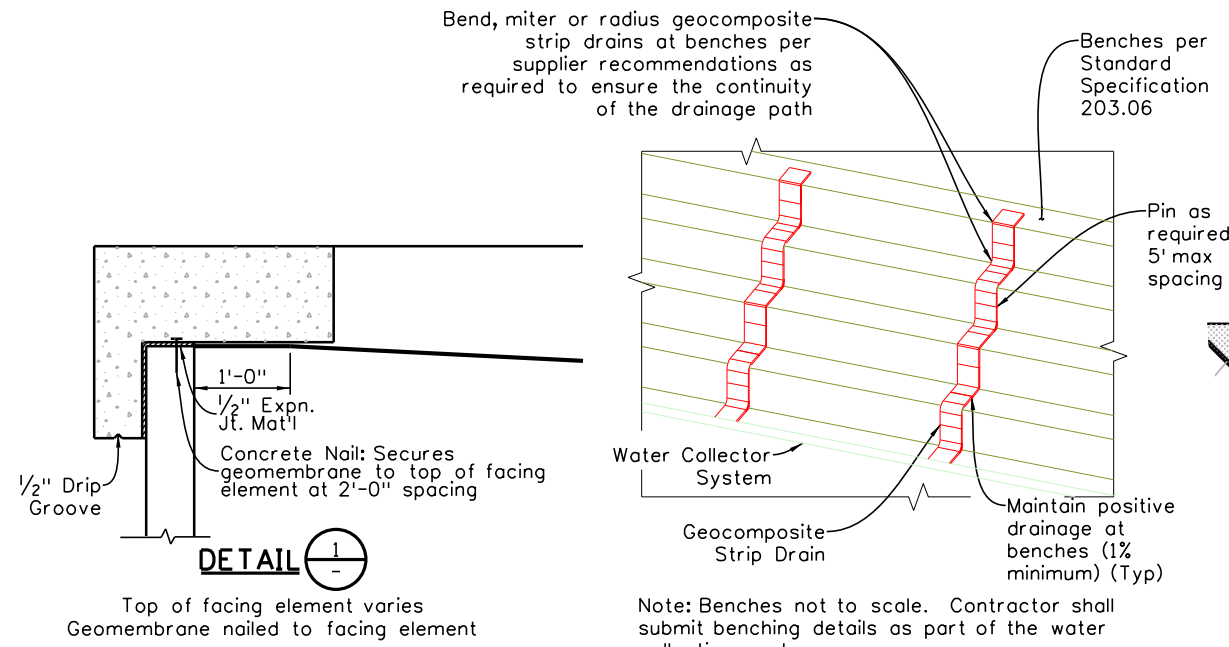
1. Drain and waterproofing membrane shall be fully functional with positive slope and outlet passage.
2. The Contractor shall provide site specific geomembrane and top soil reinforcement layout if conflict occurs and working drawing submittal is required.
3. The Contractor, as approved by the Engineer, may raise the location of the daylight drain pipe as appropriate.

Revision	Date	By	Checked
09-16			
10-24			

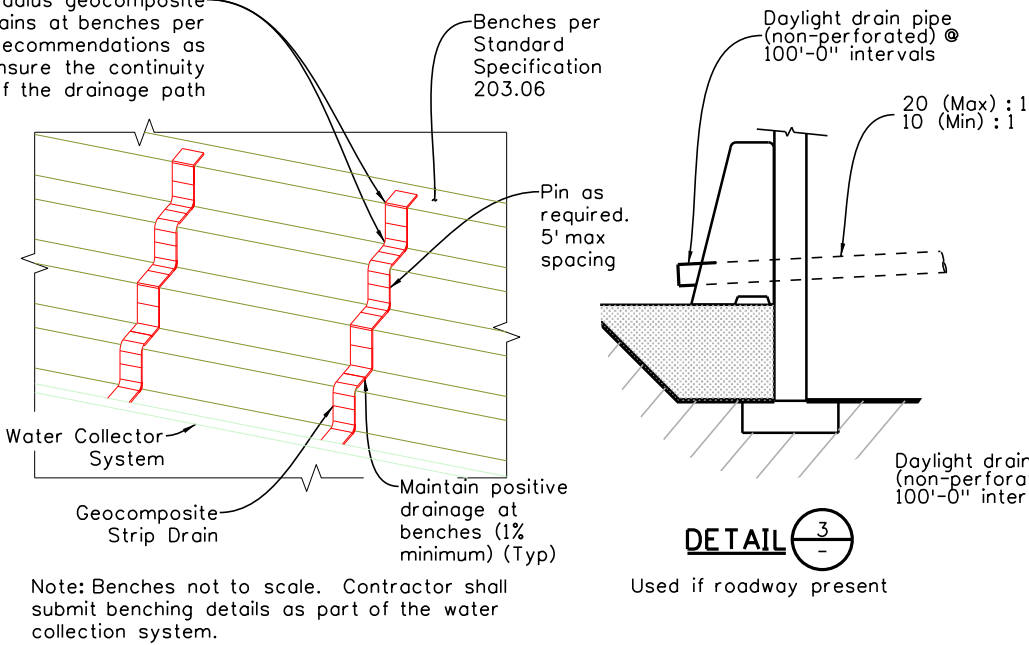


DETAIL 6
Drain Detail
For Varying Backslope

- * Filter Material (Class B) and Geotextile (Drainage) (Class 1) to be included in Item No 206 Structure Backfill (Class 1). Drainage System to be included in the cost of the work.
- ** Flow rate = 140 GPM/SF (Min) and core flowrate of 21 GPM/Ft (Min)
- *** Cut 12" wide slot and insert strip drain into 4"Ø pipe and pass through geotextile filter material



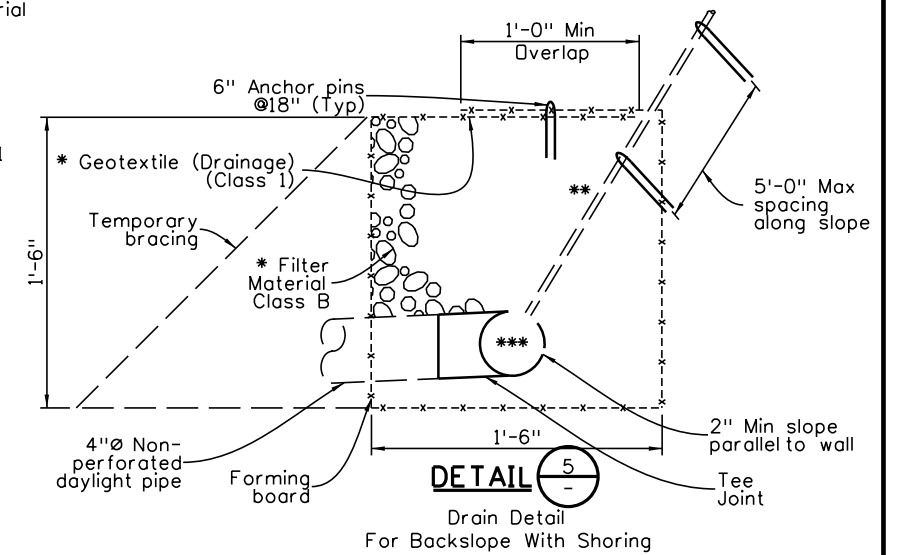
DETAIL 1



DETAIL 2

DETAIL 3

DETAIL 4



DETAIL 5

Drain Detail
For Backslope With Shoring

All seals for this set of drawings are applied to the cover page(s)	Print Date: \$DATE\$	Sheet Revisions			Colorado Department of Transportation 2829 West Howard Place, 3rd Floor Denver, CO 80204 Phone: 303-512-4079 FAX: 303-757-9197 Staff Bridge Branch	As Constructed No Revisions: Revised: Void:	DRAIN AND WATERPROOFING MEMBRANE DETAILS		Project No./Code	
	File Name: Sheet_B-504-W1.dgn	Date:	Comments	Init.			Designer: XXXXXXXX	Structure Numbers	XXXXXXXXXXXXXX	Sheet Number
	Horiz. Scale: Vert. Scale: As Noted						Detailer: XXXXXXXX	XXXXXXXXXXXXXX		
	Unit Information Unit Leader Initials						Sheet Subset: WALL	Subset Sheets: WXX of XXX		