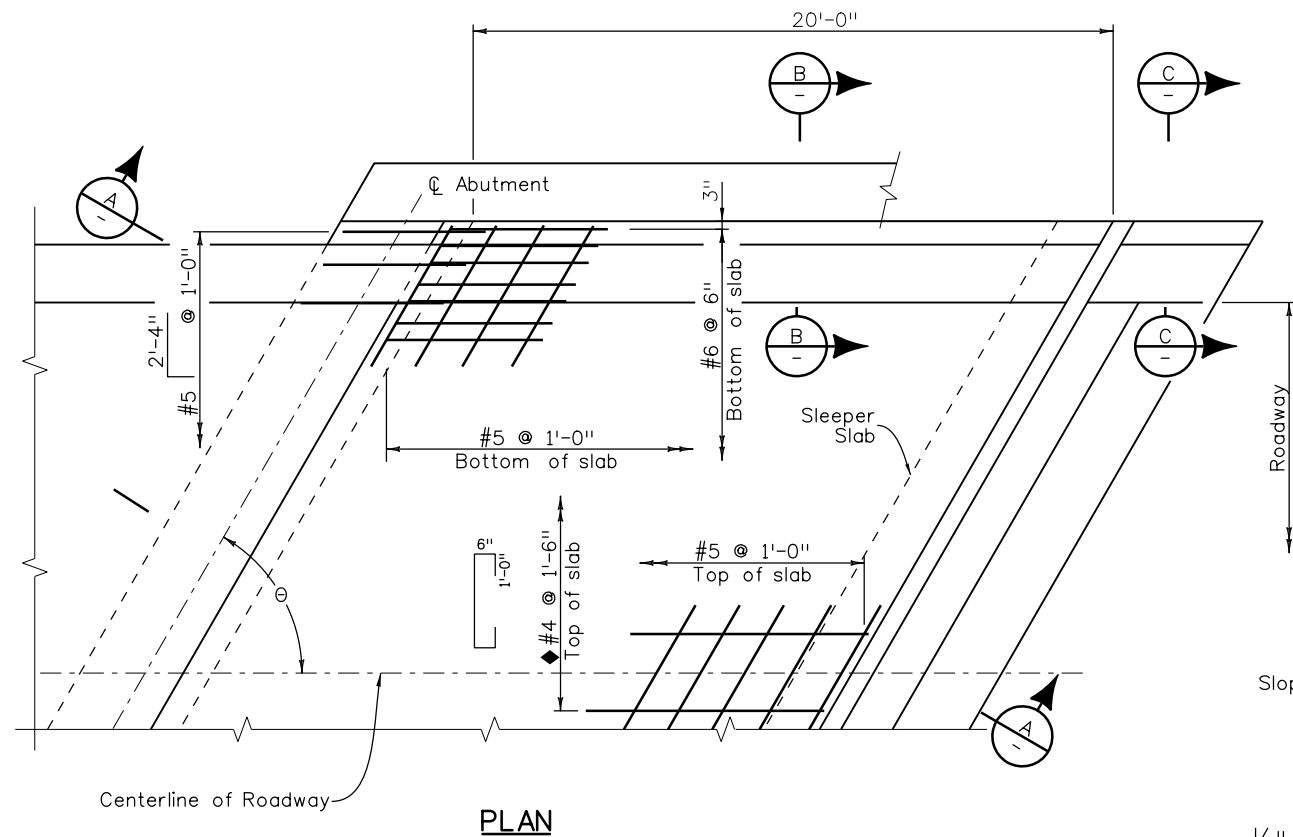
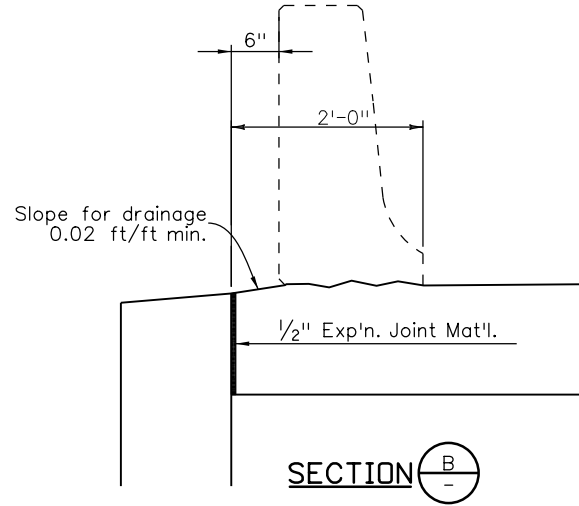


Revision Dates (Preliminary Stage Only)			
6/04	3/07	10/13	6/15

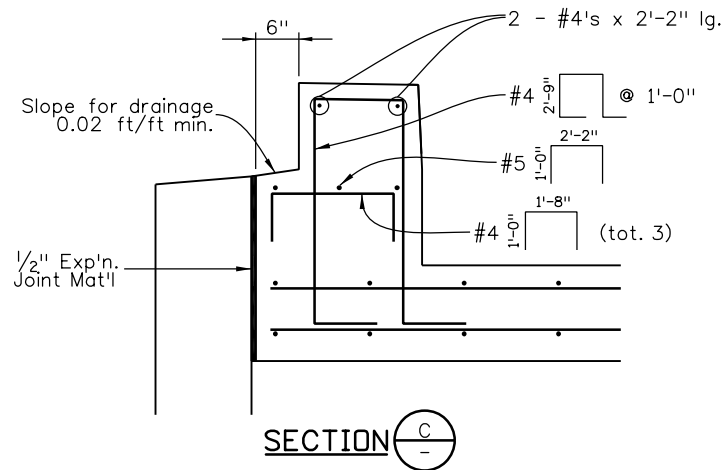
Design				Detail				Quantities			
INITIAL	DATE	INITIAL	DATE	INITIAL	DATE	INITIAL	DATE	INITIAL	DATE	INITIAL	DATE
XXX	MM/YY	XXX	MM/YY	XXX	MM/YY	XXX	MM/YY	XXX	MM/YY	XXX	MM/YY
Designed By	Checked By	Designed By	Checked By	Quantities By	Checked By	Quantities By	Checked By	Quantities By	Checked By	Quantities By	Checked By



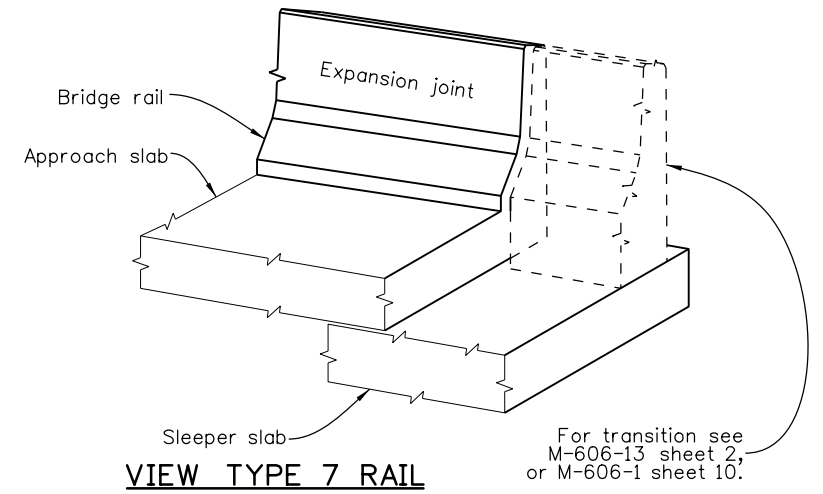
PLAN



SECTION B

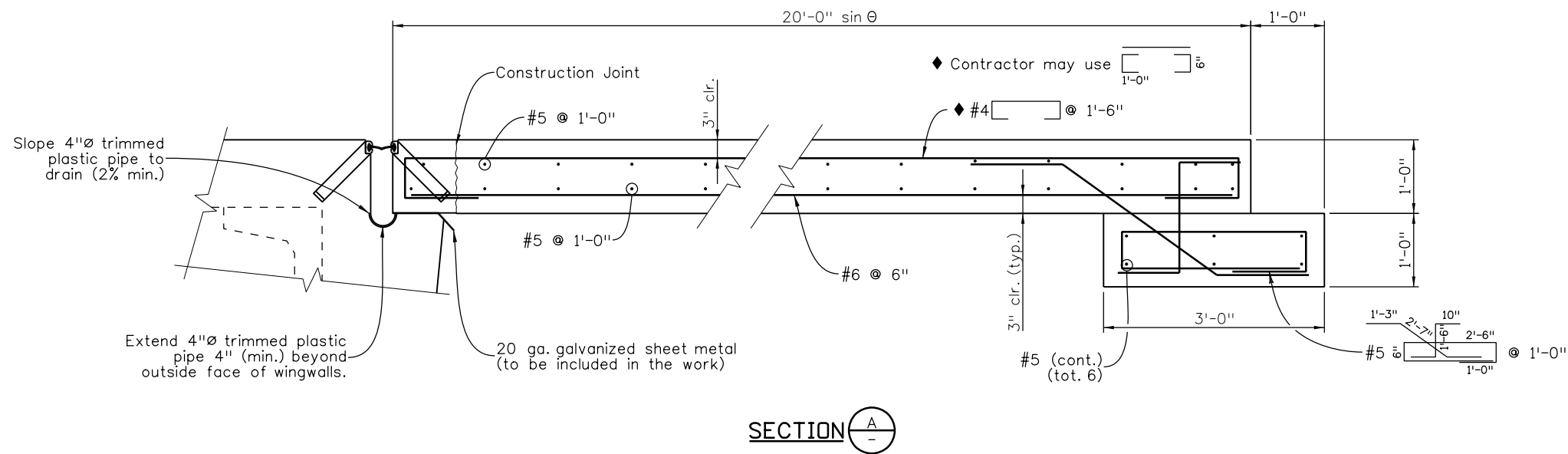


SECTION C



VIEW TYPE 7 RAIL

For transition see M-606-13 sheet 2, or M-606-1 sheet 10.



SECTION A

NOTES:

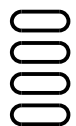
- Concrete Class D (Bridge) shall be used for approach slabs.
- 1/2" expansion joint material shall meet AASHTO Spec. M213.
- For expansion device details see Dwg. No. B-....
- For curb and rail details see Dwg. No. B-....
- Approach slab concrete shall be cured in accordance with the Specifications for Bridge Deck Concrete in Subsection 601.
- The top surface of the post-tensioning block, if any, shall be covered with 1" of low density polystyrene foam. See Dwg. No. B-....

Print Date: \$DATE\$

File Name: Sheet_B-601-1BF.dgn

Horiz. Scale: NTS Vert. Scale: As Noted

Staff Bridge Branch - Unit 022X Unit Leader Initials



Sheet Revisions

Date:	Comments	Init.

Colorado Department of Transportation
4201 East Arkansas Avenue
Room 107
Denver, CO 80222
Phone: 303-757-9309 FAX: 303-757-9197

Staff Bridge Branch Initials

As Constructed

No Revisions:

Revised:

Void:

**APPROACH SLAB DETAILS
CONCRETE W/ 0"-4" AT ABUTMENT**

Designer:	XXXXXXXX	Structure	X-XX-XX
Detailer:	XXXXXXXX	Numbers	X-XX-XX
Sheet Subset:	BRIDGE	Subset Sheets:	BXX of XXX

Project No./Code

Project Number

Code

Sheet Number **XXX**