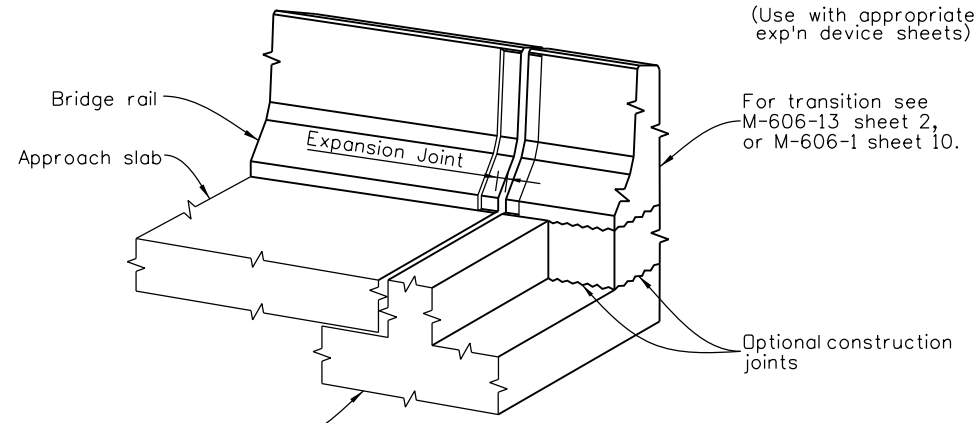


B-601-1EC

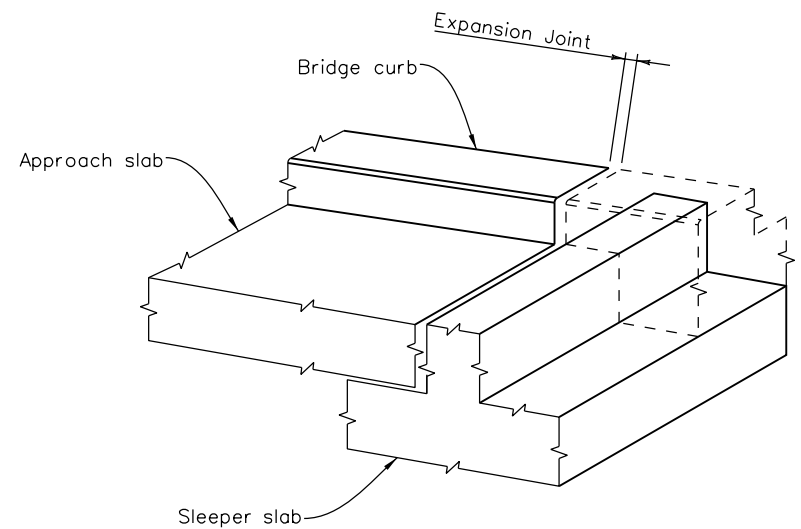
(Use with appropriate exp'n device sheets)

For transition see M-606-13 sheet 2, or M-606-1 sheet 10.

Optional construction joints



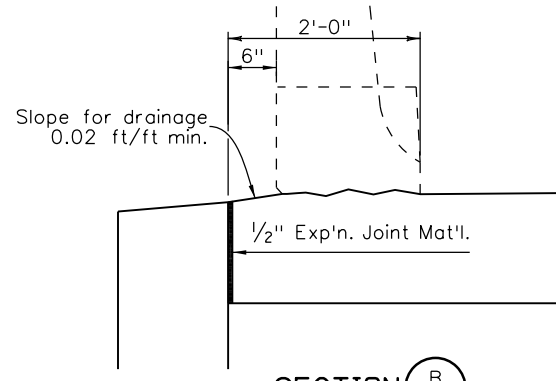
VIEW TYPE 7 RAIL



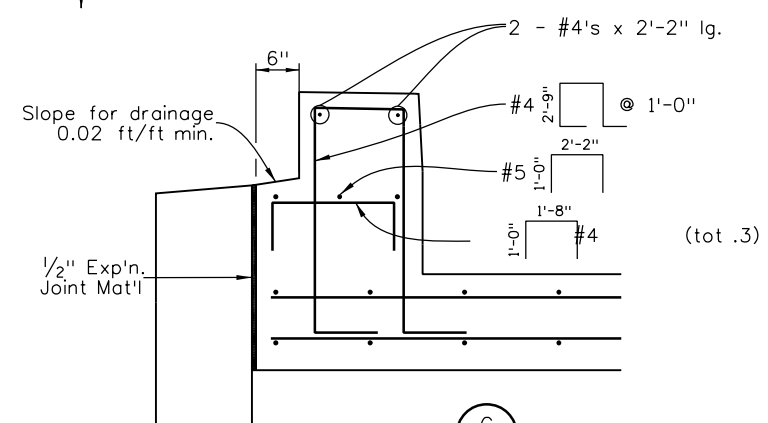
VIEW TYPE 3 OR 10 RAILS

NOTES:

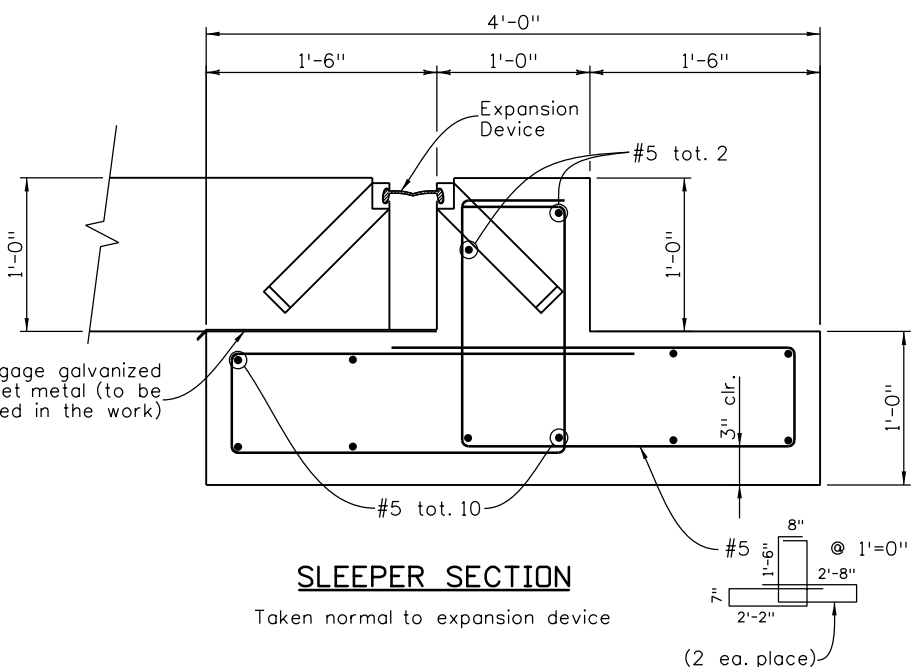
- Concrete Class D (Bridge) shall be used for approach slabs.
- 1/2" expansion joint material shall meet AASHTO Spec. M213.
- For expansion device details see Dwg. No. B_____.
- For curb and rail details see Dwg. No. B_____.
- Approach slab concrete shall be cured in accordance with the Specifications for Bridge Deck Concrete in Subsection 601.
- The top surface of the post-tensioning block, if any, shall be covered with 1" of low density polystyrene foam. See Dwg. No. B_____.



SECTION B

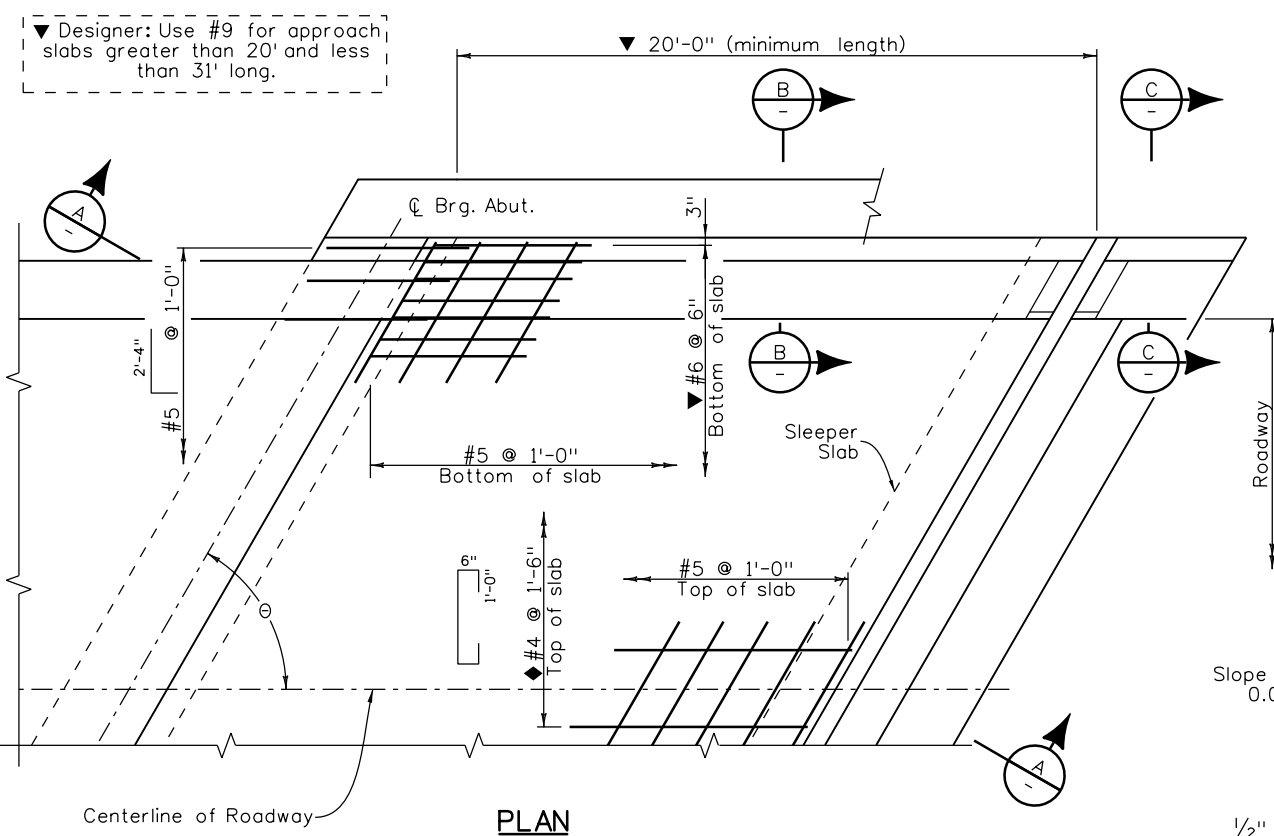


SECTION C

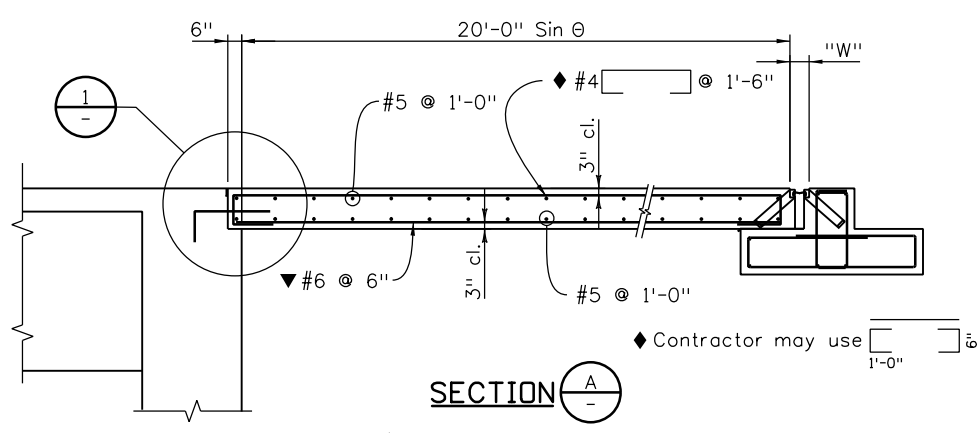


SLEEPER SECTION

Taken normal to expansion device

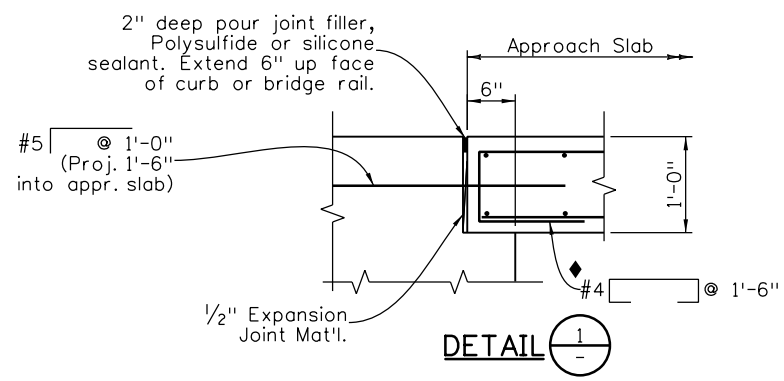


PLAN



SECTION A

With concrete roadway slab



DETAIL 1

Revision Dates (Preliminary Stage Only)	
11/99	5/00
4/02	9/02
6/04	3/07
10/13	01/14

Design		Detail		Quantities	
INITIAL	DATE	INITIAL	DATE	INITIAL	DATE
XXX	MM/YY	XXX	MM/YY	XXX	MM/YY
Designed By	Checked By	Detailed By	Checked By	Quantities By	Checked By
XXX	XXX	XXX	XXX	XXX	XXX

Print Date: 6/26/2015

File Name: Sheet_B-601-1EC.dgn

Horiz. Scale: NTS Vert. Scale: As Noted

Staff Bridge Branch - Unit 022X Unit Leader Initials

Sheet Revisions		
Date:	Comments	Init.

Colorado Department of Transportation

4201 East Arkansas Avenue
Room 107
Denver, CO 80222
Phone: 303-757-9309 FAX: 303-757-9197

Staff Bridge Branch **Initials**

As Constructed
No Revisions:
Revised:
Void:

APPROACH SLAB DETAILS CONCRETE W/ 0"-4" JOINT			
Designer:	XXXXXXXX	Structure	X-XX-XX
Detailer:	XXXXXXXX	Numbers	X-XX-XX
Sheet Subset:	BRIDGE	Subset Sheets:	BXX of XXX

Project No./Code
Project Number
Code
Sheet Number