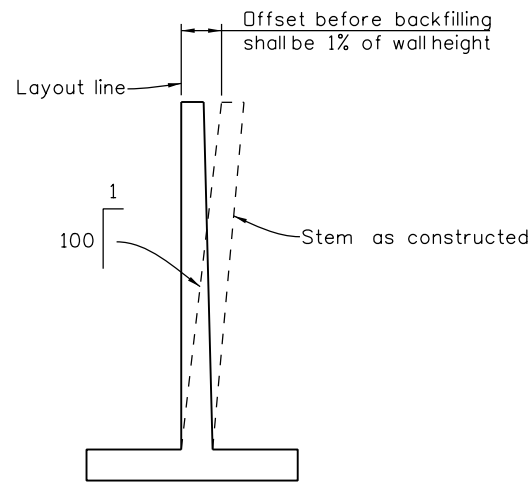
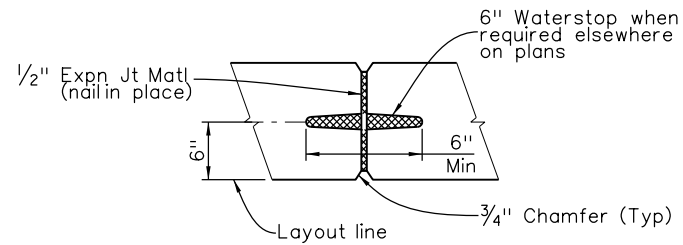


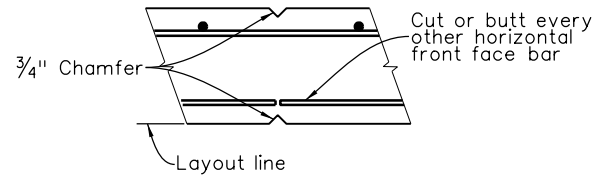
Revision Dates (Preliminary Stage Only)				
3/99	11/99	5/00	4/02	3/07
				7/10
				10/13
				3/23



WALL OFFSETS

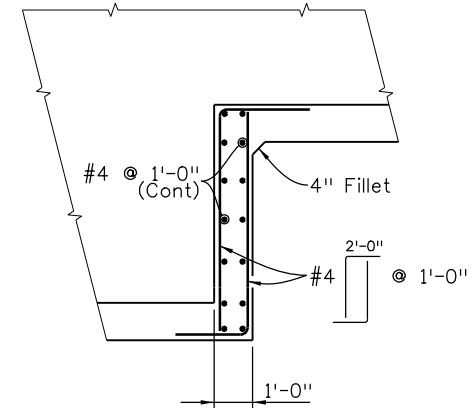


EXPANSION JOINT

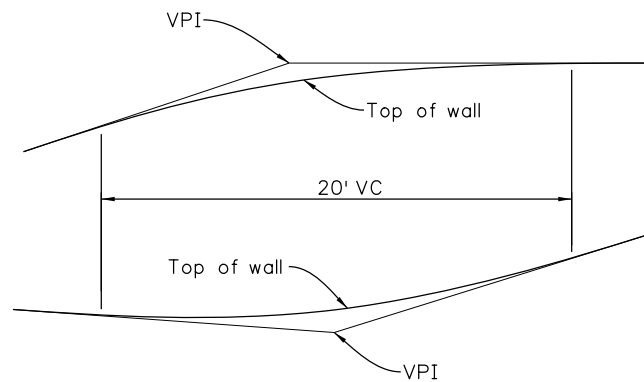


WEAKENED PLANE

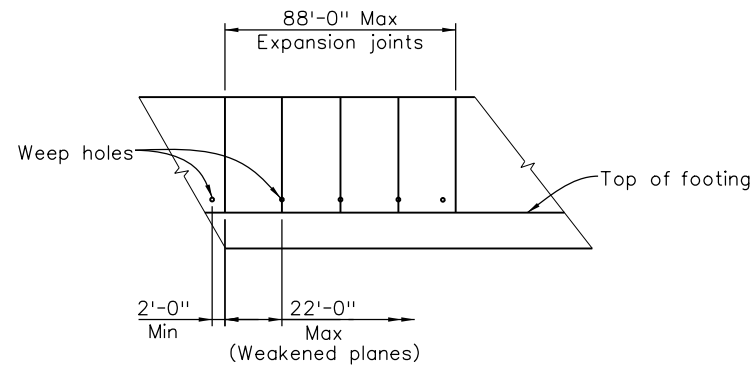
@ 22'-0" Max



FOOTING STEP

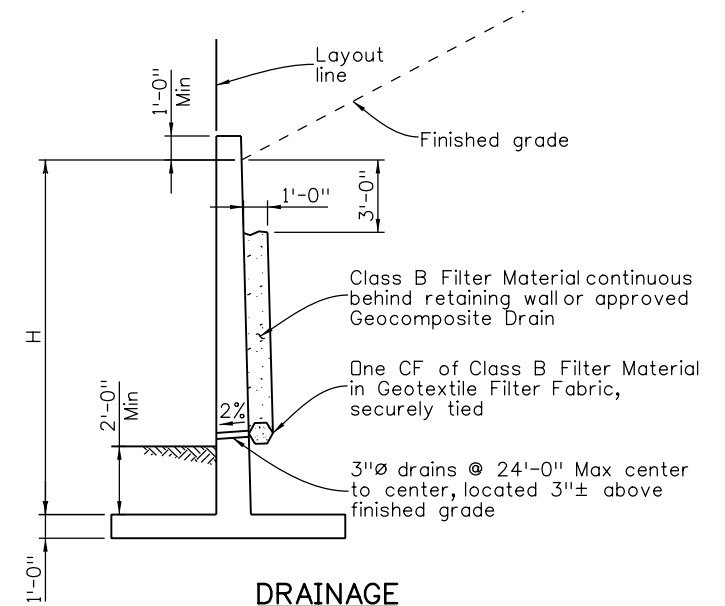


20' VERTICAL CURVE AT TOP OF WALL SLOPE CHANGE



WALL EXPANSION JOINTS AND WEAKENED PLANES

Do not extend joints through footing



DRAINAGE

Not required when H is ≤ 6'

Drainage items shown not quantified in the Summary of Quantities will not be paid for separately but shall be included in the cost of the work.

INITIALS	DESIGN	DATE	DETAIL	DATE	QUANTITY	DATE
By						
Checked By						

All seals for this set of drawings are applied to the cover page(s)	Print Date: \$DATE\$	Sheet Revisions			Colorado Department of Transportation 2829 West Howard Place, 3rd Floor Denver, CO 80204 Phone: 303-512-4079 FAX: 303-757-9197 Staff Bridge Branch	As Constructed No Revisions: Revised: Void:	RETAINING WALL DETAILS				Project No./Code
	File Name: Sheet_B-601-3.dgn	Date:	Comments	Init.			Project Number				
	Horiz. Scale: Not to Scale Vert. Scale: As Noted						Designer: XXXXXXXX	Structure Numbers	X-XX-XX	Code	
	Unit Information Unit Leader Initials						Detailer: XXXXXXXX	Subset Sheets: BXX of XXX			Sheet Number