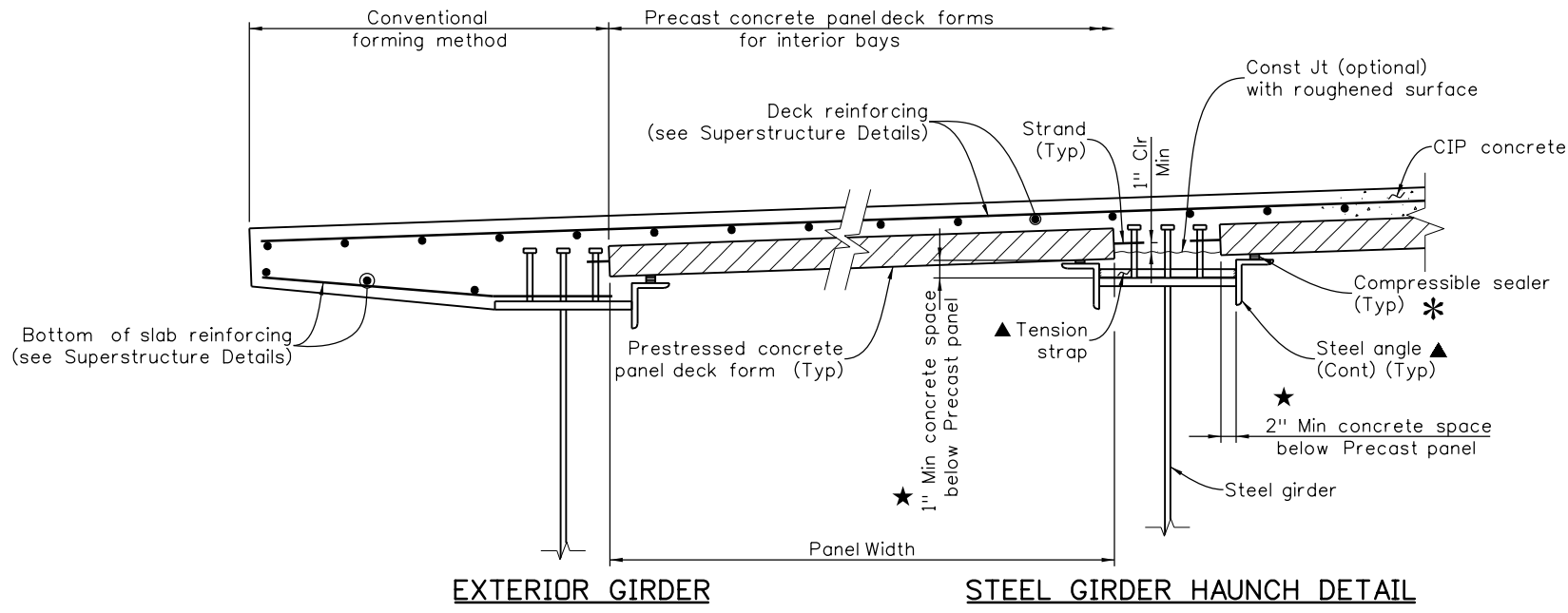
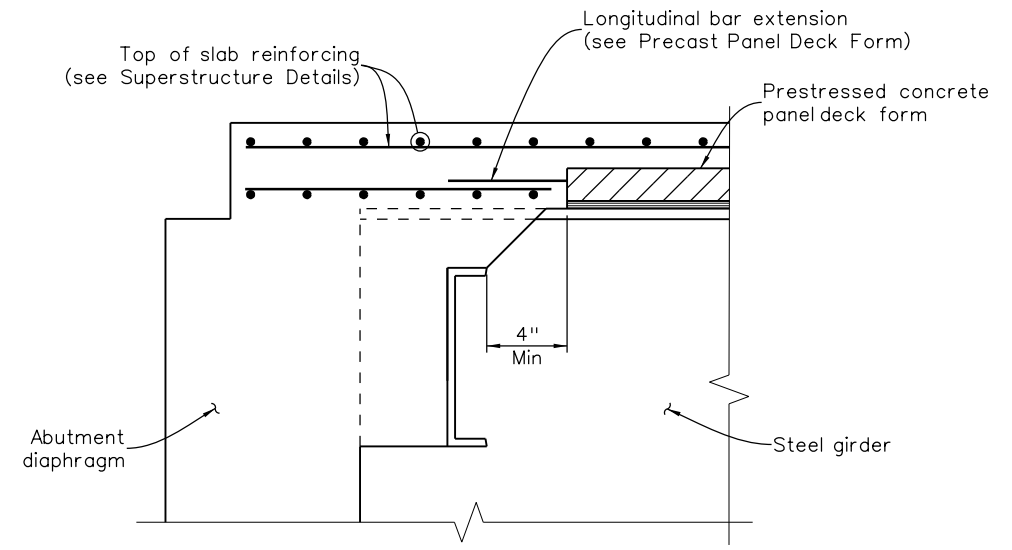


Revision Dates	3/94	3/99	11/99	4/02	3/07	10/13	12/20	3/23

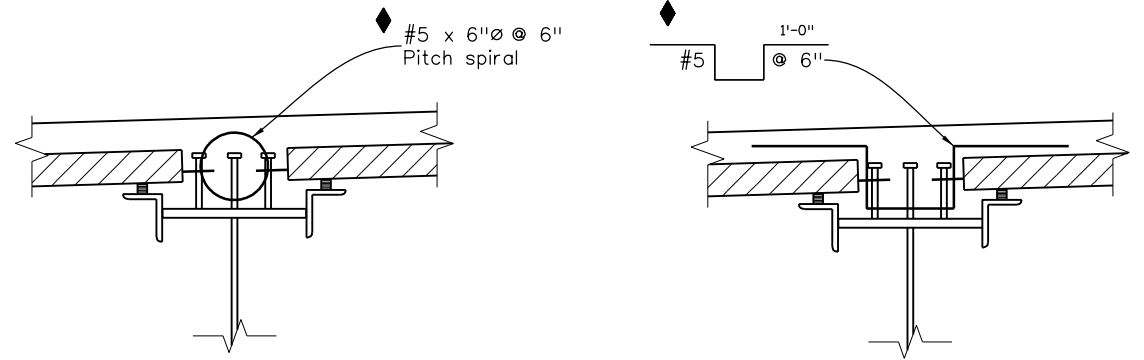
INITIALS	DESIGN	DATE	DETAIL	DATE	QUANTITY	DATE



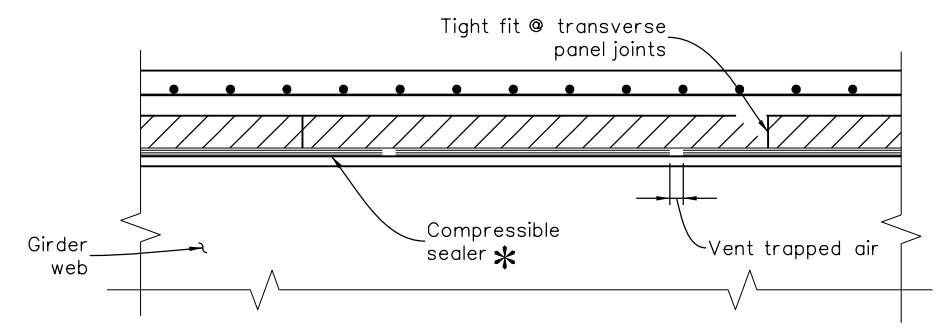
EXTERIOR GIRDER STEEL GIRDER HAUNCH DETAIL



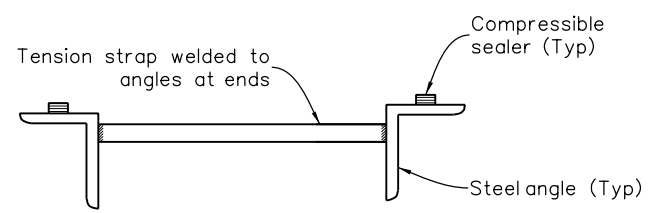
SECTION AT ABUTMENT



REINFORCING DETAIL ALTERNATES
(Either one may be used)



SECTION THRU TRANSVERSE PANEL JOINTS



▲ PANEL SUPPORT DETAIL

LEGEND:

- ▲ The angles, tension straps and compressible sealer material are shown for illustration and show only one potential method of support. No field welding to the girders or shear studs shall be allowed. Panels shall be secured to the angle supports with an approved adhesive/sealant as required for stability and sealing. The Contractor is responsible for the design of the panel support system and the stability of the deck panels during installation and deck pour.
- * Compressible sealer shall be resilient, and continuous, support material such as expansion joint material, or medium density styrene or urethane foam.
- ◆ Required when longitudinal stud spacing is less than 1'-0", and shall be epoxy coated.
- ★ The minimum required dimensions to ensure concrete flow under panel for complete bearing.

All seals for this set of drawings are applied to the cover page(s)	Print Date: \$DATE\$	Sheet Revisions			Colorado Department of Transportation 2829 West Howard Place, 3rd Floor Denver, CO 80204 Phone: 303-512-4079 FAX: 303-757-9197 	As Constructed		PRECAST PANEL DECK FORM		Project No./Code	
	File Name: Sheet_B-601-5S.dgn	Date:	Comments	Init.		No Revisions:			Project Number		
	Horiz. Scale: Not to Scale Vert. Scale: As Noted					Revised:	Designer: XXXXXXXX	Structure Numbers	X-XX-XX	Code	
	Unit Information Unit Leader Initials					Void:	Detailer: XXXXXXXX	Subset Sheets: BXX of XXX	Sheet Number		

Staff Bridge Branch Initials