

NOTES:

- All tubes shall be ASTM A1085. All posts, base plates, and splice tubes fabricated by welding shall be ASTM A572 Grade 50. All other steel shall be Grade 36 unless otherwise noted.
- The above material and all anchor bolts and miscellaneous bolts, nuts, and washers shall be galvanized after fabrication in accordance with Section 509. Concrete, reinforcing steel, and structural steel elements shall conform to the requirements of Sections 601 & 606, 602 and 509, respectively unless noted otherwise.
- All bolts that have lock washers shall be tightened to snug only.
- The top, inside and end faces of the transition shall receive a coating conforming to - Item 515, Concrete Sealer, compatible with the sealer used on the deck concrete.
- Payment will be made under item 606, Transition Type BR10B-GR3, for all anchor bolts, miscellaneous bolts, nuts, washers, tubes, tube expansion devices, studs, concrete (Class D with Macrofiber), reinforcing steel, and concrete sealer. Excavation and backfill will not be paid for separately, but shall be included in the work.
- Prior to fabrication of this item, an electronic PDF which complies with the requirements of section 105, shall be submitted to the Engineer for information only.
- All longitudinal reinforcement shall terminate with standard stirrup hooks as shown. Rotate or adjust reinforcing hooks to avoid interferences as required.
- Transitions shall be constructed tapering perpendicular to bridge cross slope (Bridgerail beyond coverplate) to plumb (3G/3H side). Vertical dimensions are perpendicular to the longitudinal roadway grade.
- The Thrie Beam connection/post of type 3G or 3H shall be adjusted or rotated to match the transition plate.
- Rotate and adjust rebar at back face to avoid interference as required.

INFORMATION ONLY

| DESCRIPTION | UNIT | QUANTITY |
|----------------------------------|------|----------|
| Concrete Sealer | SY | 5.5 |
| Structural Steel (Galvanized) | LB | 135 |
| Concrete Class D with Macrofiber | CY | 1.7 |
| Reinforcing Steel (Epoxy Coated) | LB | 259 |

DESIGN DATA

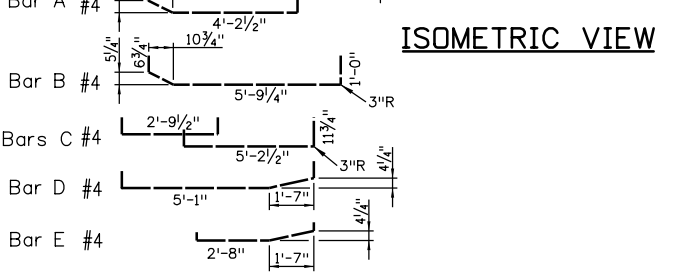
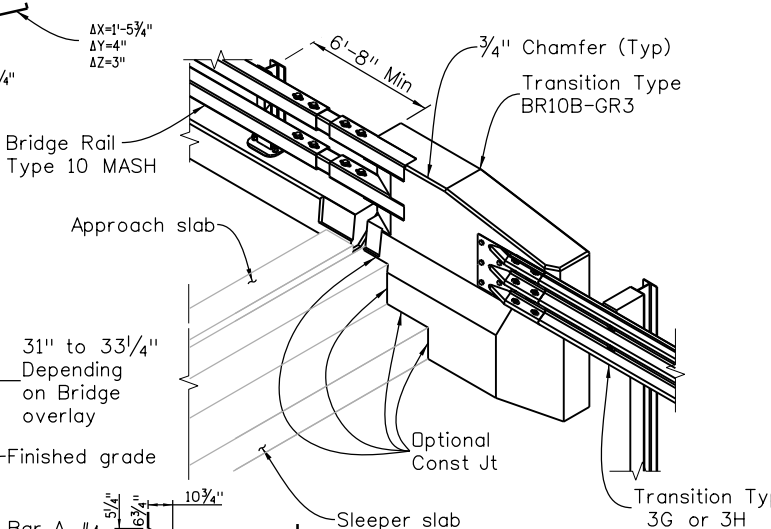
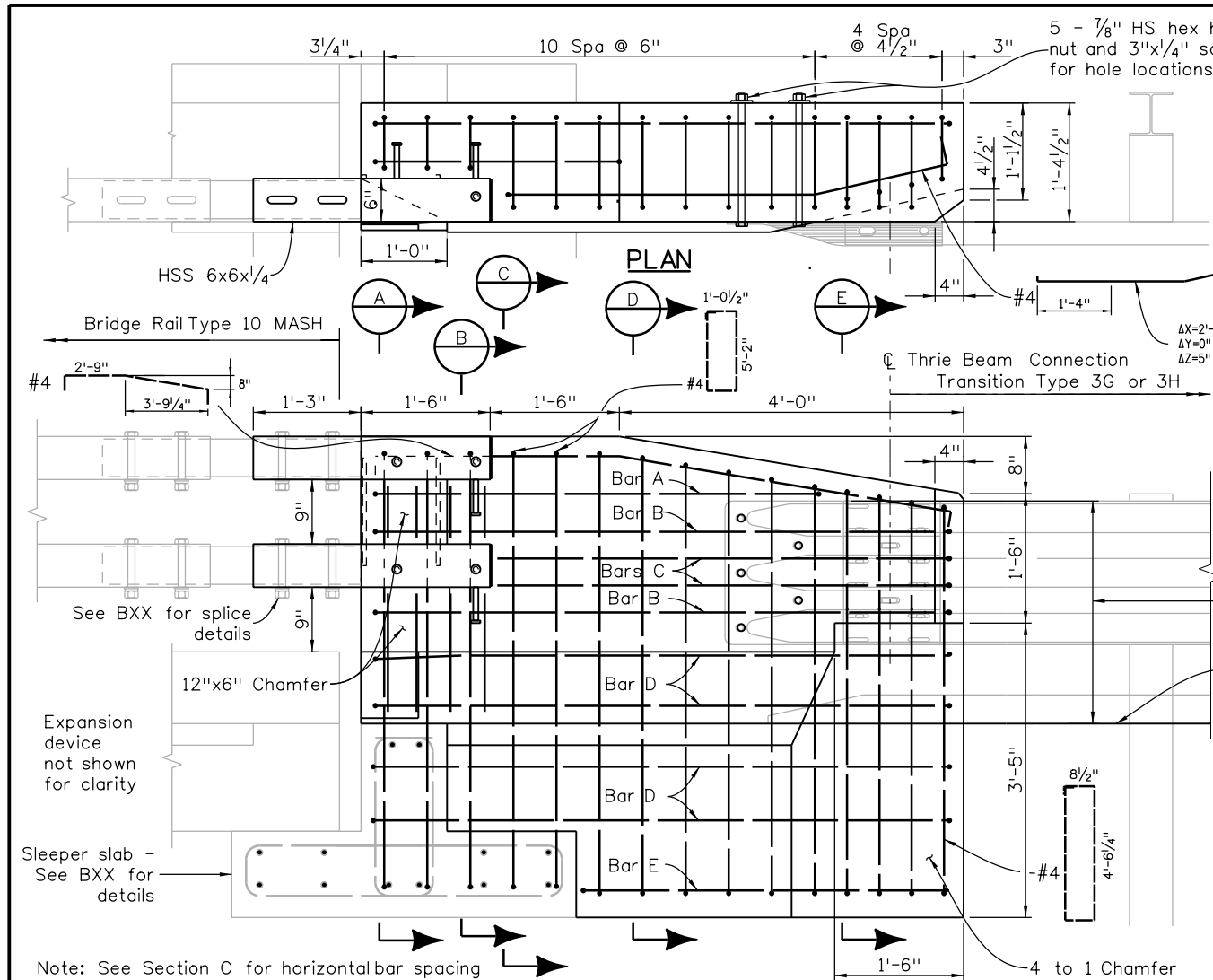
Structural Steel:
 AASHTO M270 Gr 36 (ASTM A709 Gr 36) $f_y = 36$ KSI
 AASHTO M270 Gr 50 (ASTM A992/A572 Gr 50) $f_y = 50$ KSI
 ASTM A1085 $f_y = 50$ KSI

Concrete: Class D with Macrofiber: $f'_c = 4.5$ KSI

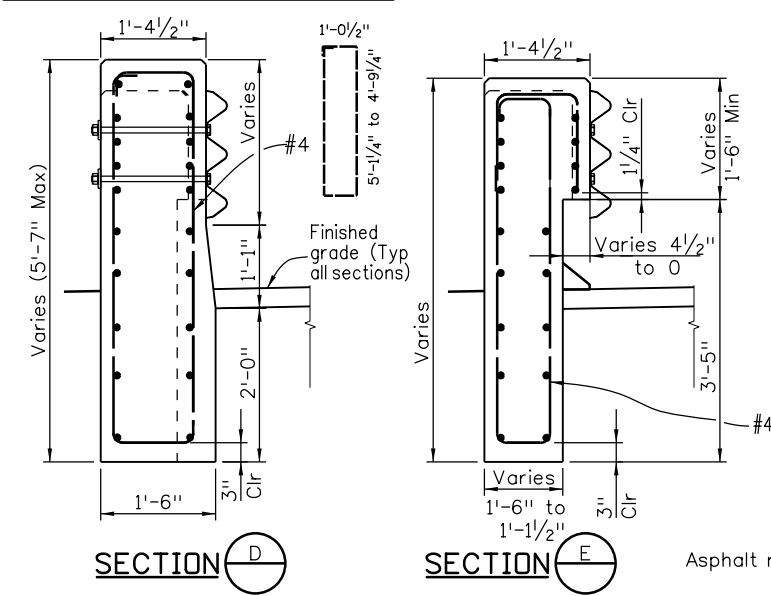
Reinforcing Steel: $f_y = 60$ KSI Min

All reinforcing bends shown shall use a 4D pin diameter.

Designer/Detailer: Any changes to barrier shape or reinforcing shall be approved by Staff Bridge.



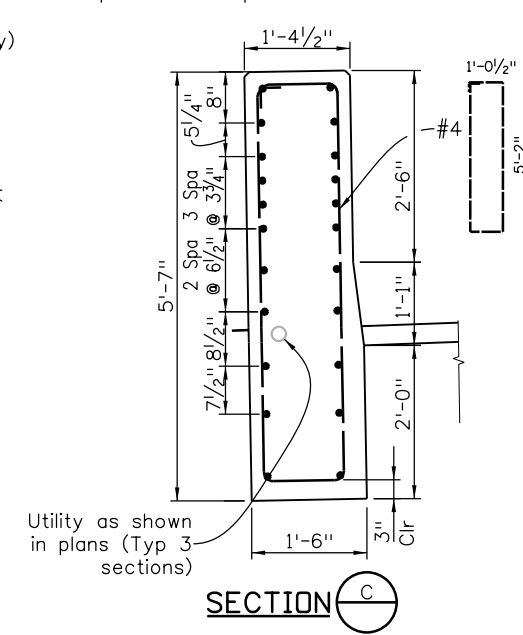
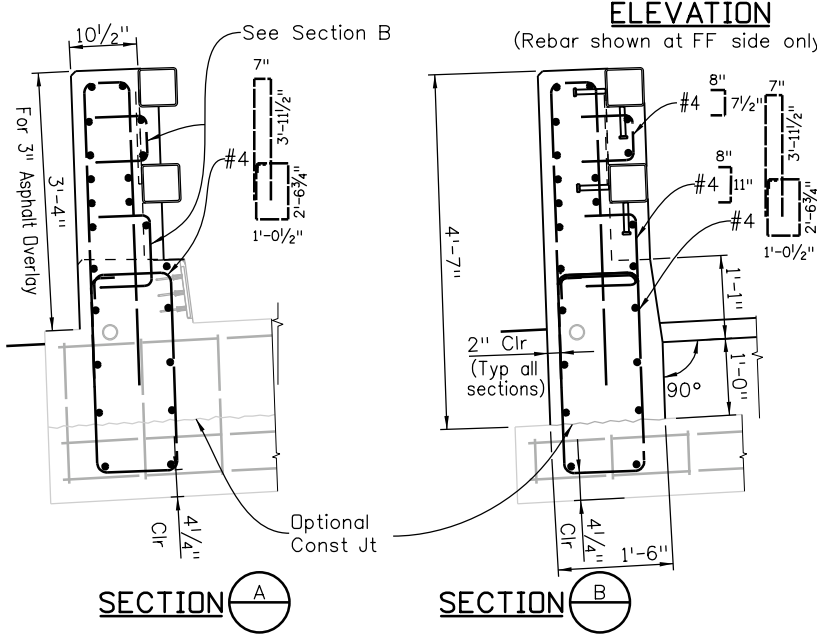
REINFORCING DIMENSIONS



Revision Dates (Preliminary Stage Only)

| | | | | | |
|-------|------|-------|------|------|------|
| 12/19 | 1/20 | 12/21 | 5/22 | 7/22 | 3/23 |
|-------|------|-------|------|------|------|

| INITIALS | DESIGN | DATE | DETAIL | DATE | QUANTITY | DATE |
|------------|--------|------|--------|------|----------|------|
| By | | | | | | |
| Checked By | | | | | | |



| | | | | | | | | | |
|---|--|------------------------|-----------|--|--|--|----------------------------|------------------|----------------|
| All seals for this set of drawings are applied to the cover page(s) | Print Date: \$DATE\$ | Sheet Revisions | | <p>Colorado Department of Transportation 2829 West Howard Place, 3rd Floor Denver, CO 80204 Phone: 303-512-5989 Phone: FAX: 303-757-9197</p> | As Constructed No Revisions: Revised: Void: | TRANSITION TYPE BR10B-GR3 SHEET 1 | | Project No./Code | |
| | File Name: Sheet_B-606-10MASHC.dgn | Date: | Comments: | | | | | Init.: | Project Number |
| | Horiz. Scale: Not to Scale Vert. Scale: As Noted | | | | | Designer: XXXXXXXX | Structure Numbers: X-XX-XX | Code | |
| | Unit Information | Unit Leader Initials | | | | Detailer: XXXXXXXX | Subset Sheets: BXX of XXX | Sheet Number | |