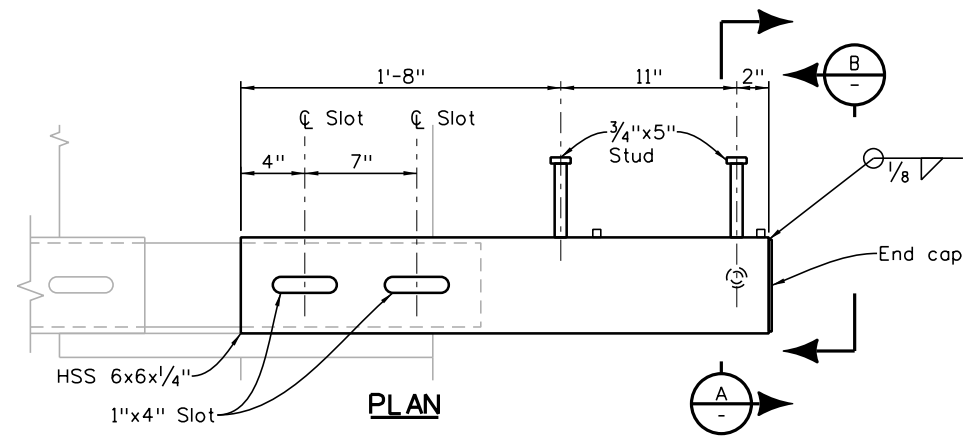


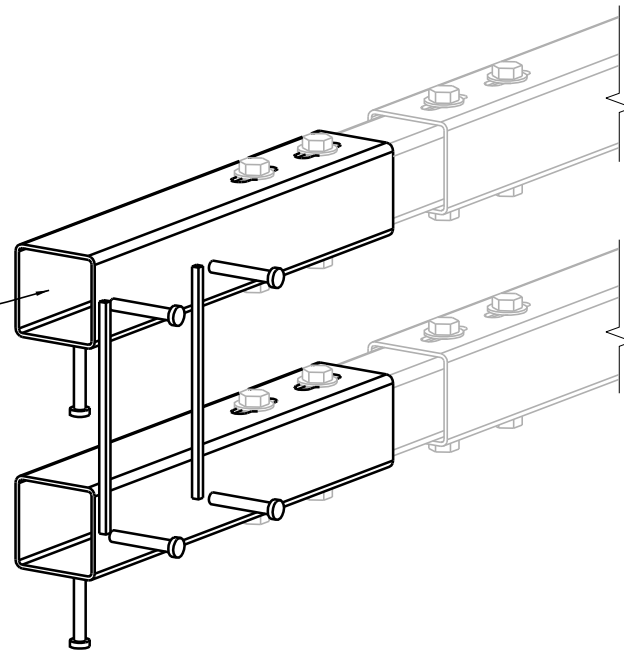
12/19	1/20	5/22	7/22	3/23	9/24
Revision Dates					

INITIALS	DESIGN	DATE	DETAIL	DATE	QUANTITY	DATE
By						
Checked By						

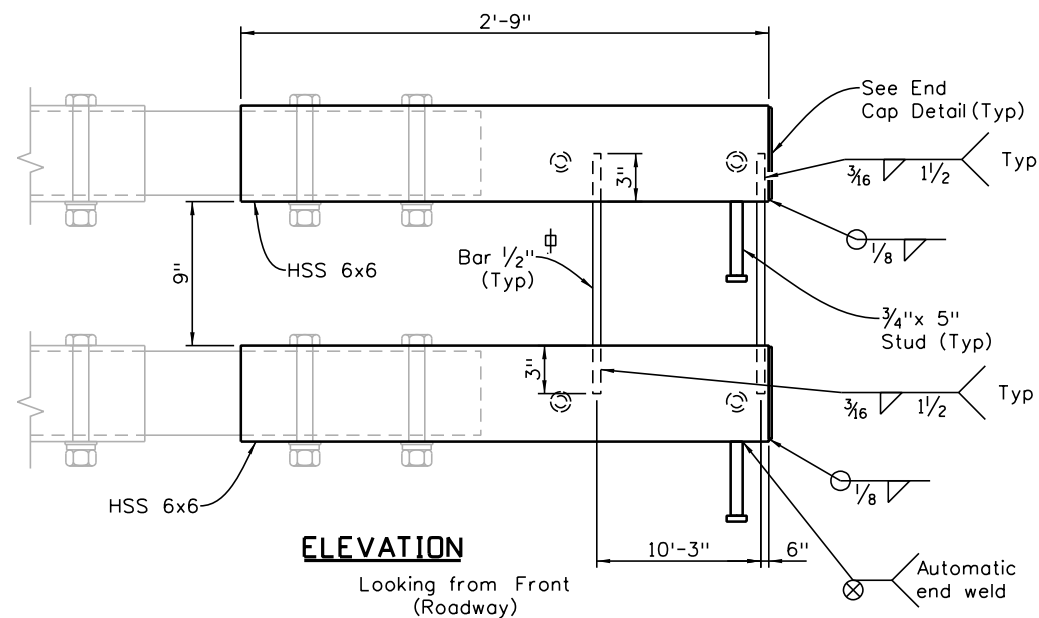


**PLAN**

End caps not shown for clarity

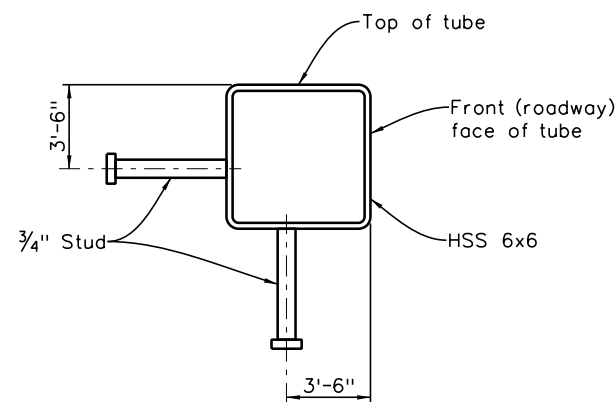


**ISOMETRIC VIEW**

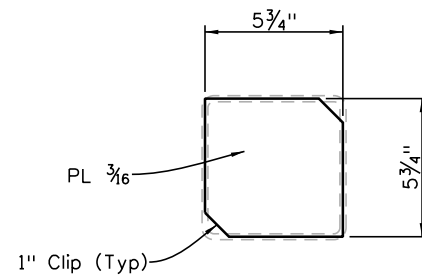


**ELEVATION**

Looking from Front (Roadway)



**SECTION A-A**

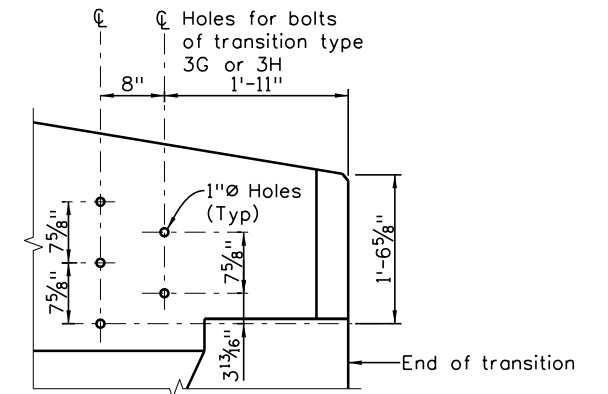


**VIEW B-B  
END CAP DETAIL**

**B-606-10MASH D**  
(Use with B-606-10MASH & B-606-10MASH C)

**NOTES:**

1. See BXX Bridge Rail Type 10 MASH for General Notes and details not shown.



**HOLE LOCATION DIAGRAM**

**DETAIL 1**

Note: Holes shall be cored through concrete or 1" inside diameter full depth inserts placed before concrete placement.

All seals for this set of drawings are applied to the cover page(s)

Print Date: \$DATE\$  
File Name: Sheet\_B-606-10MASHD.dgn  
Horiz. Scale: None Vert. Scale: As Noted  
Unit Information Unit Leader Initials

Sheet Revisions		
Date:	Comments	Init.

**Colorado Department of Transportation**

2829 West Howard Place, 3rd Floor  
Denver, CO 80204  
Phone: 303-512-4079  
FAX: 303-757-9197

**Staff Bridge Branch**

As Constructed
No Revisions:
Revised:
Void:

TRANSITION TYPE BR10B-GR3 SHEET 2 TUBE DETAILS			
Designer:	XXXXXXXX	Structure	X-XX-XX
Detailer:	XXXXXXXX	Numbers	X-XX-XX
Sheet Subset:	BRIDGE	Subset Sheets:	BXX of XXX

Project No./Code
Project Number
Code
Sheet Number