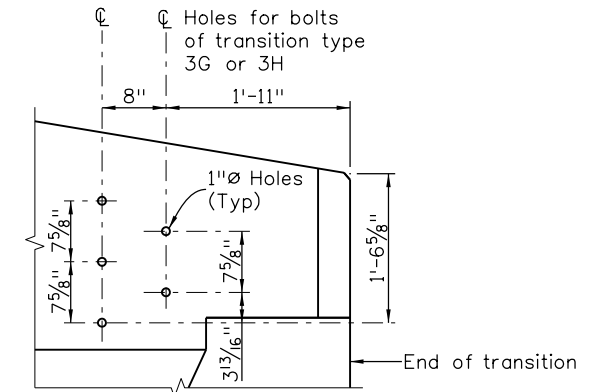


NOTES:

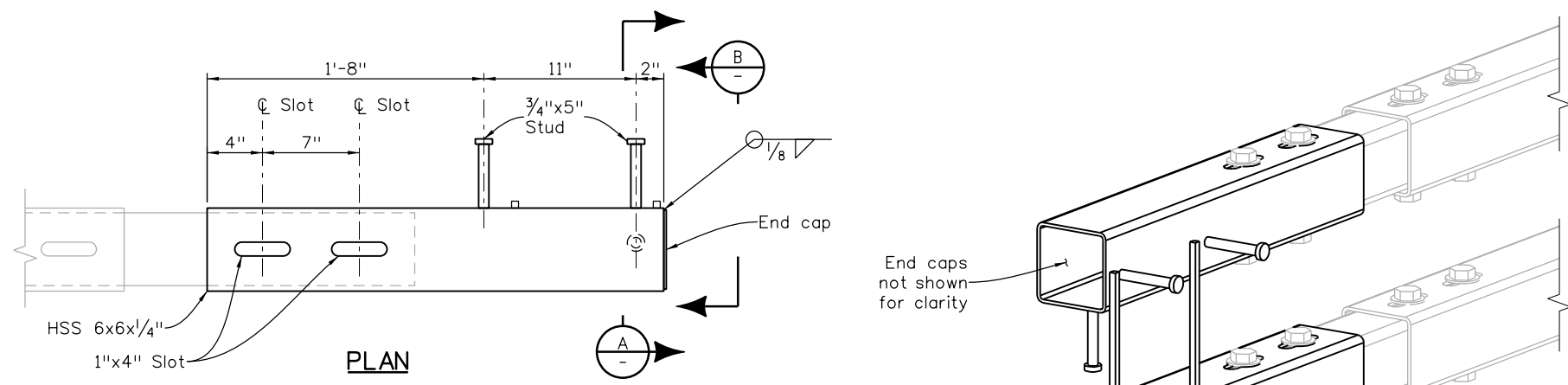
- See BXX Bridge Rail Type 10 MASH for General Notes and details not shown.



Note: Holes shall be cored through concrete or 1" inside diameter full depth inserts placed before concrete placement.

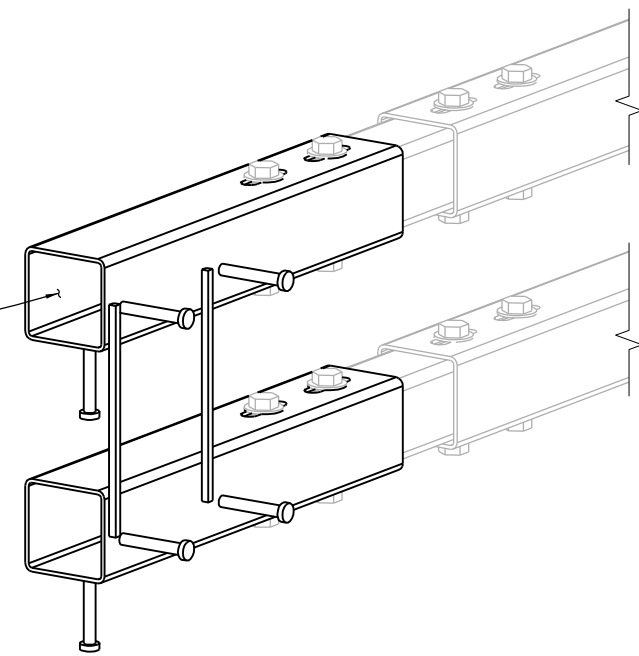
HOLE LOCATION DIAGRAM

DETAIL 1

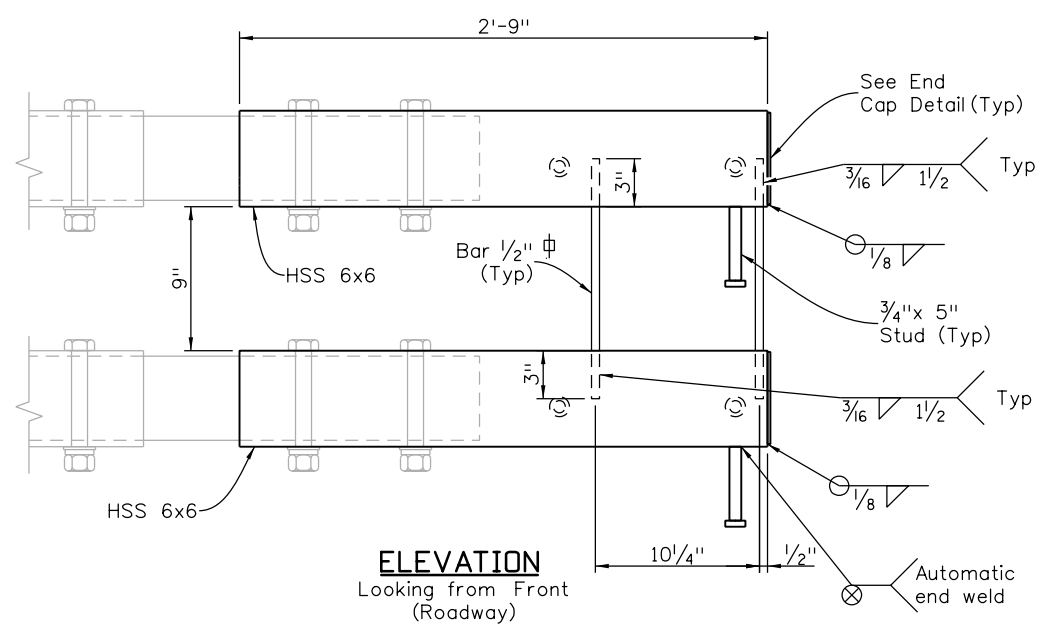


PLAN

End caps not shown for clarity

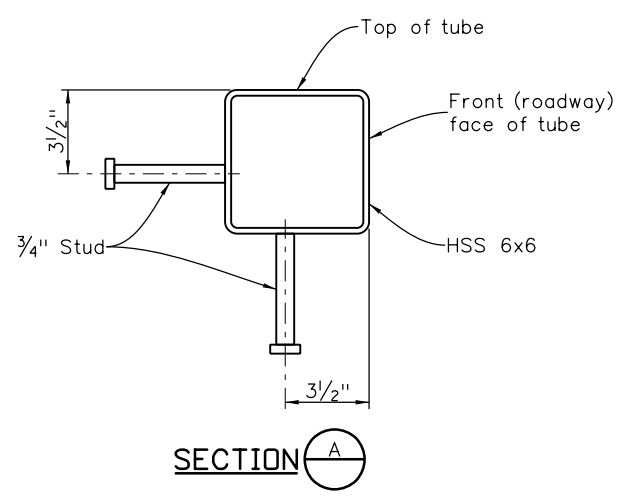


ISOMETRIC VIEW

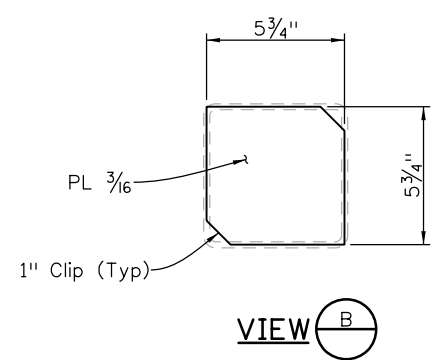


ELEVATION

Looking from Front (Roadway)



SECTION A-A



**VIEW B-B
END CAP DETAIL**

Revision Dates	(Preliminary Stage Only)
12/19	1/20
5/22	7/22
3/23	

INITIALS	DESIGN	DATE	DETAIL	DATE	QUANTITY	DATE
By						
Checked By						

All seals for this set of drawings are applied to the cover page(s)	Print Date: \$DATE\$ File Name: Sheet_B-606-10MASHD.dgn Horiz. Scale: Not to Scale Vert. Scale: As Noted Unit Information Unit Leader Initials	Sheet Revisions <table border="1" style="width:100%; border-collapse: collapse;"> <thead> <tr> <th>Date:</th> <th>Comments</th> <th>Init.</th> </tr> </thead> <tbody> <tr><td> </td><td> </td><td> </td></tr> <tr><td> </td><td> </td><td> </td></tr> <tr><td> </td><td> </td><td> </td></tr> </tbody> </table>	Date:	Comments	Init.										Colorado Department of Transportation 2829 West Howard Place, 3rd Floor Denver, CO 80204 Phone: 303-512-5989 Phone: FAX: 303-757-9197 Staff Bridge Branch	As Constructed No Revisions: Revised: Void:	TRANSITION TYPE BR10B-GR3 SHEET 2 TUBE DETAILS	Project No./Code Project Number Code Sheet Number
	Date:	Comments	Init.															
				Designer: XXXXXXXX Structure Numbers: X-XX-XX Detailer: XXXXXXXX Subset Sheets: BXX of XXX														
		Initials																