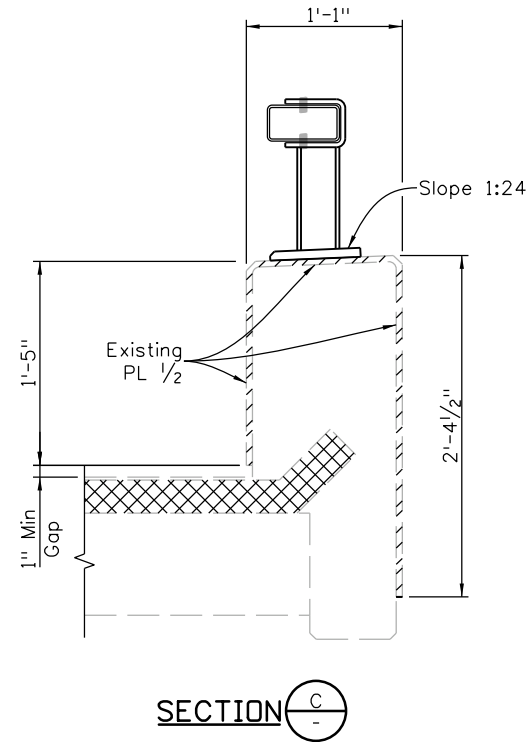


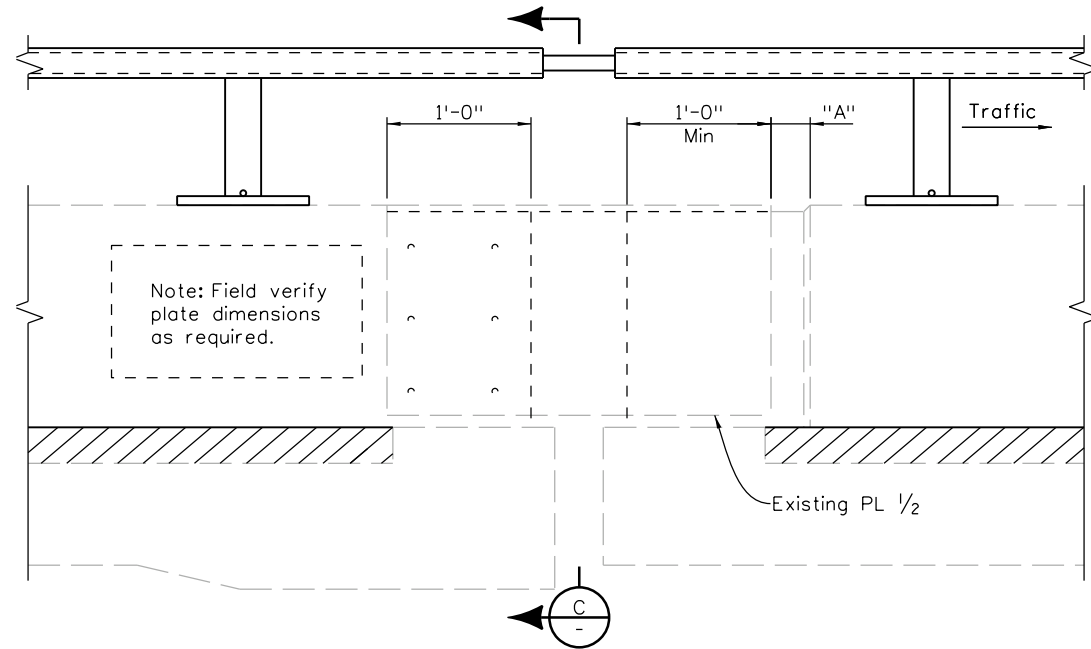
potta 10:01:07 AM \\public\bridge\COMMON\BRIDGE\PendingWork\need to move document owners file\Pending Worksheets\...Worksheet\_L\_in\_Progress\B-606-8RMASH\Sheet\_B-606-8RMASHB.dgn

Revision	Stage	Date
6/19		3/23
11/23	(Preliminary Stage Only)	

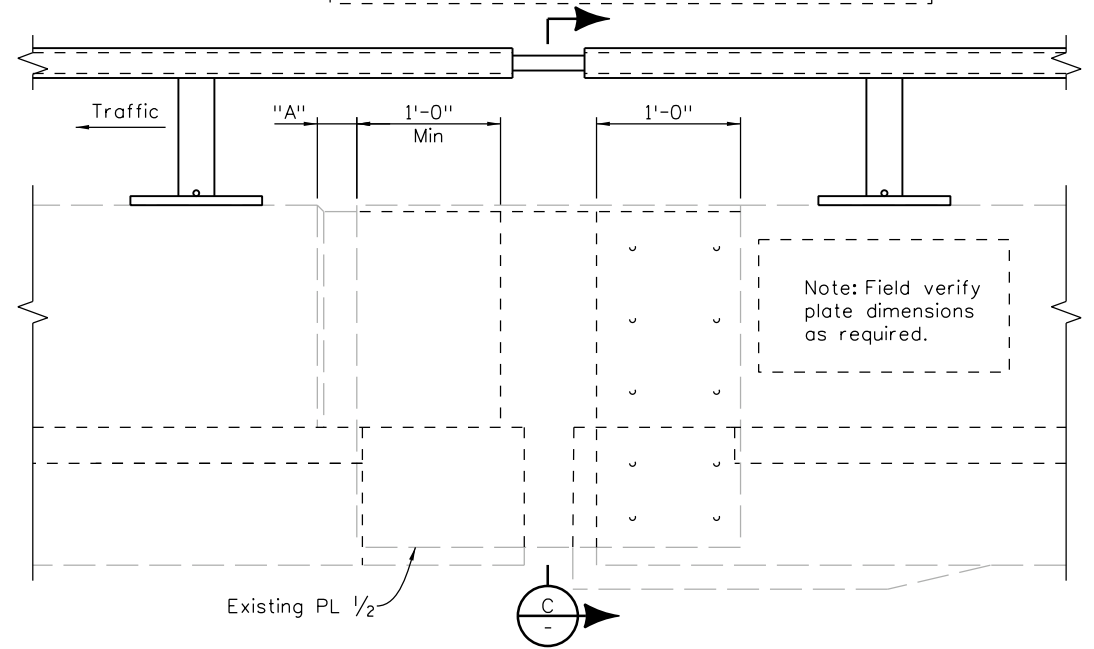
INITIALS	DESIGN	DATE	DETAIL	DATE	QUANTITY	DATE
By						
Checked By						



**SECTION C**

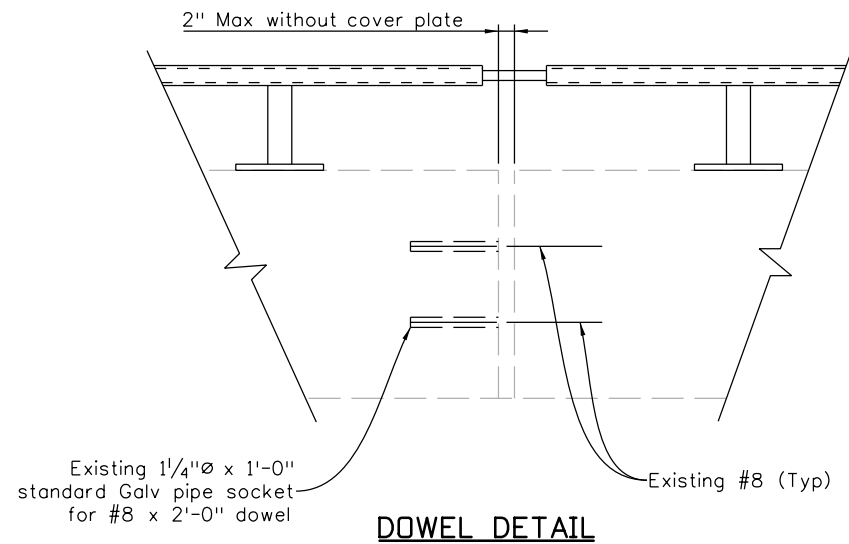


**ELEVATION**  
Traffic side



**ELEVATION**  
Outside

**BRIDGE RAIL COVER PLATE**



**DOWEL DETAIL**

Designer:  
These barrier details have been MASH tested to TL-3 level only. No changes shall be made without approval.  
These details are primarily intended for replacing Type 8 rail within Glenwood Canyon.  
Provide plate dimensions and bolt locations if replacing plates. Use additional Pay Item.

**B-606-8RMASHB**  
(Use with B-606-8RMASHA)

**NOTES:**

- For "A" Dimension refer to BRIDGE RAIL TYPE 8R MASH (1 OF 2).

All seals for this set of drawings are applied to the cover page(s)	Print Date: 10/30/2023	<b>Sheet Revisions</b>			Colorado Department of Transportation		<b>As Constructed</b>		<b>BRIDGE RAIL TYPE 8R MASH (2 OF 2)</b>		Project No./Code	
	File Name: Sheet_B-606-8RMASHB.dgn	Date:	Comments	Init.	2829 West Howard Place, 3rd Floor Denver, CO 80204 Phone: 303-512-4079 FAX: 303-757-9197		No Revisions:		Structure		Project Number	
	Horiz. Scale: Not to Scale Vert. Scale: As Noted						Revised:		Numbers		Code	
	Unit Information Unit Leader Initials						Void:		Subset Sheets: BXX of XXX		Sheet Number	
					<b>Staff Bridge Branch</b>		<b>Initials</b>					