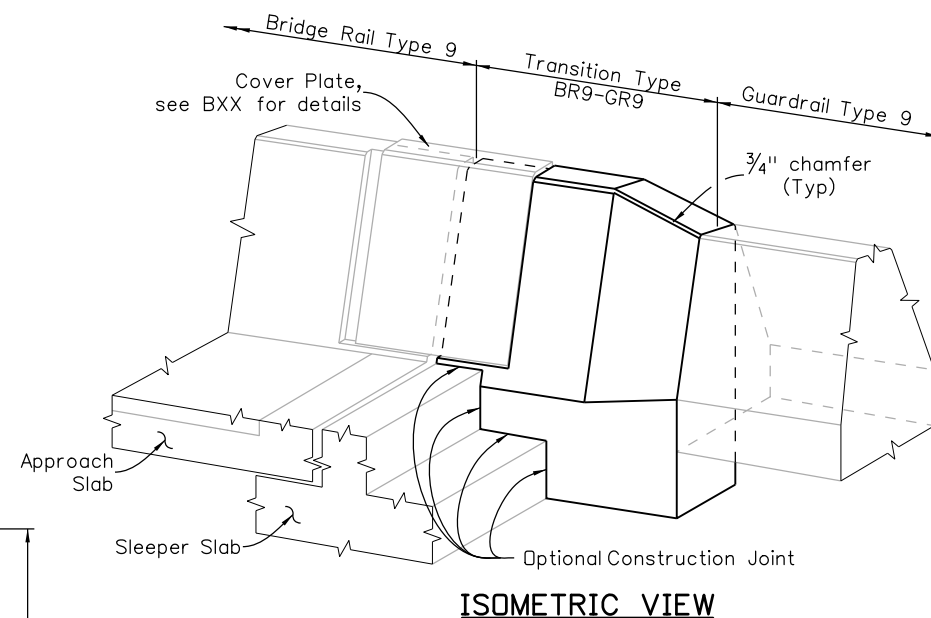


B-606-9 A
(Use with B-606-9)

NOTES:

1. Payment will be made under item 606, Transition Type BR9-GR9, consisting of Concrete (Class D with Macrofiber), reinforcing steel, and concrete sealer. Excavation and backfill will not be paid for separately, but shall be included in the work.
2. Cover plate shall be included in cost of Bridge Expansion Device.
3. Transitions shall be constructed tapering perpendicular to bridge cross slope (Bridgerail side beyond coverplate) to plumb (3G/3H side). Vertical dimensions are perpendicular to the longitudinal roadway grade.
4. The top and inside face of the transition rail shall receive a coating conforming to Item 515, Concrete Sealer compatible with the concrete coating/stain shown in the plans.
5. Concrete and reinforcing steel shall conform to the requirements of Sections 601 & 606 and 602 respectively unless otherwise noted.
6. All longitudinal reinforcement shall terminate with standard stirrup hooks as shown. Rotate or adjust reinforcing hooks to avoid interferences as required.



DESIGN DATA:

Concrete:
Class D with Macrofiber
f'c = 4.5 ksi

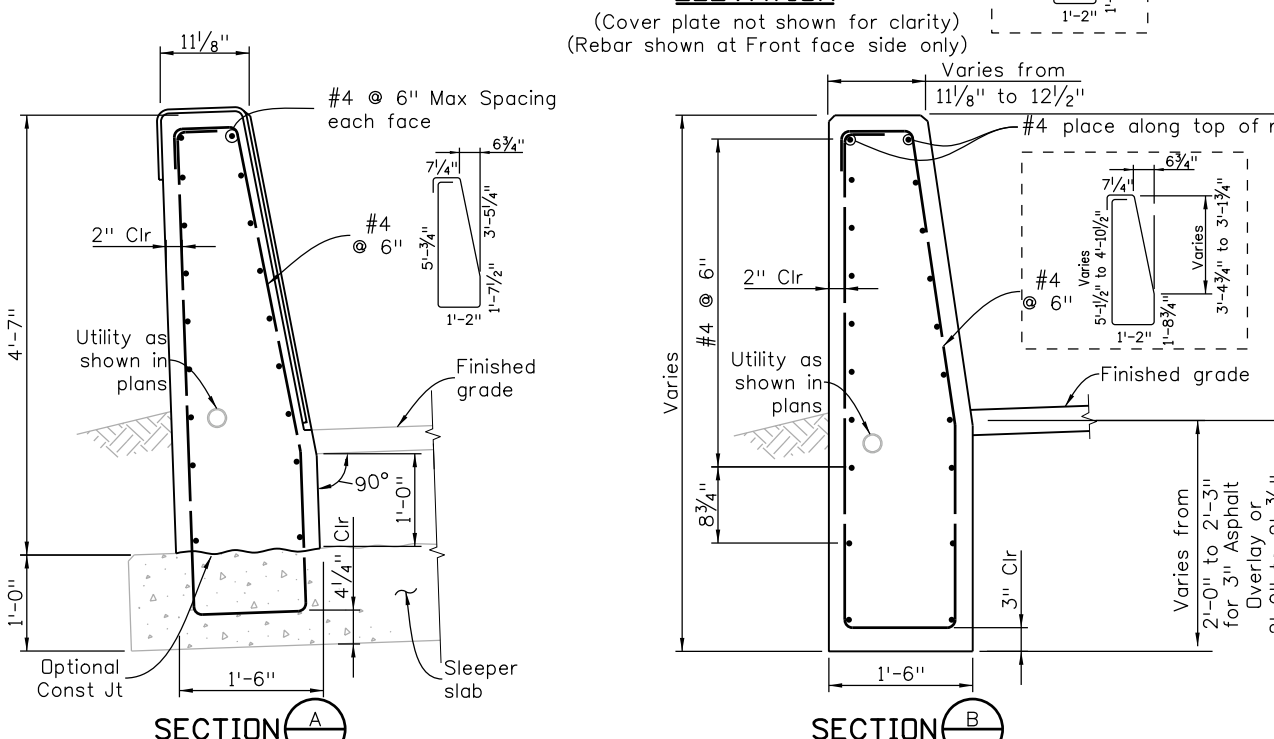
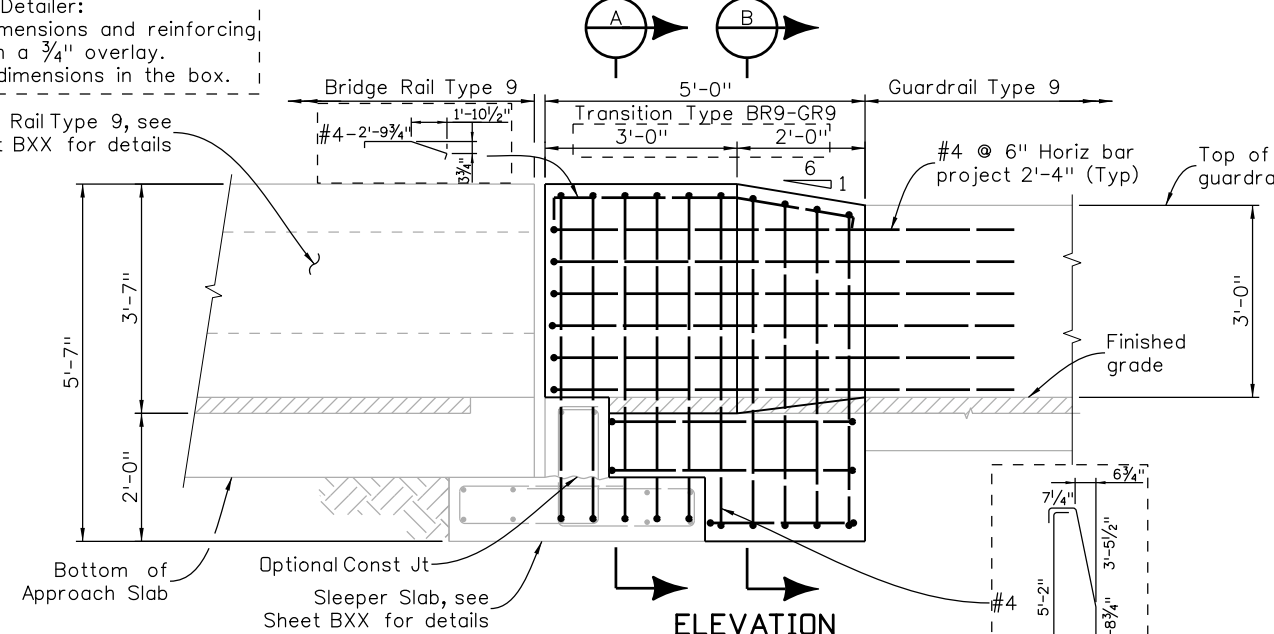
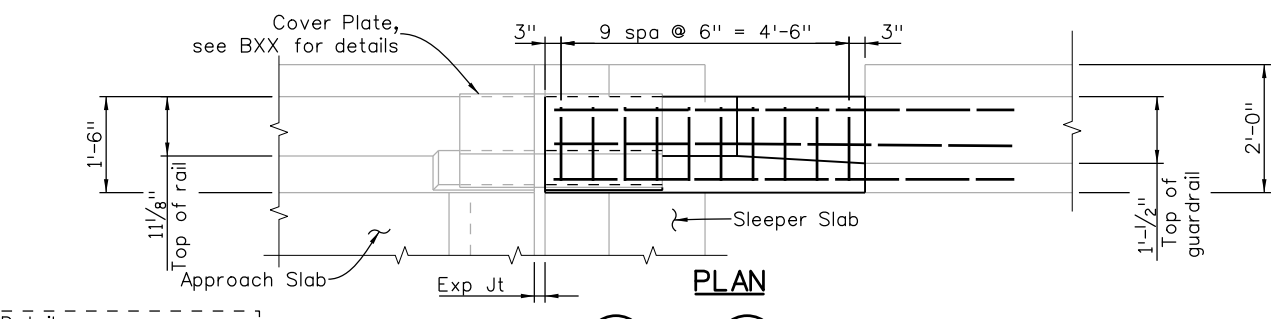
Reinforcing Steel:
fy = 60 ksi min

All reinforcing bends shown shall use a 4D pin diameter.

INFORMATION ONLY

Description	Unit	Each
Concrete Sealer	SY	3.2
Concrete Class D with Macrofiber	CY	1.2
Reinforcing Steel (Epoxy Coated)	LB	167

Note: Reinforcing Dimensions and quantities given for 3" overlay



Revision Dates	(Preliminary Stage Only)
12/19	1/20
12/19	5/22
12/19	7/22

INITIALS	DESIGN	DATE	DETAIL	DATE	QUANTITY	DATE
By						
Checked By						

Print Date: \$DATE\$
File Name: Sheet_B-606-9_A.dgn
Horiz. Scale: 1:1 Vert. Scale: As Noted
Unit Information Unit Leader Initials

Sheet Revisions		
Date:	Comments	Init.

Colorado Department of Transportation
2829 West Howard Place, 3rd Floor
Denver, CO 80204
Phone: 303-512-5989
Phone: FAX: 303-757-9197

Staff Bridge Branch

As Constructed
No Revisions:
Revised:
Void:

**TRANSITION TYPE BR9 - GR9
HEADER VERSION**

Designer: XXXXXXXX Structure: X-XX-XX
Detailer: XXXXXXXX Numbers: X-XX-XX
Sheet Subset: BRIDGE Subset Sheets: BXX of XXX

Project No./Code
Project Number
Code
Sheet Number

All seals for this set of drawings are applied to the cover page(s)

\$PLOT_INFO\$