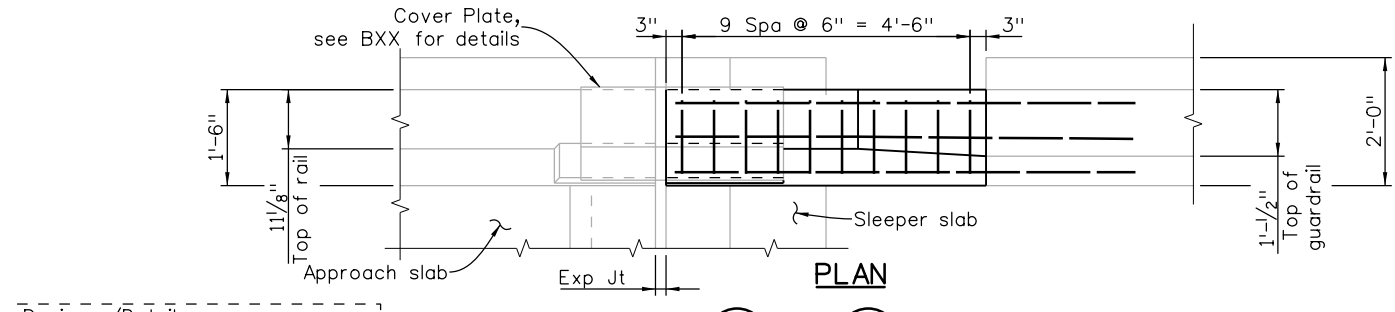


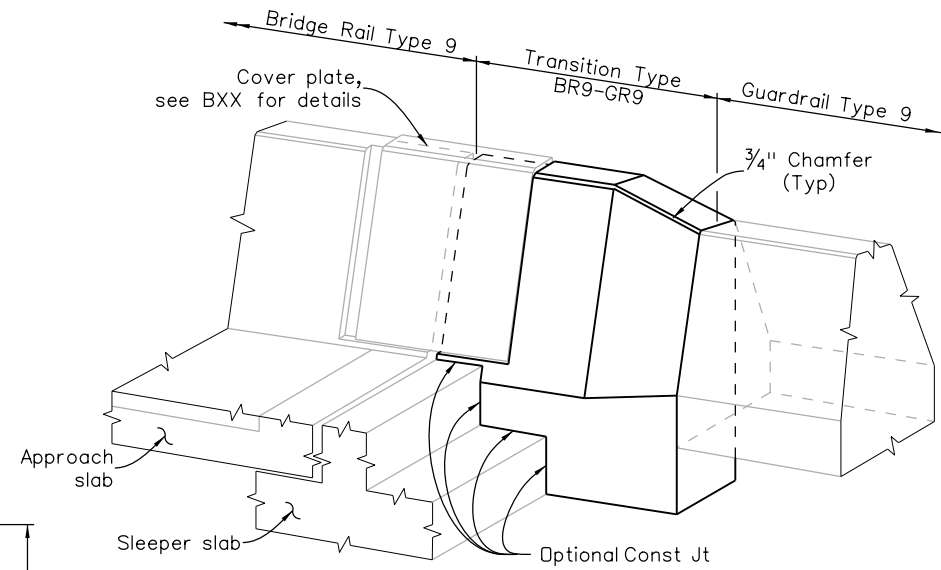
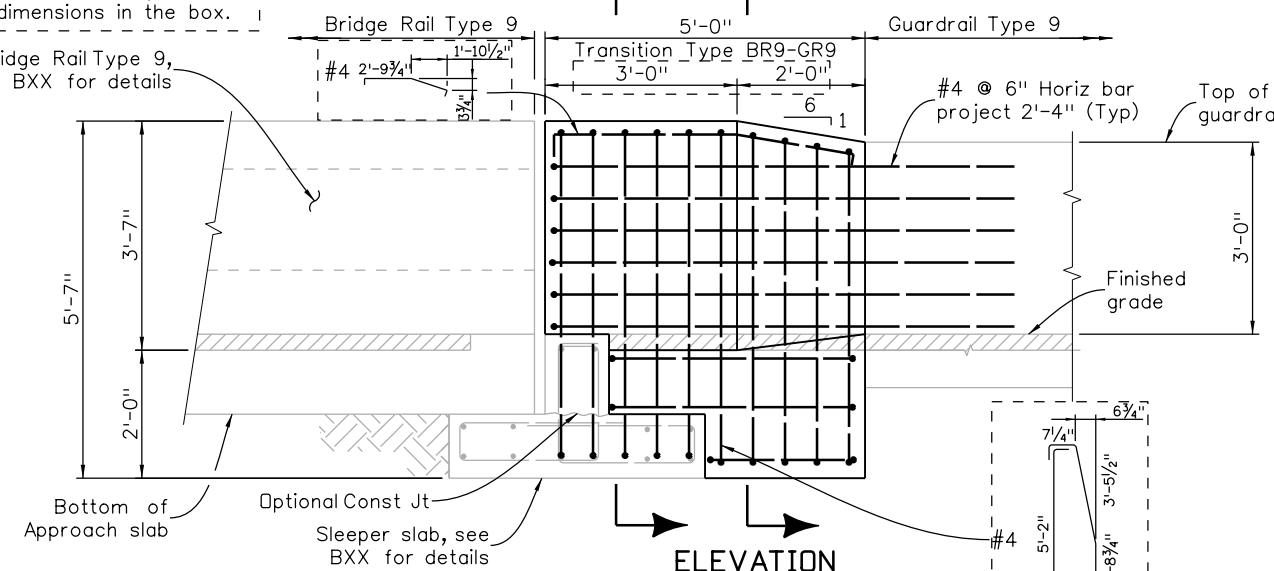
NOTES:

1. Payment will be made under item 606, Transition Type BR9-GR9, consisting of Concrete Class D with Macrofiber, reinforcing steel, and concrete sealer. Excavation and backfill will not be paid for separately, but shall be included in the work.
2. Cover plate shall be included in cost of Bridge Expansion Device.
3. Transitions shall be constructed tapering perpendicular to bridge cross slope (Bridge rail side beyond coverplate) to plumb (3G/3H side). Vertical dimensions are perpendicular to the longitudinal roadway grade.
4. The top and inside face of the transition rail shall receive a coating conforming to Item 515, Concrete Sealer, compatible with the concrete coating/stain shown in the plans.
5. Concrete and reinforcing steel shall conform to the requirements of Sections 601 & 606 and 602 respectively unless otherwise noted.
6. All longitudinal reinforcement shall terminate with standard stirrup hooks as shown. Rotate or adjust reinforcing hooks to avoid interferences as required.

Revision Dates	(Preliminary Stage Only)
12/19	12/19
12/19	1/20
7/22	5/22
3/23	7/22



Designer/Detailer:
 Revise dimensions and reinforcing rebar with a 3/4" overlay.
 See the dimensions in the box.



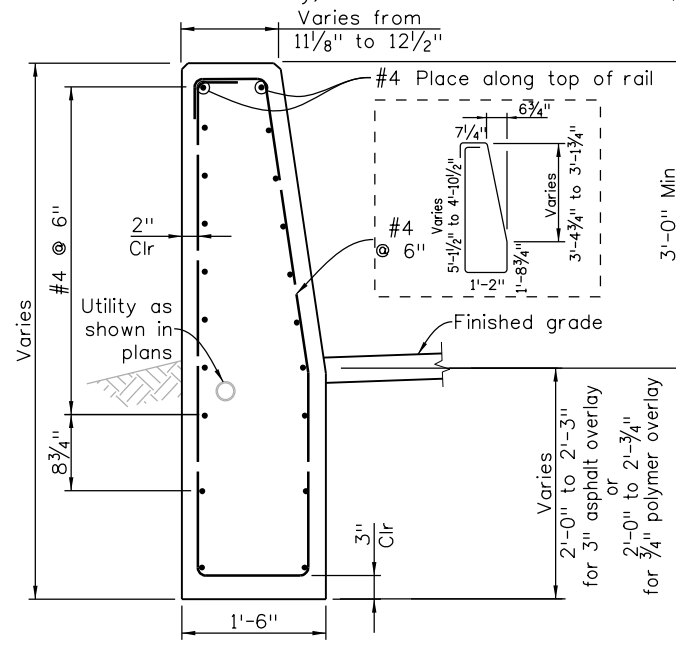
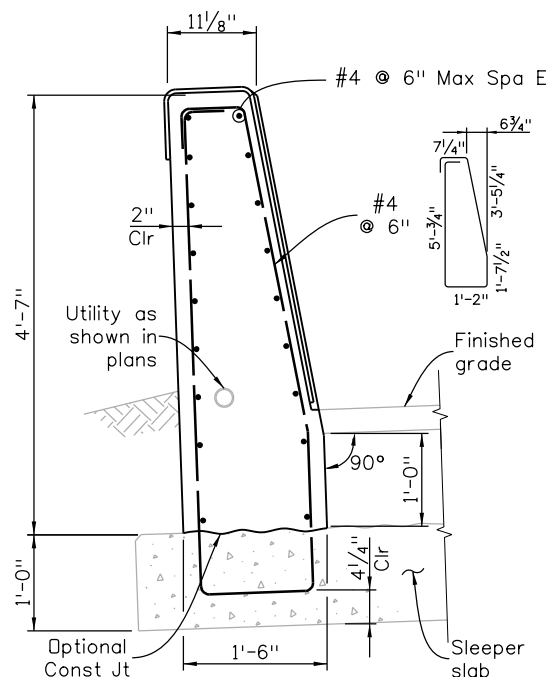
DESIGN DATA:

Concrete:
 Class D with Macrofiber f'c = 4.5 KSI

Reinforcing Steel: fy = 60 KSI Min

All reinforcing bends shown shall use a 4D pin diameter.

Designer/Detailer: Any changes to barrier shape or reinforcing shall be approved by Staff Bridge.



INITIALS	DESIGN	DATE	DETAIL	DATE	QUANTITY	DATE
By						
Checked By						

INFORMATION ONLY

Description	Unit	Each
Concrete Sealer	SY	3.2
Concrete Class D with Macrofiber	CY	1.2
Reinforcing Steel (Epoxy Coated)	LB	167

Note: Reinforcing Dimensions and quantities given for 3" overlay

All seals for this set of drawings are applied to the cover page(s)	Print Date: \$DATE\$	Sheet Revisions		Colorado Department of Transportation 2829 West Howard Place, 3rd Floor Denver, CO 80204 Phone: 303-512-5989 Phone: FAX: 303-757-9197	As Constructed No Revisions: Revised: Void:	TRANSITION TYPE BR9 - GR9 HEADER VERSION		Project No./Code	
	File Name: Sheet_B-606-9A.dgn	Date:	Comments					Init.	Project Number
Horiz. Scale: Not to Scale Vert. Scale: As Noted	Unit Information	Unit Leader Initials			Initials	Designer: XXXXXXXX	Structure Numbers: X-XX-XX	Code	
						Detailer: XXXXXXXX	Subset Sheets: BXX of XXX	Sheet Number	