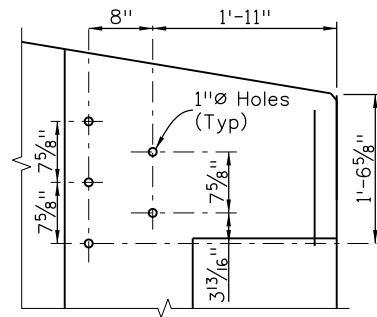
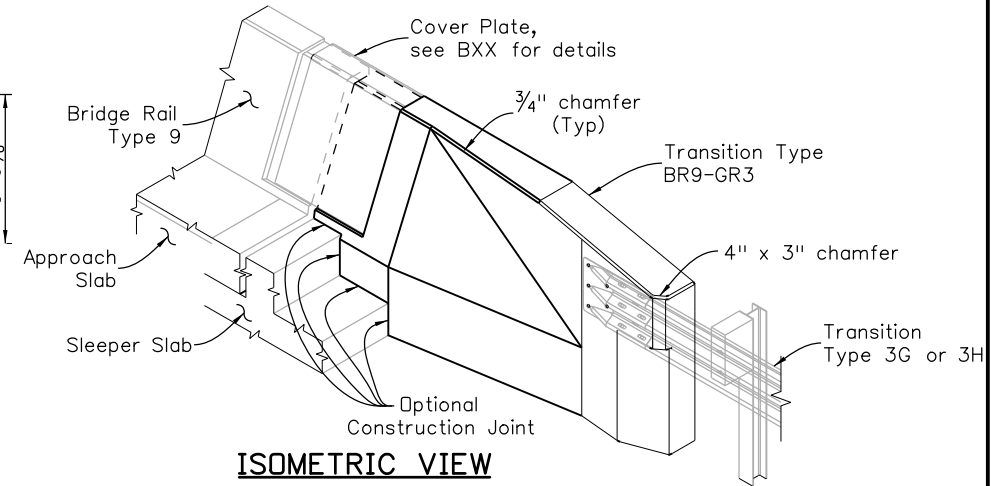


NOTES:

1. Payment will be made under item 606, Transition Type BR9-GR3, consisting of Concrete (Class D with Macrofiber), reinforcing steel, bolts, nuts, washers, and concrete sealer. Excavation and backfill will not be paid for separately, but shall be included in the work.
2. Cover plate shall be included in cost of Bridge Expansion Device.
3. Transitions shall be constructed tapering perpendicular to roadway cross slope. Vertical dimensions are perpendicular to the longitudinal roadway grade.
4. The top, end and inside face of the transition rail shall receive a coating conforming to Item 515, Concrete Sealer, compatible with the concrete coating/stain shown in the plans.
5. Concrete and reinforcing steel shall conform to the requirements of Sections 601 & 606 and 602 respectively unless otherwise noted.
6. All longitudinal reinforcement shall terminate with standard stirrup hooks as shown. Rotate or adjust reinforcing hooks to avoid interferences as required.
7. Rotate or adjust rebars at backface to avoid interference as required.



Note: Holes shall be cored through concrete or 1" inside diameter full depth inserts placed before concrete placement.



ISOMETRIC VIEW

REINFORCING DIMENSIONS



INFORMATION ONLY

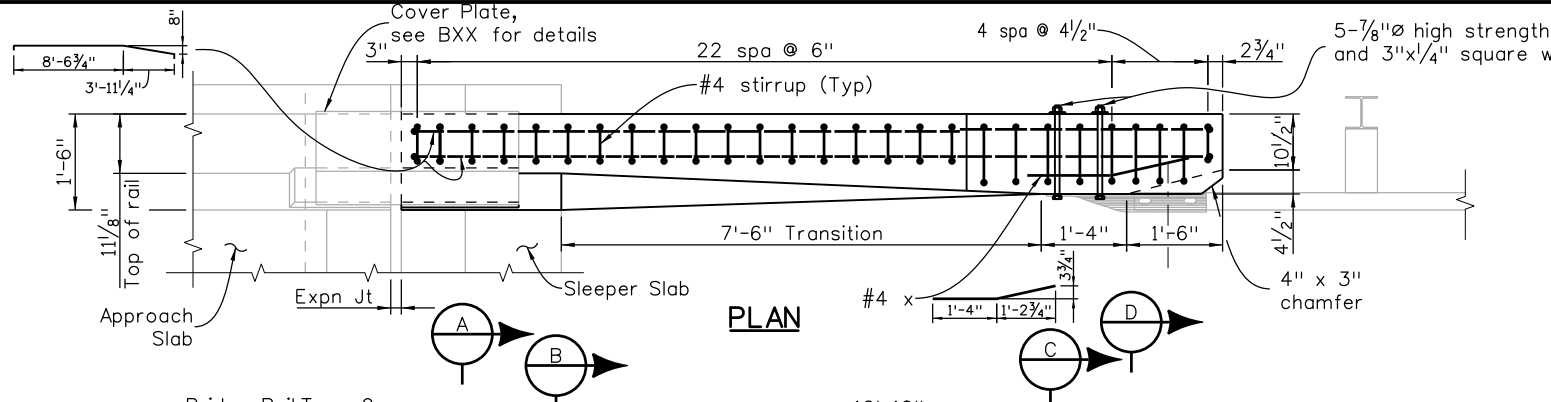
Description	Unit	Each
Structural Steel (Galvanized)	LB	19
Concrete Sealer	SY	9.6
Concrete Class D with Macrofiber	CY	3.1
Reinforcing Steel (Epoxy Coated)	LB	414

DESIGN DATA:

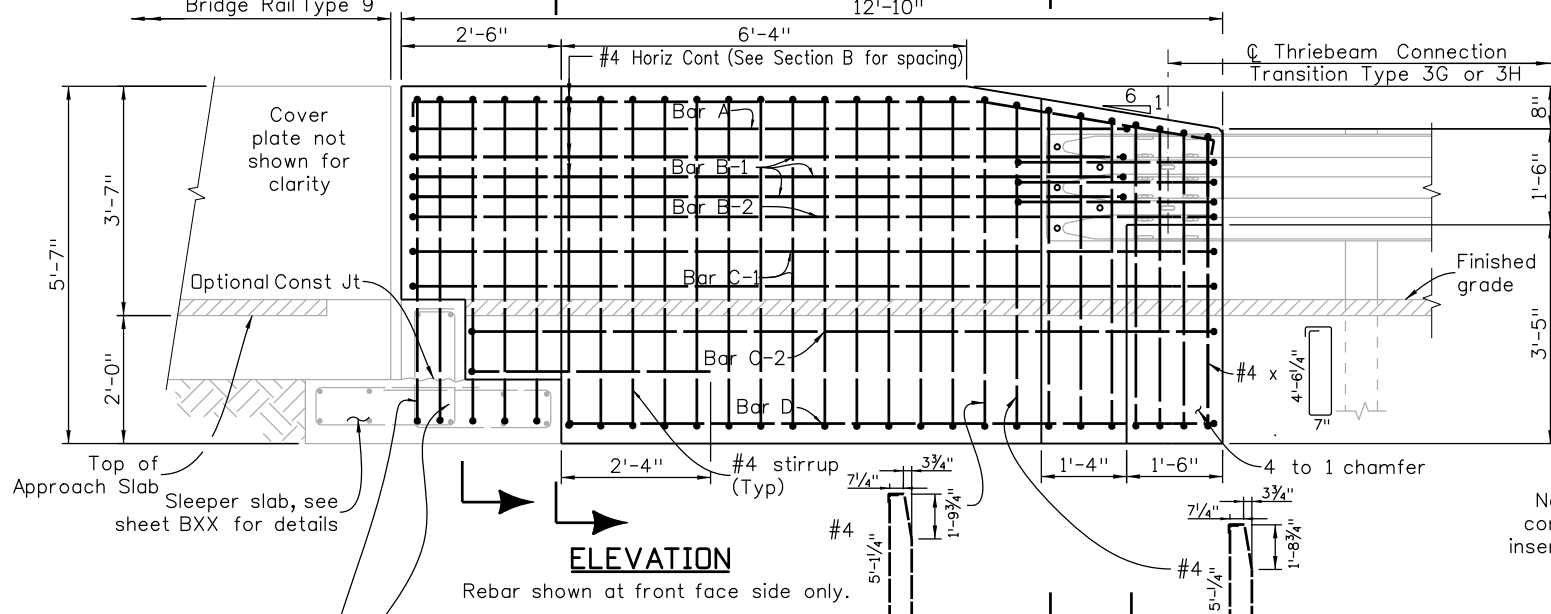
Reinforcing Steel:
fy = 60 ksi Min

Concrete: Class D with Macrofiber f'c = 4.5 ksi

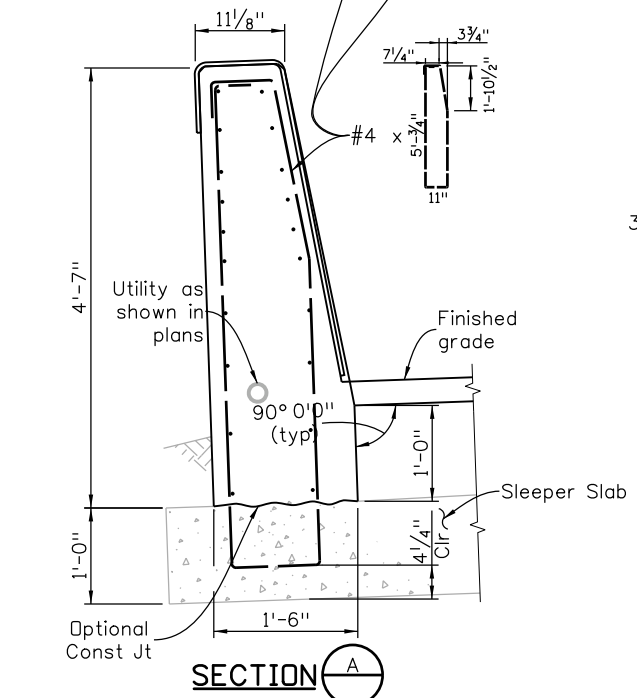
All reinforcing bends shown shall use a 4D pin diameter.



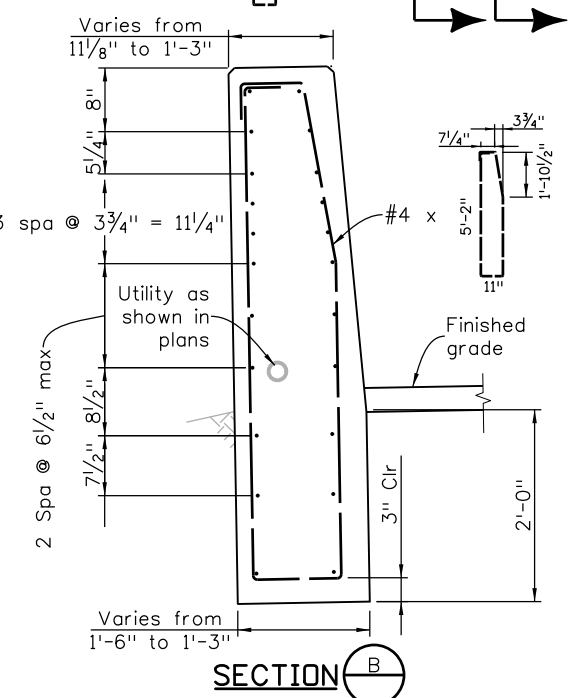
PLAN



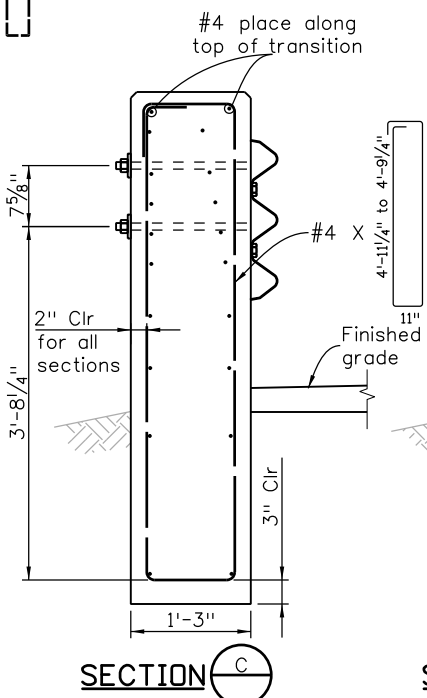
ELEVATION



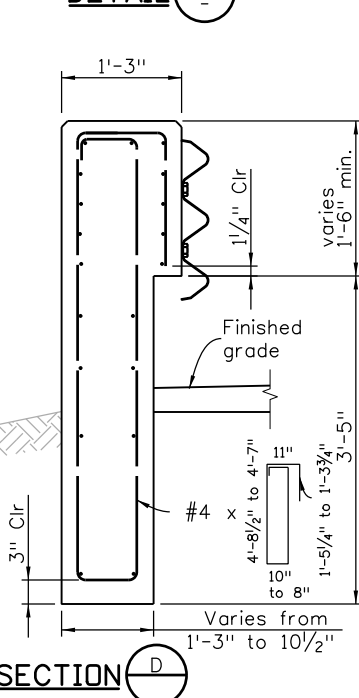
SECTION A



SECTION B



SECTION C



SECTION D

Revision Dates (Preliminary Stage Only)

12/19	1/20	5/22	7/22
-------	------	------	------

INITIALS	DESIGN	DATE	DETAIL	DATE	QUANTITY	DATE

\$PLOT_INFO\$

All seals for this set of drawings are applied to the cover page(s)	Print Date: \$DATE\$	<table border="1"> <thead> <tr> <th colspan="3">Sheet Revisions</th> </tr> <tr> <th>Date:</th> <th>Comments</th> <th>Init.</th> </tr> </thead> <tbody> <tr> <td> </td> <td> </td> <td> </td> </tr> </tbody> </table>	Sheet Revisions			Date:	Comments	Init.				<p>Colorado Department of Transportation</p> <p>2829 West Howard Place, 3rd Floor Denver, CO 80204 Phone: 303-512-5989 Phone: FAX: 303-757-9197</p> <p>Staff Bridge Branch</p>	<p>As Constructed</p> <p>No Revisions:</p> <p>Revised:</p> <p>Void:</p>	<p>TRANSITION TYPE BR9-GR3 HEADER VERSION</p> <p>Designer: XXXXXXXX Structure Numbers X-XX-XX</p> <p>Detailer: XXXXXXXX Structure Numbers X-XX-XX</p> <p>Sheet Subset: BRIDGE Subset Sheets: BXX of XXX</p>	<p>Project No./Code</p> <p>Project Number</p> <p>Code</p> <p>Sheet Number</p>
	Sheet Revisions														
Date:	Comments	Init.													
File Name: Sheet_B-606-9_C.dgn	<table border="1"> <tr> <td> </td> <td> </td> <td> </td> </tr> </table>				<p>Initials</p>										