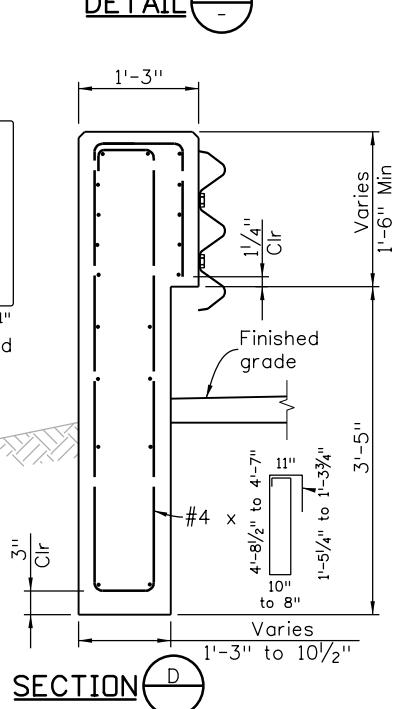
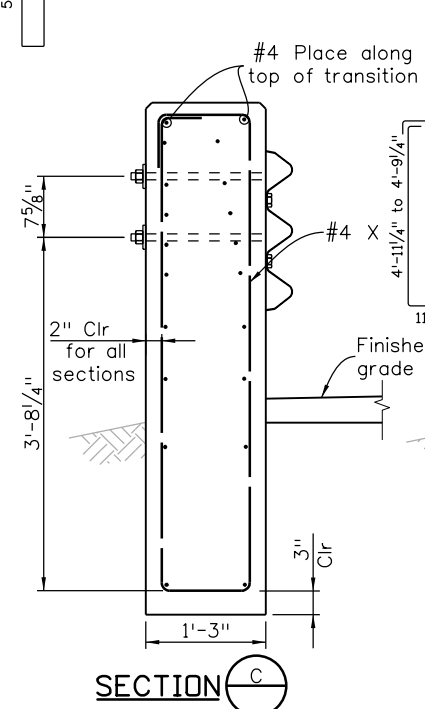
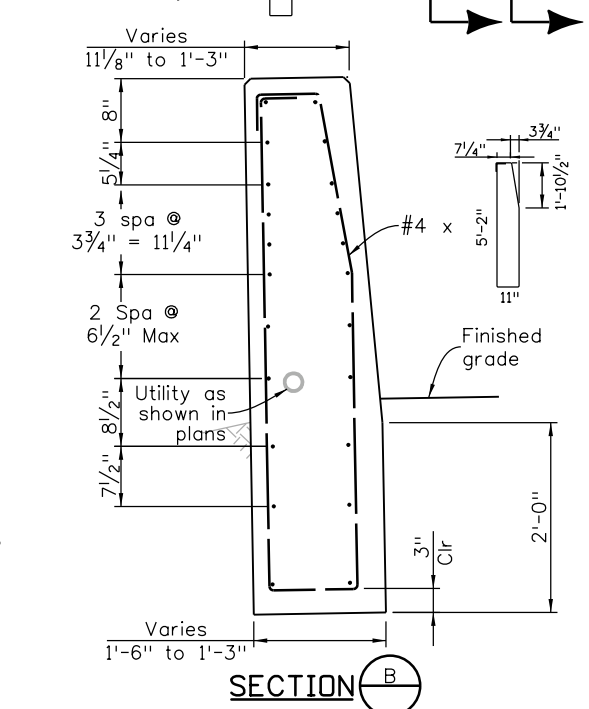
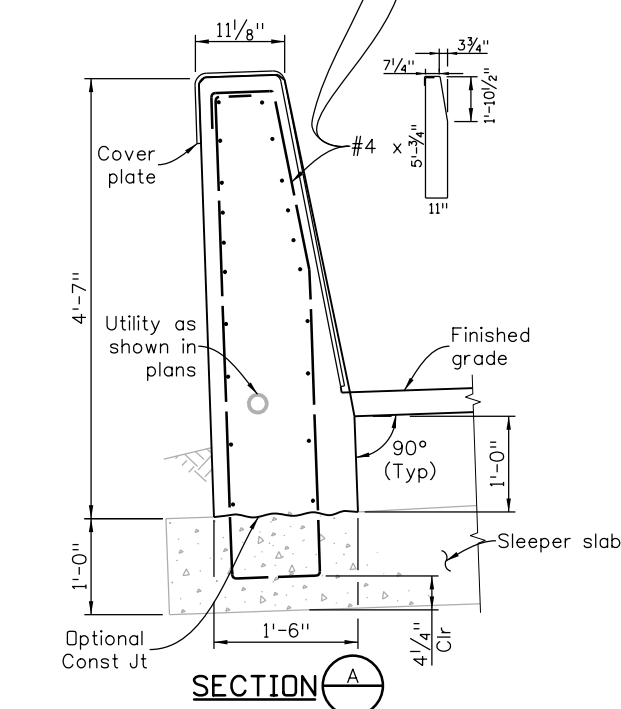
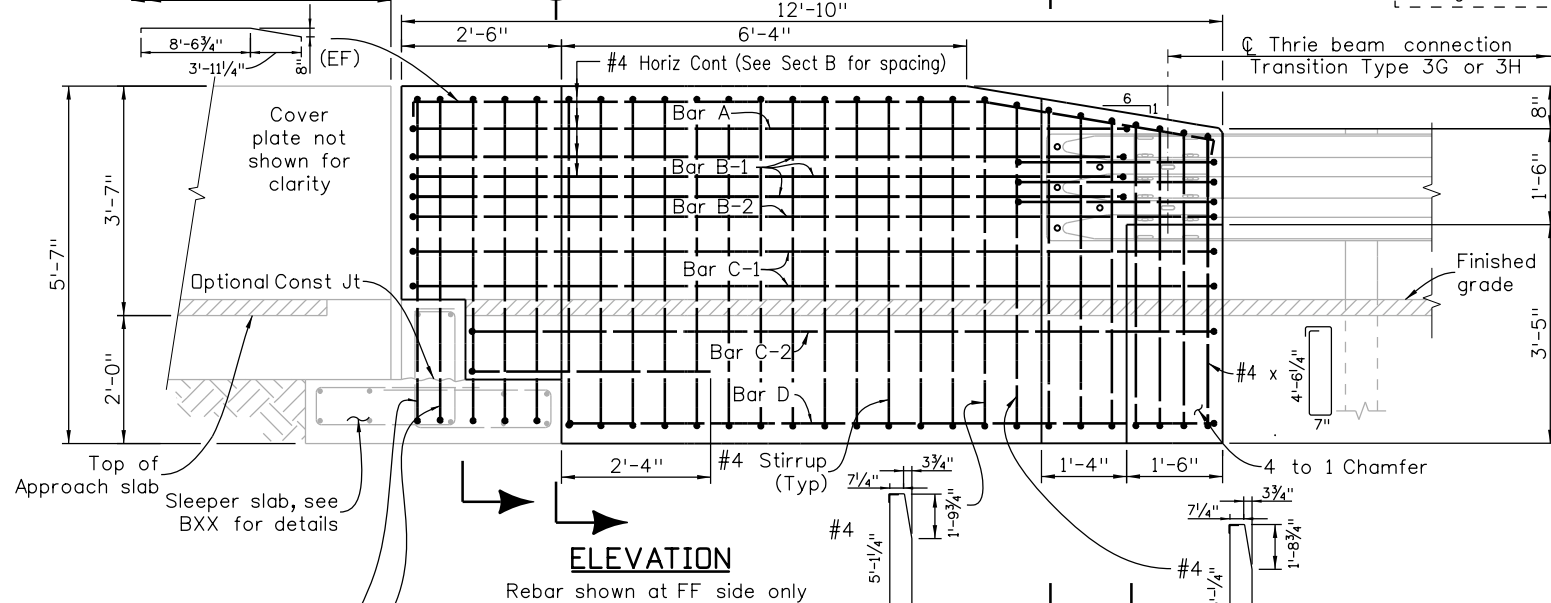
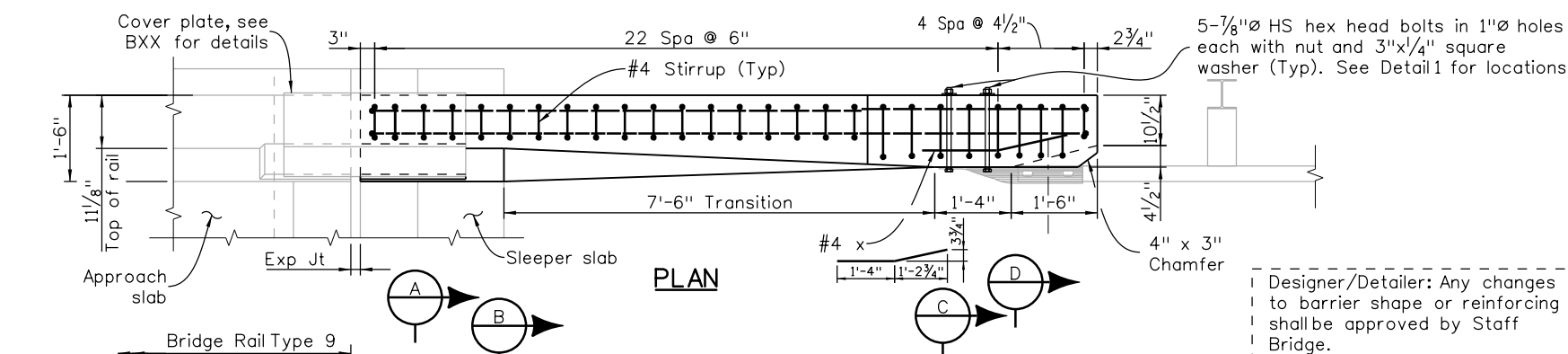


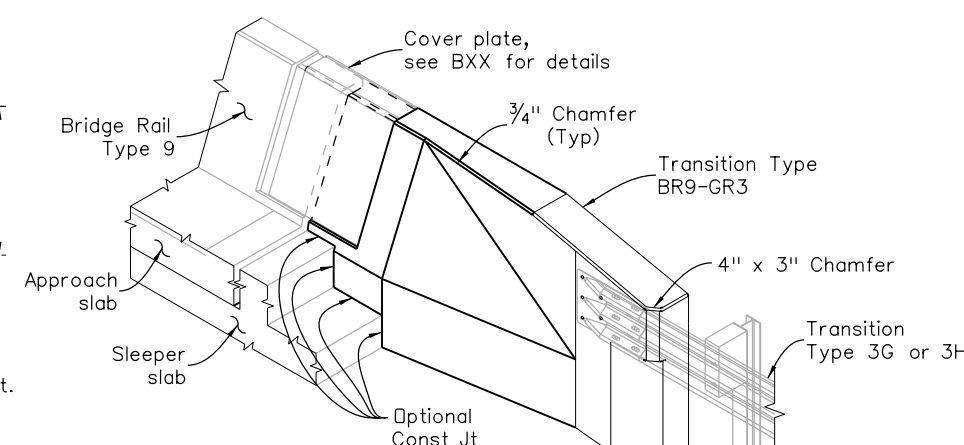
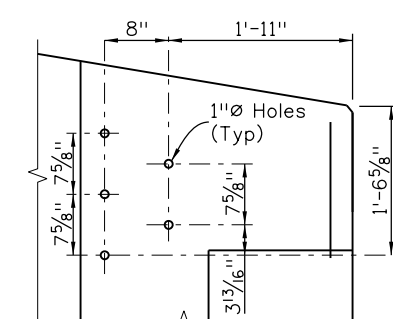
Revision Dates (Preliminary Stage Only)	3/23
12/19	1/20
5/22	7/22

INITIALS	DESIGN	DATE	DETAIL	DATE	QUANTITY	DATE
By						
Checked By						



NOTES:

1. Payment will be made under item 606, Transition Type BR9-GR3, consisting of Concrete Class D with Macrofiber, reinforcing steel, bolts, nuts, washers, and concrete sealer. Excavation and backfill will not be paid for separately, but shall be included in the work.
2. Cover plate shall be included in cost of Bridge Expansion Device.
3. Transitions shall be constructed tapering perpendicular to roadway cross slope. Vertical dimensions are perpendicular to the longitudinal roadway grade.
4. The top, end and inside face of the transition rail shall receive a coating conforming to Item 515, Concrete Sealer, compatible with the concrete coating/stain shown in the plans.
5. Concrete and reinforcing steel shall conform to the requirements of Sections 601 & 606 and 602 respectively unless otherwise noted.
6. All longitudinal reinforcement shall terminate with standard stirrup hooks as shown. Rotate or adjust reinforcing hooks to avoid interferences as required.
7. Rotate or adjust rebars at back face to avoid interference as required.



REINFORCING DIMENSIONS

Bar	H
C-1	10'-11 1/4"
C-2	10'-1 1/4"
D	8'-6 1/4"

Bar A: 10'-11"
 Bar B-1: 11'-0" R=3"
 Bar B-2: 12'-6" R=3"
 Bar C-1, C-2, D: 1'-6 3/4" R=3"
 10" H 4 1/4"

INFORMATION ONLY

Description	Unit	Each
Structural Steel (Galvanized)	LB	19
Concrete Sealer	SY	9.6
Concrete Class D with Macrofiber	CY	3.1
Reinforcing Steel (Epoxy Coated)	LB	414

DESIGN DATA:

Reinforcing Steel: $f_y = 60$ KSI Min
 Concrete: Class D with Macrofiber $f'_c = 4.5$ KSI
 All reinforcing bends shown shall use a 4D pin diameter.

All seals for this set of drawings are applied to the cover page(s)	Print Date: \$DATE\$	Sheet Revisions		<p>Colorado Department of Transportation 2829 West Howard Place, 3rd Floor Denver, CO 80204 Phone: 303-512-5989 Phone: FAX: 303-757-9197</p>	As Constructed	TRANSITION TYPE BR9-GR3 HEADER VERSION		Project No./Code
	File Name: Sheet_B-606-9C.dgn	Date:	Comments			Init.	No Revisions:	
	Horiz. Scale: Not to Scale Vert. Scale: As Noted				Revised:	Designer: XXXXXXXX	Structure Numbers: X-XX-XX	Code
	Unit Information Unit Leader Initials				Void:	Detailer: XXXXXXXX	Subset Sheets: BXX of XXX	Sheet Number