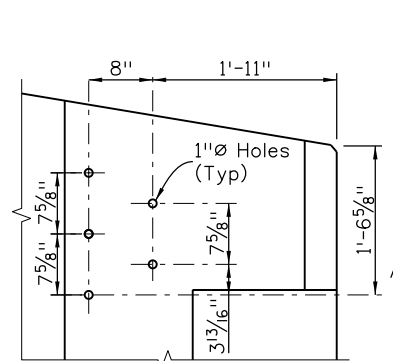
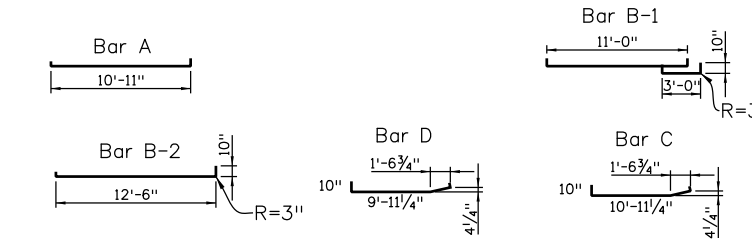
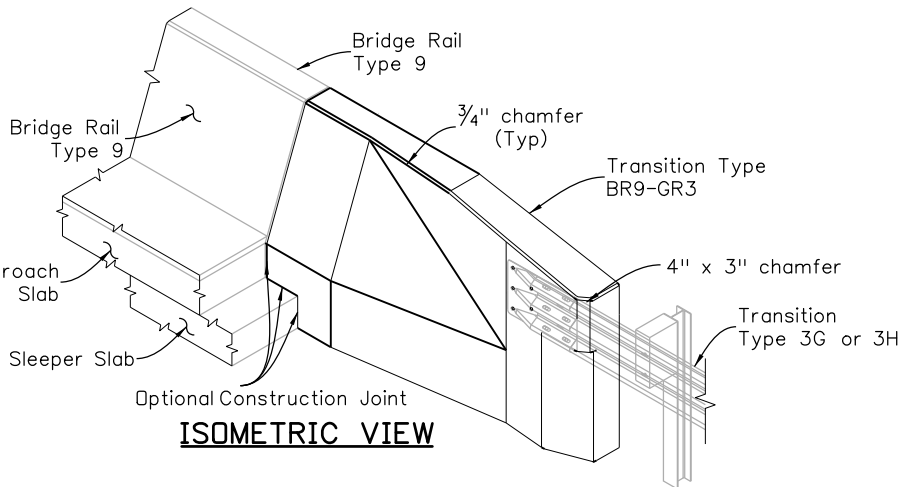


**NOTES:**

1. Payment will be made under item 606, Transition Type BR9-GR3, consisting of Concrete (Class D with Macrofiber), reinforcing steel, standard galvanized pipes, dowels, concrete sealer, bolts, nuts, washers, and expansion joint material. The poured joint, expansion joint material, excavation and backfill will not be paid for separately, but shall be included in the work.
2. Transitions shall be constructed tapering perpendicular to bridge cross slope (bridge rail side) to plumb (3G/3H side). Vertical dimensions are perpendicular to the longitudinal roadway grade.
3. The top, end and inside face of the transition rail shall receive a coating conforming to Item 515, Concrete Sealer, compatible with the concrete coating/stain shown in the plans.
4. Concrete and reinforcing steel shall conform to the requirements of Sections 601 & 606 and 602 respectively unless otherwise noted.
5. All longitudinal reinforcement shall terminate with standard stirrup hooks as shown. Rotate or adjust reinforcing hooks to avoid interferences as required.
6. Rotate or adjust rebars at backface to avoid interference as required.



Note: Holes shall be cored through concrete or 1" inside diameter full depth inserts placed before concrete placement.



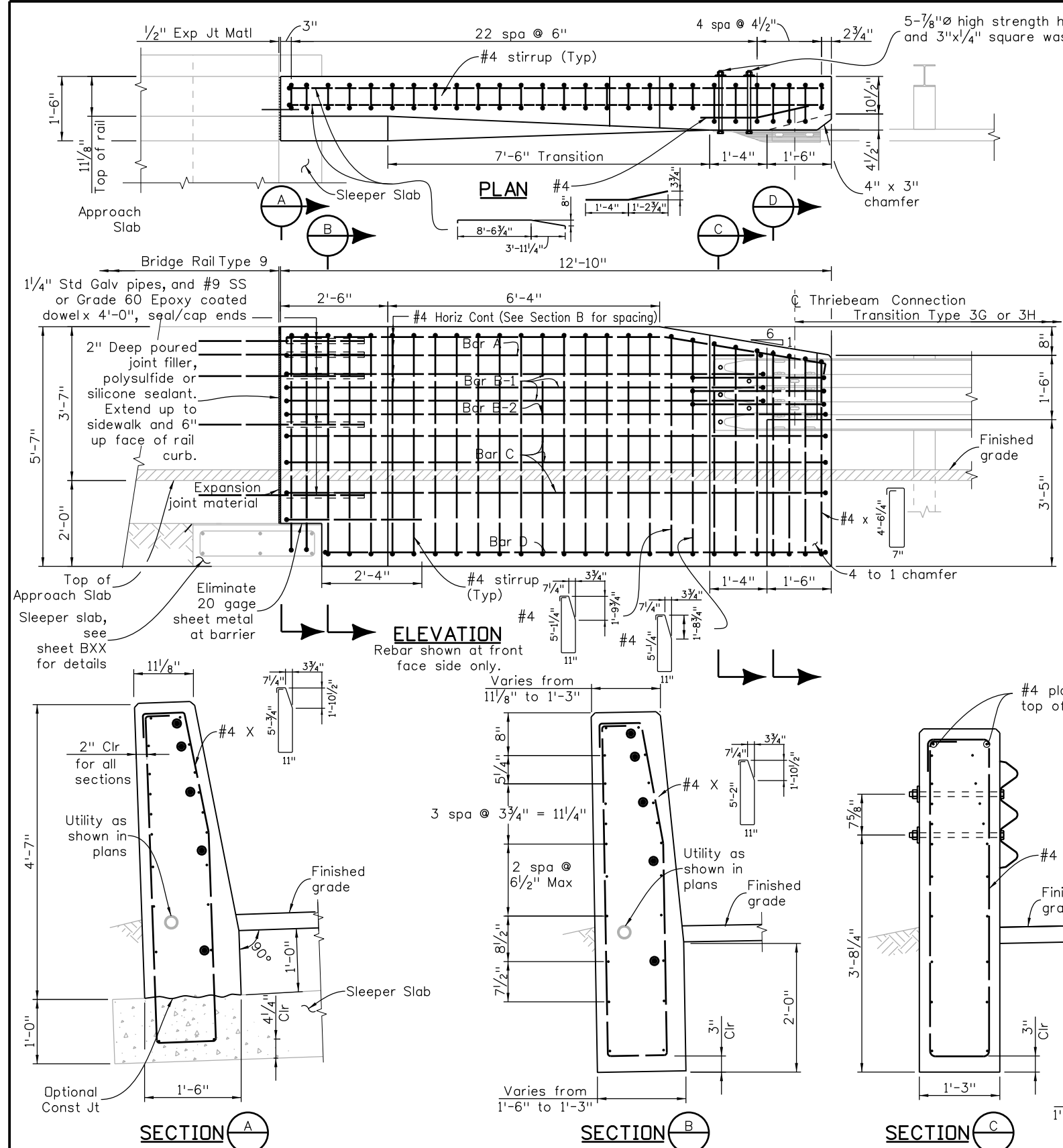
**REINFORCING DIMENSIONS**

**DESIGN DATA:**

Reinforcing Steel:  
fy = 60 ksi Min  
  
Concrete: Class D with Macrofiber f'c = 4.5 ksi  
  
All reinforcing bends shown shall use a 4D pin diameter.

**INFORMATION ONLY**

Description	Unit	Each
Structural Steel (Galvanized)	Lb	42
Concrete Sealer	SY	10.0
Concrete Class D with Macrofiber	CY	3.4
Reinforcing Steel (Epoxy Coated)	Lb	485



Revision Dates (Preliminary Stage Only)	DATE	BY	CHECKED BY
12/19	1/20	5/22	7/22

INITIALS	DESIGN	DATE	DETAIL	DATE	QUANTITY	DATE
By						
Checked By						

\$PLOT\_INFO\$

All seals for this set of drawings are applied to the cover page(s)	Print Date: \$DATE\$	<b>Sheet Revisions</b>		<p>Colorado Department of Transportation 2829 West Howard Place, 3rd Floor Denver, CO 80204 Phone: 303-512-5989 Phone: FAX: 303-757-9197</p>	<b>As Constructed</b> No Revisions:  Revised:  Void:	<b>TRANSITION TYPE BR9-GR3 SLEEPER VERSION</b>				Project No./Code	
	File Name: Sheet_B-606-9_D.dgn	Date:	Comments:							Init.:	Project Number
	Horiz. Scale: 1:1 Vert. Scale: As Noted					Designer: XXXXXXXX	Structure Numbers: X-XX-XX	Code			
	Unit Information Unit Leader Initials					Detailer: XXXXXXXX	Subset Sheets: BXX of XXX	Sheet Number			